

Rotary switch plastic 3 position Spring return from Left to centre



- D7 pilot devices offer maximum flexibility and a wide choice for all 22.5mm operator applications with all type (e-stops, selector switches, pushbuttons, pilot lights and more), colour and contact configurations.
- Aesthetically appealing and modularly designed to make assembly and interchangeability easy.
- Operators exhibit low profile and stylish appearance while maintaining the rugged performance necessary for demanding environments
- D7P is a plastic operator with a captive black plastic front bezel. Constructed of high-grade thermoplastics, the D7P is suitable for almost all environments and strong chemical resistance.
- D7M has a die-cast zinc housing and mounting ring for rugged durability. Finished with corrosion resistant chrome plating, the D7M also features a captive shiny metal bezel for a polished appearance.

Representative Photo Only
(actual product may vary based on configuration selections)

SPECIFICATIONS

| | |
|--|---|
| Product Series | D7P |
| Component Type Pushbutton and Pilot Lights | Selector Switch |
| Operator Type | Selector Switch, Knob, 3-Position type |
| Number of Positions | 3 |
| Operator Positions (from Vertical) | 0° 60° -60° |
| Operator Action, Left | Spring Return from Left |
| Operator Action, Right | Latched / Maintained |
| Colour, Operator | Black colour |
| Material, Operator | TP (Thermoplastic) material |
| Colour, Operator Insert | White |
| Material, Bezel | Glass-Filled Nylon / PA6 / PA66 (Polyamide 6) |
| Coupling Plate Included | No Y / N |
| Material, Latches | Glass-Filled Nylon / PA6 / PA66 (Polyamide 6) |
| Mounting | 22.5mm Mounting |
| Colour, Handle | White colour |
| Contact Block Included | No |
| Tightening Torque, Nominal | 1.7 Nm |
| Mechanical Service Life | 300000 cycles |
| RoHS Approved | Yes |
| CE Marked | Yes |
| Operating Temperature, Max | 70 °C max |
| Operating Temperature, Min | -25 °C min |
| Storage Temperature, Max | 85 °C max |
| Storage Temperature, Min | -40 °C min |
| Relative humidity, min | 50 %RH |
| Relative Humidity, Max | 95 %RH |

Catalogue No: **D7P-SL32**

SELECTOR SW 22.5mm PLASTIC 3 POSITION SR L WHITE

Operator Control Devices > Pushbuttons and Control Switches > Pushbuttons and Pilot Lights > Sprecher + Schuh D7 Pushbuttons and Pilot Lights > D7 Selector and Key Selector Switches > Short Lever Type Selector Switch Components



| | |
|--|--|
| IP Rating | IP66 IP65 |
| Shock Acceleration (Max.) | 100 g |
| Shock Duration (Max.) | 11 ms |
| Vibration Acceleration (Max.) | 10 m/s ² |
| Vibration Displacement (Peak to Peak Max.) | 1.52 mm |
| Vibration Frequency, Operational (Max.) | 2000 Hz |
| Vibration Duration (Max.) | 180 min |
| Standards Compliance | NEMA ICS-5 UL 508 EN 60947-1 EN 60947-5-1 EN 60947-5-5 EN 418 |
| Certifications | UL UR CSA CCC CE |
| Shipping Approvals | RINA (Registro Italiano Navale) ABS (American Bureau of Shipping) Lloyd's Register of Shipping |

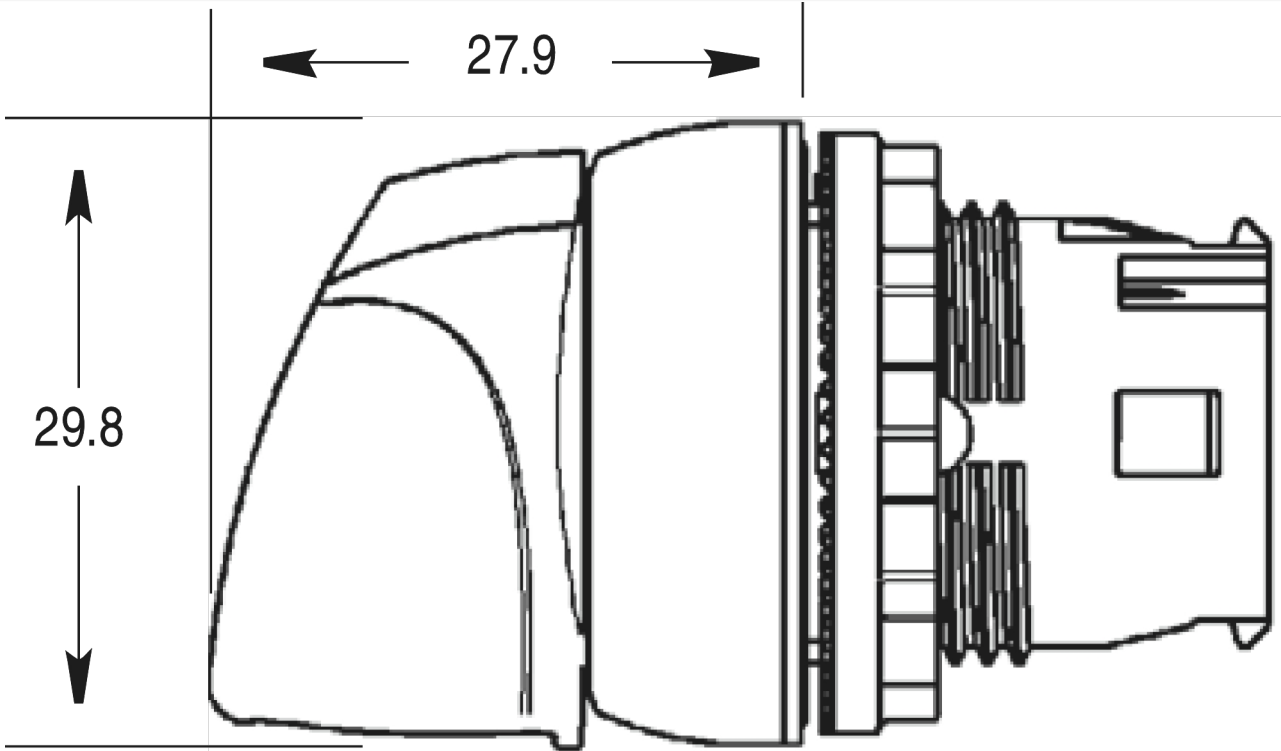
REFERENCES

| | |
|---|--|
| IECEX Certificate | - |
| Supplier Declaration of Conformity: | - |
| Installation Guide: | - |
| User Manual: | - |
| Manufacturer Datasheet: | Series D7 Manufacturer Datasheet |
| Manufacturer Catalogue & Product Selection: | - |

Catalogue No: **D7P-SL32**

SELECTOR SW 22.5mm PLASTIC 3 POSITION SR L WHITE

Operator Control Devices > Pushbuttons and Control Switches > Pushbuttons and Pilot Lights > Sprecher + Schuh D7
Pushbuttons and Pilot Lights > D7 Selector and Key Selector Switches > Short Lever Type Selector Switch Components



Dimension Diagram