



Representative Photo Only  
(actual product may vary based on configuration selections)

Button plastic flush illuminated momentary Clear

- D7 pilot devices offer maximum flexibility and a wide choice for all 22.5mm operator applications with all type (e-stops, selector switches, pushbuttons, pilot lights and more), colour and contact configurations.
- Aesthetically appealing and modularly designed to make assembly and interchangeability easy.
- Operators exhibit low profile and stylish appearance while maintaining the rugged performance necessary for demanding environments
- D7P is a plastic operator with a captive black plastic front bezel. Constructed of high-grade thermoplastics, the D7P is suitable for almost all environments and strong chemical resistance.
- D7M has a die-cast zinc housing and mounting ring for rugged durability. Finished with corrosion resistant chrome plating, the D7M also features a captive shiny metal bezel for a polished appearance.

**SPECIFICATIONS**

|  |   |
|--|---|
| Component Type Pushbutton and Pilot Lights | Pushbutton                                    |
| Operator Type                              | Pushbutton, Flush, Illuminated type           |
| Operator Action                            | Momentary action                              |
| Diameter, Operator                         | 29.6 mm                                       |
| Colour, Operator                           | White colour                                  |
| Operator Insert Type                       | White insert                                  |
| Material, Bezel                            | Glass-Filled Nylon / PA6 / PA66 (Polyamide 6) |
| Coupling Plate Included                    | No Y / N                                      |
| Diameter, Mounting Hole(s)                 | 22.5 mm                                       |
| Contact Block Included                     | No  |
| Illuminated                                | Yes Y / N                                     |
| Lamp Module Included                       | No  |
| Tightening Torque, Nominal                 | 1.7 Nm  |
| Electrical Service Life at Un, In          | 500000 cycles                                 |
| Mechanical Service Life                    | 10000000 cycles                               |
| RoHS Approved                              | Yes   |
| CE Marked                                  | Yes   |
| Operating Temperature, Max                 | 70 °C max                                     |
| Operating Temperature, Min                 | -25 °C min                                    |
| Storage Temperature, Max                   | 85 °C max                                     |
| Storage Temperature, Min                   | -25 °C min                                    |
| Relative humidity, min                     | 50 %RH  |
| Relative Humidity, Max                     | 95 %RH  |
| IP Rating                                  | IP66<br>IP65                                  |
| Shock Acceleration (Max.)                  | 100 g   |
| Shock Duration (Max.)                      | 11 ms   |
| Vibration Acceleration (Max.)              | 10 m/s <sup>2</sup>                           |

# Catalogue No: **D7P-LF7**

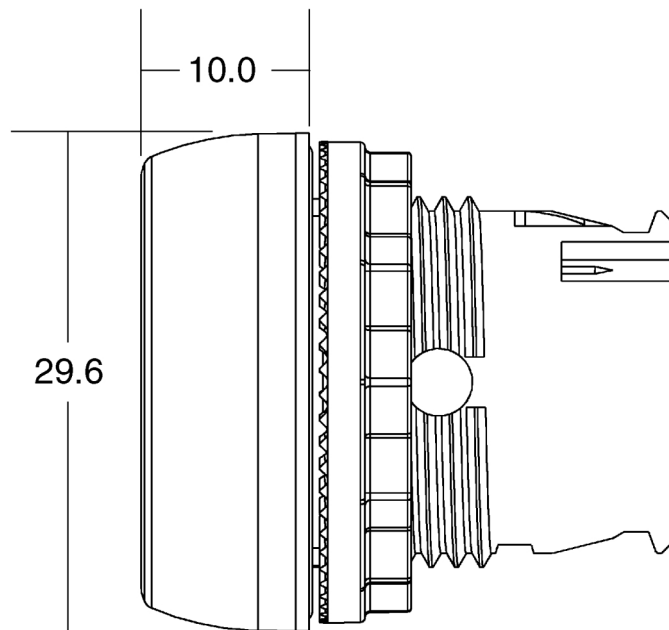
## PUSHBUTTON 22.5mm PLASTIC FLUSH ILLUM CLEAR

Operator Control Devices > Pushbuttons and Control Switches > Pushbuttons and Pilot Lights > Sprecher + Schuh D7 Pushbuttons and Pilot Lights > D7 Momentary Pushbuttons > D7 Flush Momentary Pushbuttons



|  |  |
|--|--|
| Vibration Displacement (Peak to Peak Max.) | 1.52 mm  |
| Vibration Frequency, Operational (Max.)    | 2000 Hz  |
| Vibration Duration (Max.)                  | 180 min  |
| Standards Compliance                       | NEMA ICS-5<br>UL 508<br>EN 60947-1<br>EN 60947-5-1<br>EN 60947-5-5<br>EN 418                         |
| Certifications                             | UL<br>UR<br>CSA<br>CCC<br>CE   |
| Shipping Approvals                         | RINA (Registro Italiano Navale)<br>ABS (American Bureau of Shipping)<br>Lloyd's Register of Shipping |

| REFERENCES                                  |  |
|---|--|
| IECEX Certificate                           | -  |
| Supplier Declaration of Conformity:         | -  |
| Installation Guide:                         | -  |
| User Manual:                                | -  |
| Manufacturer Datasheet:                     | <a href="#">Series D7_Manufacturer Datasheet</a> |
| Manufacturer Catalogue & Product Selection: | -  |



Dimension Diagram