

Catalogue No: **D7-P25**

PENDANT STATION 22.5mm EMPTY 2 HOLE YELLOW

Operator Control Devices > Pushbuttons and Control Switches > Pushbuttons and Pilot Lights > Sprecher + Schuh D7 Pushbuttons and Pilot Lights > D7 Enclosed Pushbutton Stations > D7 Empty Enclosures



Representative Photo Only
(actual product may vary based on configuration selections)

Enclosure pendant Yellow 2 hole

- D7 pilot devices offer maximum flexibility and a wide choice for all 22.5mm operator applications with all type (e-stops, selector switches, pushbuttons, pilot lights and more), colour and contact configurations.
- Aesthetically appealing and modularly designed to make assembly and interchangeability easy.
- Operators exhibit low profile and stylish appearance while maintaining the rugged performance necessary for demanding environments
- D7P is a plastic operator with a captive black plastic front bezel. Constructed of high-grade thermoplastics, the D7P is suitable for almost all environments and strong chemical resistance.
- D7M has a die-cast zinc housing and mounting ring for rugged durability. Finished with corrosion resistant chrome plating, the D7M also features a captive shiny metal bezel for a polished appearance.

SPECIFICATIONS

Product Series	D7 22.5mm Control & Indication
Component Type Pushbutton and Pilot Lights	Pushbutton Station Enclosure
Height	149 mm
Width	60 mm
Depth	81 mm
Conduit Entry	1 x M20 entry
Operator Cutout(s)	2 x 22.5mm cutouts
Material, Body / Housing	Polycarbonate & PBT Blend material
Colour, Body / Housing	Yellow colour
RoHS Approved	Yes
CE Marked	Yes
Operating Temperature, Max	70 °C max
Operating Temperature, Min	-25 °C min
Storage Temperature, Max	85 °C max
Storage Temperature, Min	-25 °C min
Relative humidity, min	50 %RH
Relative Humidity, Max	95 %RH
IP Rating	IP66 IP65
Shock Acceleration (Max.)	100 g
Shock Duration (Max.)	11 ms
Vibration Acceleration (Max.)	10 m/s ²
Vibration Displacement (Peak to Peak Max.)	1.52 mm
Vibration Frequency, Operational (Max.)	2000 Hz
Vibration Duration (Max.)	180 min

Catalogue No: **D7-P25**

PENDANT STATION 22.5mm EMPTY 2 HOLE YELLOW

Operator Control Devices > Pushbuttons and Control Switches > Pushbuttons and Pilot Lights > Sprecher + Schuh D7
Pushbuttons and Pilot Lights > D7 Enclosed Pushbutton Stations > D7 Empty Enclosures



Standards Compliance

NEMA ICS-5
UL 508
EN 60947-1
EN 60947-5-1
EN 60947-5-5
EN 418

Certifications

UL
UR
CSA
CCC
CE

Shipping Approvals

RINA (Registro Italiano Navale)
ABS (American Bureau of Shipping)
Lloyd's Register of Shipping

REFERENCES

IECEX Certificate -

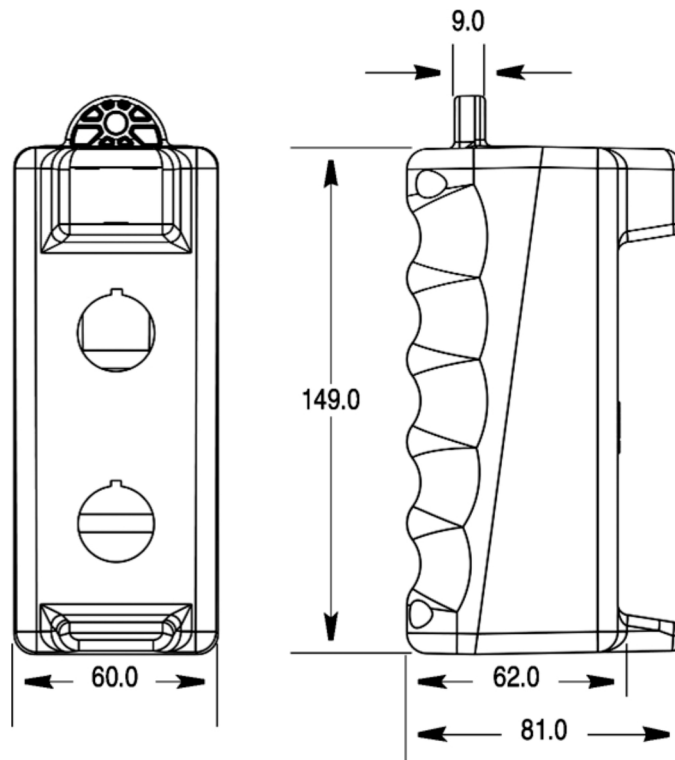
Supplier Declaration of Conformity: -

Installation Guide: -

User Manual: -

Manufacturer Datasheet: [Series D7_Manufacturer Datasheet](#)

Manufacturer Catalogue & Product Selection: -



Dimension Diagram