

Catalogue No: **D7-N7W**
LAMP MODULE LED 240VAC WHITE

Operator Control Devices > Pushbuttons and Control Switches > Pushbuttons and Pilot Lights > Sprecher + Schuh D7 Pushbuttons and Pilot Lights > D7 Lamp Modules for use with Pilot Lights > Integrated LED Modules, 240V AC



Representative Photo Only
 (actual product may vary based on configuration selections)

Integrated LED lamp block White 240V AC

- The D7 range of 22.5mm operator control devices includes a diverse range of products making it suitable for use in a wide range of applications. Products in the range include pushbuttons, selector switches, pilot lights, emergency stop operators and more.
- Aesthetically appealing and modularly designed to make assembly and interchangeability easy.
- Operators exhibit low profile and stylish appearance while maintaining the rugged performance necessary for demanding environments
- Operators are available in both plastic (D7P) and metal (D7M) variants.

SPECIFICATIONS

Product Series	D7 22.5mm Control & Indication
Component Type Pushbutton and Pilot Lights	Lamp Module
Un, Nominal Operational Voltage, AC	240 V AC
U _{bmin} , Service Voltage, AC, Min	180 V AC
U _{bmax} , Service Voltage, AC, Max	264 V AC
I _n , Rated Current	0.022 A
Rated Frequency	50 / 60 Hz
Lamp Type	LED type
Lamp Holder	Integrated Lamp Module
Colour, Lamp	White colour
Luminous Intensity	412 mcd
Material, Body / Housing	Glass-Filled Nylon / PA6 / PA66 (Polyamide 6) material
Material, Spring	Stainless Steel
Material, Contacts	Silver Nickel (AgNi) material
Material, Terminal	Brass
Terminal Type	Screw Terminal(s)
Tightening Torque, Min	0.7 Nm
Tightening Torque, Max	0.9 Nm
RoHS Approved	Yes
CE Marked	Yes
Operating Temperature, Max	70 °C max
Operating Temperature, Min	-25 °C min
Storage Temperature, Max	85 °C max
Storage Temperature, Min	-25 °C min
Relative Humidity, Min	50 %RH
Relative Humidity, Max	95 %RH
Shock Acceleration (Max.)	100 g
Shock Duration (Max.)	11 ms

Catalogue No: **D7-N7W**

LAMP MODULE LED 240VAC WHITE

Operator Control Devices > Pushbuttons and Control Switches > Pushbuttons and Pilot Lights > Sprecher + Schuh D7
Pushbuttons and Pilot Lights > D7 Lamp Modules for use with Pilot Lights > Integrated LED Modules, 240V AC

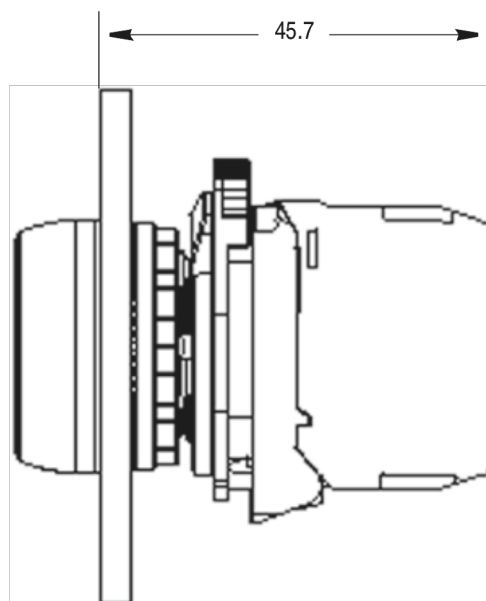


Vibration Acceleration (Max.)	10 m/s ²
Vibration Displacement (Peak to Peak Max.)	1.52 mm
Vibration Frequency, Operational (Max.)	2000 Hz
Vibration Duration (Max.)	180 min
Standards Compliance	NEMA ICS-5 UL 508 EN 60947-1 EN 60947-5-1 EN 60947-5-5 EN 418
Certifications	UL UR CSA CCC CE
Shipping Approvals	RINA (Registro Italiano Navale) ABS (American Bureau of Shipping) Lloyd's Register of Shipping

REFERENCES

IECEX Certificate	-
Supplier Declaration of Conformity:	-
Installation Guide:	-
User Manual:	-
Manufacturer Datasheet:	Series D7_Manufacturer Datasheet
Manufacturer Catalogue & Product Selection:	-

Back-of-Panel Components — LED Module with Latch (D7-N/Q & D7-ALP/M)



Dimension Diagram

Catalogue No: **D7-N7W**

LAMP MODULE LED 240VAC WHITE

Operator Control Devices > Pushbuttons and Control Switches > Pushbuttons and Pilot Lights > Sprecher + Schuh D7
Pushbuttons and Pilot Lights > D7 Lamp Modules for use with Pilot Lights > Integrated LED Modules, 240V AC

