

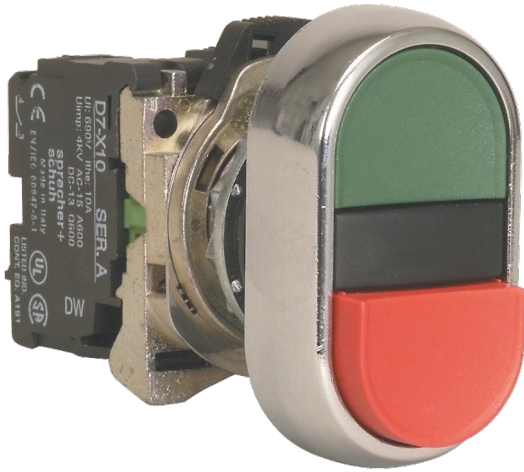
Catalogue No: **D7M-U2E4F3MX11**

PUSHBUTTON 22.5mm METAL MULTI 2 BUTTON BLANK 1NC 1NO

Operator Control Devices > Pushbuttons and Control Switches > Pushbuttons and Pilot Lights > Sprecher + Schuh D7 Pushbuttons and Pilot Lights > Multi-Function Momentary Pushbuttons (Fully Assembled Units) > Complete Multifunction Momentary PushButtons



Button dual metal blank 1N/O 1N/C



Representative Photo Only
(actual product may vary based on configuration selections)

- The D7 range of 22.5mm operator control devices includes a diverse range of products making it suitable for use in a wide range of applications. Products in the range include pushbuttons, selector switches, pilot lights, emergency stop operators and more.
- Aesthetically appealing and modularly designed to make assembly and interchangeability easy.
- Operators exhibit low profile and stylish appearance while maintaining the rugged performance necessary for demanding environments
- Operators are available in both plastic (D7P) and metal (D7M) variants.

SPECIFICATIONS

Component Type Pushbutton and Pilot Lights	Multi-Function
Operator Type	Multi-Function Pushbutton, 2-Position type
Operator Type, Top	Pushbutton, Flush
Operator Type, Centre	Colour Cap / Diffuser, Flush
Operator Type, Bottom	Pushbutton, Extended
Operator Action, Top	Momentary
Operator Action, Bottom	Momentary
Operator Colour, Top	Green
Operator Colour, Centre	Black
Operator Colour, Bottom	Red
Operator Material, Top	Plastic
Operator Material, Centre	Plastic
Operator Material, Bottom	Plastic
Operator Insert Top	Green insert
Operator Insert, Bottom	Red insert
Material, Bezel	Zinc
Coupling Plate Included	Yes Y / N
Material, Coupling Plate	Chromated Zinc & Stainless Steel
Contact Block Included	Yes
Contact Configuration	1 NO + 1 NC EB 1st Contact
In, Rated Current	10 A
Ie, Rated Operational Current, AC-1, 240V	10 A@240V
Ie, Rated Operational Current, AC-15, 110-120V	6 A@110-120V
Ie, Rated Operational Current, AC-15, 240V	3 A@240V
Ie, Rated Operational Current, AC-15, 415V	2.2 A@415V
Ie, Rated Operational Current, DC-13, 125V	0.6 A@125V
Mounting	22.5mm Mounting
Ui, Rated Insulation Voltage	680 V (rms)

Catalogue No: **D7M-U2E4F3MX11**

PUSHBUTTON 22.5mm METAL MULTI 2 BUTTON BLANK 1NC 1NO

Operator Control Devices > Pushbuttons and Control Switches > Pushbuttons and Pilot Lights > Sprecher + Schuh D7 Pushbuttons and Pilot Lights > Multi-Function Momentary Pushbuttons (Fully Assembled Units) > Complete Multifunction Momentary PushButtons



Compatible Product Series	D7 22.5mm Control & Indication compatible
Material, Contacts	Silver Nickel (AgNi) material
Terminal Type	Screw Terminal(s)
Material, Terminal	Brass
Tightening Torque, Min	0.7 Nm
Tightening Torque, Max	0.9 Nm
Operating Force	5 N
Pickup Voltage	17 V
Pickup Current	5 mA
I _{th} , Thermal Current, Open	10 A
Wire / Conductor Size (Min)	0.75 mm ² min
Wire / Conductor Size (Max)	2.5 mm ²
Dielectric Strength	2.5kV for 1 minute V AC
Recommended Fuse Current Rating	10 A
Fuse Characteristic Type(s)	gL/gG
Illuminated (Centre Only)	No Y / N
Tightening Torque, Nominal	4.4 Nm
Electrical Service Life at Un, In	500000 cycles
Mechanical Service Life	10000000 cycles
RoHS Approved	Yes
CE Marked	Yes
Operating Temperature, Max	70 °C max
Operating Temperature, Min	-25 °C min
Storage Temperature, Max	85 °C max
Storage Temperature, Min	-25 °C min
Relative Humidity, Min	50 %RH
Relative Humidity, Max	95 %RH
IP Rating	IP65 IP66
Shock Acceleration (Max.)	100 g
Shock Duration (Max.)	11 ms
Vibration Acceleration (Max.)	10 m/s ²
Vibration Displacement (Peak to Peak Max.)	1.52 mm
Vibration Frequency, Operational (Max.)	2000 Hz
Vibration Duration (Max.)	180 min
Standards Compliance	NEMA ICS-5 UL 508 EN 60947-1 EN 60947-5-1 EN 60947-5-5 EN 418
Certifications	UL UR CSA CCC CE
Shipping Approvals	RINA (Registro Italiano Navale) ABS (American Bureau of Shipping) Lloyd's Register of Shipping

Catalogue No: **D7M-U2E4F3MX11**

PUSHBUTTON 22.5mm METAL MULTI 2 BUTTON BLANK 1NC 1NO

Operator Control Devices > Pushbuttons and Control Switches > Pushbuttons and Pilot Lights > Sprecher + Schuh D7 Pushbuttons and Pilot Lights > Multi-Function Momentary Pushbuttons (Fully Assembled Units) > Complete Multifunction Momentary PushButtons



REFERENCES

IECEX Certificate -

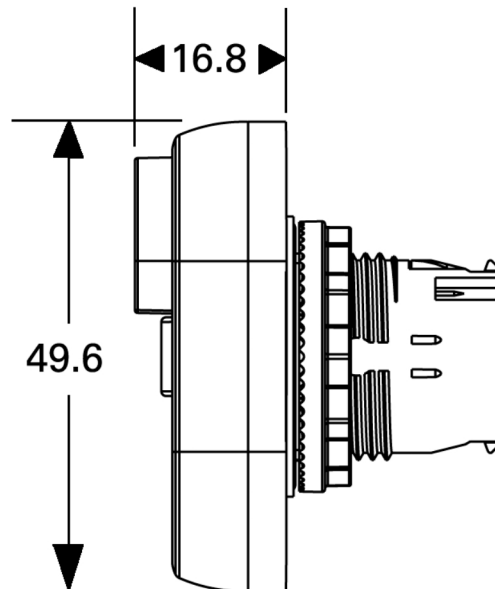
Supplier Declaration of Conformity: -

Installation Guide: -

User Manual: -

Manufacturer Datasheet: [Series D7_Manufacturer Datasheet](#)

Manufacturer Catalogue & Product Selection: -



Dimension Diagram