

# Catalogue No: **D7M-SR22**

## SELECTOR SW 22.5mm METAL 2 POSITION SR R WHITE

Operator Control Devices > Pushbuttons and Control Switches > Pushbuttons and Pilot Lights > Sprecher + Schuh D7 Pushbuttons and Pilot Lights > D7 Selector and Key Selector Switches > Short Lever Type Selector Switch Components



### Rotary switch metal 2 position Spring return from right



Representative Photo Only  
(actual product may vary based on configuration selections)

- D7 pilot devices offer maximum flexibility and a wide choice for all 22.5mm operator applications with all type (e-stops, selector switches, pushbuttons, pilot lights and more), colour and contact configurations.
- Aesthetically appealing and modularly designed to make assembly and interchangeability easy.
- Operators exhibit low profile and stylish appearance while maintaining the rugged performance necessary for demanding environments
- D7P is a plastic operator with a captive black plastic front bezel. Constructed of high-grade thermoplastics, the D7P is suitable for almost all environments and strong chemical resistance.
- D7M has a die-cast zinc housing and mounting ring for rugged durability. Finished with corrosion resistant chrome plating, the D7M also features a captive shiny metal bezel for a polished appearance.

#### SPECIFICATIONS

Product Series	D7M
Component Type Pushbutton and Pilot Lights	Selector Switch
Operator Type	Selector Switch, Knob, 2-Position type
Number of Positions	2
Operator Positions (from Vertical)	-30° 30°
Operator Action, Left	Latched / Maintained
Operator Action, Right	Spring Return from Right
Colour, Operator	Black colour
Material, Operator	Zinc Alloy, Die-Cast, Chrome-Plated material
Colour, Operator Insert	White
Material, Bezel	Zinc
Coupling Plate Included	No Y / N
Material, Latches	Glass-Filled Nylon / PA6 / PA66 (Polyamide 6)
Mounting	22.5mm Mounting
Colour, Handle	White colour
Contact Block Included	No
Tightening Torque, Nominal	4.4 Nm
Mechanical Service Life	300000 cycles
RoHS Approved	Yes
CE Marked	Yes
Operating Temperature, Max	70 °C max
Operating Temperature, Min	-25 °C min
Storage Temperature, Max	85 °C max
Storage Temperature, Min	-40 °C min
Relative humidity, min	50 %RH
Relative Humidity, Max	95 %RH
IP Rating	IP66 IP65

# Catalogue No: **D7M-SR22**

## SELECTOR SW 22.5mm METAL 2 POSITION SR R WHITE

Operator Control Devices > Pushbuttons and Control Switches > Pushbuttons and Pilot Lights > Sprecher + Schuh D7 Pushbuttons and Pilot Lights > D7 Selector and Key Selector Switches > Short Lever Type Selector Switch Components



Shock Acceleration (Max.)	100 g
Shock Duration (Max.)	11 ms
Vibration Acceleration (Max.)	10 m/s <sup>2</sup>
Vibration Displacement (Peak to Peak Max.)	1.52 mm
Vibration Frequency, Operational (Max.)	2000 Hz
Vibration Duration (Max.)	180 min
Standards Compliance	NEMA ICS-5 UL 508 EN 60947-1 EN 60947-5-1 EN 60947-5-5 EN 418
Certifications	UL UR CSA CCC CE
Shipping Approvals	RINA (Registro Italiano Navale) ABS (American Bureau of Shipping) Lloyd's Register of Shipping

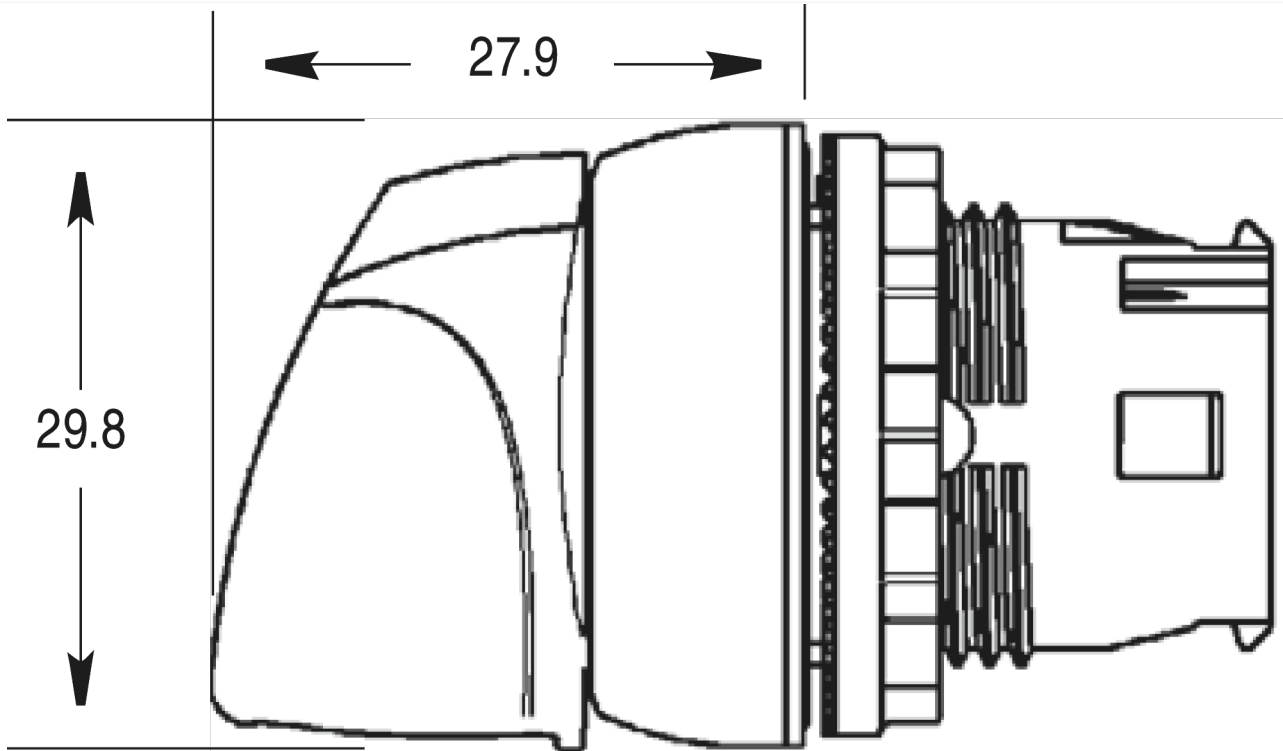
### REFERENCES

IECEX Certificate	-
Supplier Declaration of Conformity:	-
Installation Guide:	-
User Manual:	-
Manufacturer Datasheet:	<a href="#">Series D7_Manufacturer Datasheet</a>
Manufacturer Catalogue & Product Selection:	-

Catalogue No: **D7M-SR22**

**SELECTOR SW 22.5mm METAL 2 POSITION SR R WHITE**

Operator Control Devices > Pushbuttons and Control Switches > Pushbuttons and Pilot Lights > Sprecher + Schuh D7  
Pushbuttons and Pilot Lights > D7 Selector and Key Selector Switches > Short Lever Type Selector Switch Components



Dimension Diagram