

Catalogue No: **D7M-LSM26**

SELECTOR SW 22.5mm METAL 2 POSITION MAINTAINED ILLUM BLUE

Operator Control Devices > Pushbuttons and Control Switches > Pushbuttons and Pilot Lights > Sprecher + Schuh D7 Pushbuttons and Pilot Lights > D7 Selector and Key Selector Switches > Short Lever Type Selector Switch (Components Only)



Rotary switch metal 2 position Blue

- The D7 range of 22.5mm operator control devices includes a diverse range of products making it suitable for use in a wide range of applications. Products in the range include pushbuttons, selector switches, pilot lights, emergency stop operators and more.
- Aesthetically appealing and modularly designed to make assembly and interchangeability easy.
- Operators exhibit low profile and stylish appearance while maintaining the rugged performance necessary for demanding environments
- Operators are available in both plastic (D7P) and metal (D7M) variants.

Representative Photo Only
(actual product may vary based on configuration selections)

SPECIFICATIONS

Product Series	D7M
Component Type Pushbutton and Pilot Lights	Selector Switch
Operator Type	Selector Switch, Knob, 2-Position, Illuminated type
Number of Positions	2
Operator Positions (from Vertical)	-30° 30°
Operator Action, Left	Latched / Maintained
Operator Action, Right	Latched / Maintained
Colour, Operator	Blue colour
Material, Operator	Zinc Alloy, Die-Cast, Chrome-Plated material
Colour, Operator Insert	White
Material, Bezel	Zinc
Coupling Plate Included	No Y / N
Material, Latches	Glass-Filled Nylon / PA6 / PA66 (Polyamide 6)
Mounting	22.5mm Mounting
Colour, Handle	Blue colour
Contact Block Included	No
Illuminated	Yes Y / N
Tightening Torque, Nominal	4.4 Nm
Mechanical Service Life	300000 cycles
RoHS Approved	Yes
CE Marked	Yes
Operating Temperature, Max	70 °C max
Operating Temperature, Min	-25 °C min
Storage Temperature, Max	85 °C max
Storage Temperature, Min	-40 °C min
Relative Humidity, Min	50 %RH
Relative Humidity, Max	95 %RH

Catalogue No: **D7M-LSM26**

SELECTOR SW 22.5mm METAL 2 POSITION MAINTAINED ILLUM BLUE

Operator Control Devices > Pushbuttons and Control Switches > Pushbuttons and Pilot Lights > Sprecher + Schuh D7 Pushbuttons and Pilot Lights > D7 Selector and Key Selector Switches > Short Lever Type Selector Switch (Components Only)



IP Rating	IP65 IP66
Shock Acceleration (Max.)	100 g
Shock Duration (Max.)	11 ms
Vibration Acceleration (Max.)	10 m/s ²
Vibration Displacement (Peak to Peak Max.)	1.52 mm
Vibration Frequency, Operational (Max.)	2000 Hz
Vibration Duration (Max.)	180 min
Standards Compliance	NEMA ICS-5 UL 508 EN 60947-1 EN 60947-5-1 EN 60947-5-5 EN 418
Certifications	UL UR CSA CCC CE
Shipping Approvals	RINA (Registro Italiano Navale) ABS (American Bureau of Shipping) Lloyd's Register of Shipping

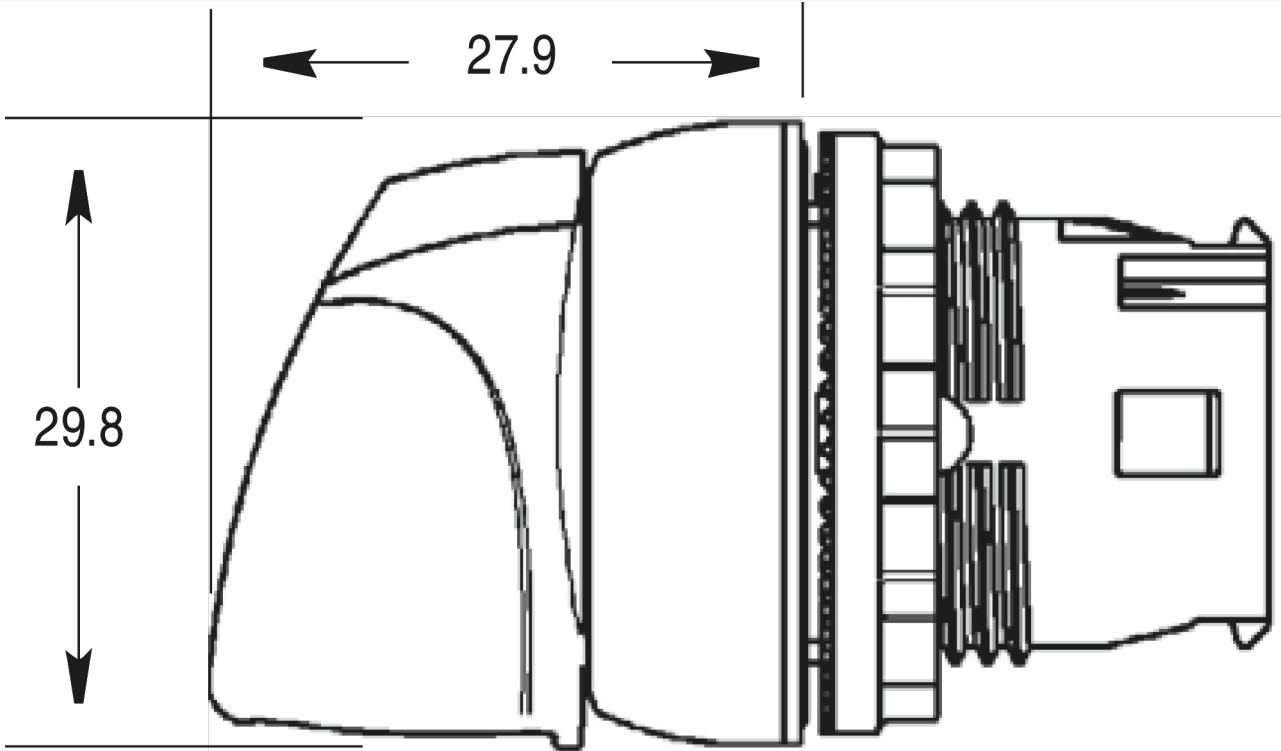
REFERENCES

IECEX Certificate	-
Supplier Declaration of Conformity:	-
Installation Guide:	-
User Manual:	-
Manufacturer Datasheet:	Series D7_Manufacturer Datasheet
Manufacturer Catalogue & Product Selection:	-

Catalogue No: **D7M-LSM26**

SELECTOR SW 22.5mm METAL 2 POSITION MAINTAINED ILLUM BLUE

Operator Control Devices > Pushbuttons and Control Switches > Pushbuttons and Pilot Lights > Sprecher + Schuh D7
Pushbuttons and Pilot Lights > D7 Selector and Key Selector Switches > Short Lever Type Selector Switch (Components
Only)



Dimension Diagram