

Catalogue No: **D7M-LF5**

PUSHBUTTON 22.5mm METAL FLUSH ILLUM YELLOW

Operator Control Devices > Pushbuttons and Control Switches > Pushbuttons and Pilot Lights > Sprecher + Schuh D7 Pushbuttons and Pilot Lights > D7 Momentary Pushbuttons > D7 Flush Momentary Pushbuttons (Components Only)



Button metal flush illuminated momentary Yellow



- The D7 range of 22.5mm operator control devices includes a diverse range of products making it suitable for use in a wide range of applications. Products in the range include pushbuttons, selector switches, pilot lights, emergency stop operators and more.
- Aesthetically appealing and modularly designed to make assembly and interchangeability easy.
- Operators exhibit low profile and stylish appearance while maintaining the rugged performance necessary for demanding environments
- Operators are available in both plastic (D7P) and metal (D7M) variants.

Representative Photo Only
(actual product may vary based on configuration selections)

SPECIFICATIONS

Component Type Pushbutton and Pilot Lights	Pushbutton
Operator Type	Pushbutton, Flush, Illuminated type
Operator Action	Momentary action
Diameter, Operator	29.6 mm
Colour, Operator	Yellow colour
Operator Insert Type	Yellow insert
Material, Bezel	Zinc
Coupling Plate Included	No Y / N
Diameter, Mounting Hole(s)	22.5 mm
Contact Block Included	No
Illuminated	Yes Y / N
Lamp Module Included	No
Tightening Torque, Nominal	4.4 Nm
Electrical Service Life at Un, In	500000 cycles
Mechanical Service Life	10000000 cycles
RoHS Approved	Yes
CE Marked	Yes
Operating Temperature, Max	70 °C max
Operating Temperature, Min	-25 °C min
Storage Temperature, Max	85 °C max
Storage Temperature, Min	-25 °C min
Relative Humidity, Min	50 %RH
Relative Humidity, Max	95 %RH
IP Rating	IP65 IP66 IP69K
Shock Acceleration (Max.)	100 g
Shock Duration (Max.)	11 ms
Vibration Acceleration (Max.)	10 m/s ²

Catalogue No: **D7M-LF5**

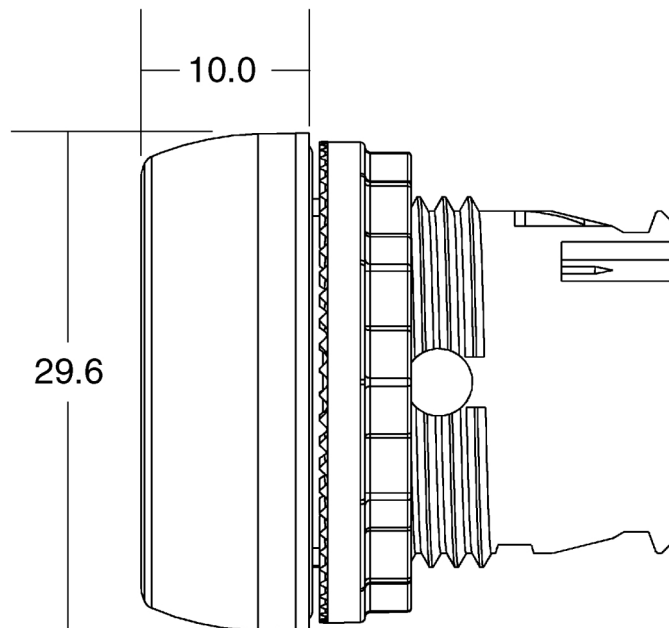
PUSHBUTTON 22.5mm METAL FLUSH ILLUM YELLOW

Operator Control Devices > Pushbuttons and Control Switches > Pushbuttons and Pilot Lights > Sprecher + Schuh D7 Pushbuttons and Pilot Lights > D7 Momentary Pushbuttons > D7 Flush Momentary Pushbuttons (Components Only)

Vibration Displacement (Peak to Peak Max.)	1.52 mm
Vibration Frequency, Operational (Max.)	2000 Hz
Vibration Duration (Max.)	180 min
Standards Compliance	NEMA ICS-5 UL 508 EN 60947-1 EN 60947-5-1 EN 60947-5-5 EN 418
Certifications	UL UR CSA CCC CE
Shipping Approvals	RINA (Registro Italiano Navale) ABS (American Bureau of Shipping) Lloyd's Register of Shipping

REFERENCES

IECEX Certificate	-
Supplier Declaration of Conformity:	-
Installation Guide:	-
User Manual:	-
Manufacturer Datasheet:	Series D7_Manufacturer Datasheet
Manufacturer Catalogue & Product Selection:	-



Dimension Diagram