

# Catalogue No: **D7M-KR31**

## KEY SELECTOR SW 22.5mm METAL 3 POSITION SR R KR L 3825

Operator Control Devices > Pushbuttons and Control Switches > Pushbuttons and Pilot Lights > Sprecher + Schuh D7 Pushbuttons and Pilot Lights > D7 Selector and Key Selector Switches > Keyed Selector Switch Components



### Rotary Key switch metal 3 position Spring return from Left



Representative Photo Only  
(actual product may vary based on configuration selections)

- D7 pilot devices offer maximum flexibility and a wide choice for all 22.5mm operator applications with all type (e-stops, selector switches, pushbuttons, pilot lights and more), colour and contact configurations.
- Aesthetically appealing and modularly designed to make assembly and interchangeability easy.
- Operators exhibit low profile and stylish appearance while maintaining the rugged performance necessary for demanding environments
- D7P is a plastic operator with a captive black plastic front bezel. Constructed of high-grade thermoplastics, the D7P is suitable for almost all environments and strong chemical resistance.
- D7M has a die-cast zinc housing and mounting ring for rugged durability. Finished with corrosion resistant chrome plating, the D7M also features a captive shiny metal bezel for a polished appearance.

#### SPECIFICATIONS

|  |   |
|--|---|
| Product Series                             | D7M   |
| Component Type Pushbutton and Pilot Lights | Selector Switch                               |
| Number of Positions                        | 3   |
| Operator Positions (from Vertical)         | 0°<br>60°<br>-60°                             |
| Key Removal Position(s)                    | Left  |
| Key Code                                   | 3825 (standard)                               |
| Operator Action, Left                      | Latched / Maintained                          |
| Operator Action, Right                     | Spring Return from Right                      |
| Colour, Operator                           | Black colour                                  |
| Material, Operator                         | Zinc Alloy, Die-Cast, Chrome-Plated material  |
| Colour, Operator Insert                    | White   |
| Material, Bezel                            | Zinc  |
| Coupling Plate Included                    | No Y / N                                      |
| Material, Latches                          | Glass-Filled Nylon / PA6 / PA66 (Polyamide 6) |
| Mounting                                   | 22.5mm Mounting                               |
| Contact Block Included                     | No  |
| Tightening Torque, Nominal                 | 4.4 Nm  |
| Mechanical Service Life                    | 300000 cycles                                 |
| RoHS Approved                              | Yes   |
| CE Marked                                  | Yes   |
| Operating Temperature, Max                 | 70 °C max                                     |
| Operating Temperature, Min                 | -25 °C min                                    |
| Storage Temperature, Max                   | 85 °C max                                     |
| Storage Temperature, Min                   | -40 °C min                                    |
| Relative humidity, min                     | 50 %RH  |
| Relative Humidity, Max                     | 95 %RH  |

# Catalogue No: **D7M-KR31**

## KEY SELECTOR SW 22.5mm METAL 3 POSITION SR R KR L 3825

Operator Control Devices > Pushbuttons and Control Switches > Pushbuttons and Pilot Lights > Sprecher + Schuh D7 Pushbuttons and Pilot Lights > D7 Selector and Key Selector Switches > Keyed Selector Switch Components



|  |  |
|--|--|
| IP Rating                                  | IP66<br>IP65   |
| Shock Acceleration (Max.)                  | 100 g  |
| Shock Duration (Max.)                      | 11 ms  |
| Vibration Acceleration (Max.)              | 10 m/s <sup>2</sup>  |
| Vibration Displacement (Peak to Peak Max.) | 1.52 mm  |
| Vibration Frequency, Operational (Max.)    | 2000 Hz  |
| Vibration Duration (Max.)                  | 180 min  |
| Standards Compliance                       | NEMA ICS-5<br>UL 508<br>EN 60947-1<br>EN 60947-5-1<br>EN 60947-5-5<br>EN 418                         |
| Certifications                             | UL<br>UR<br>CSA<br>CCC<br>CE   |
| Shipping Approvals                         | RINA (Registro Italiano Navale)<br>ABS (American Bureau of Shipping)<br>Lloyd's Register of Shipping |

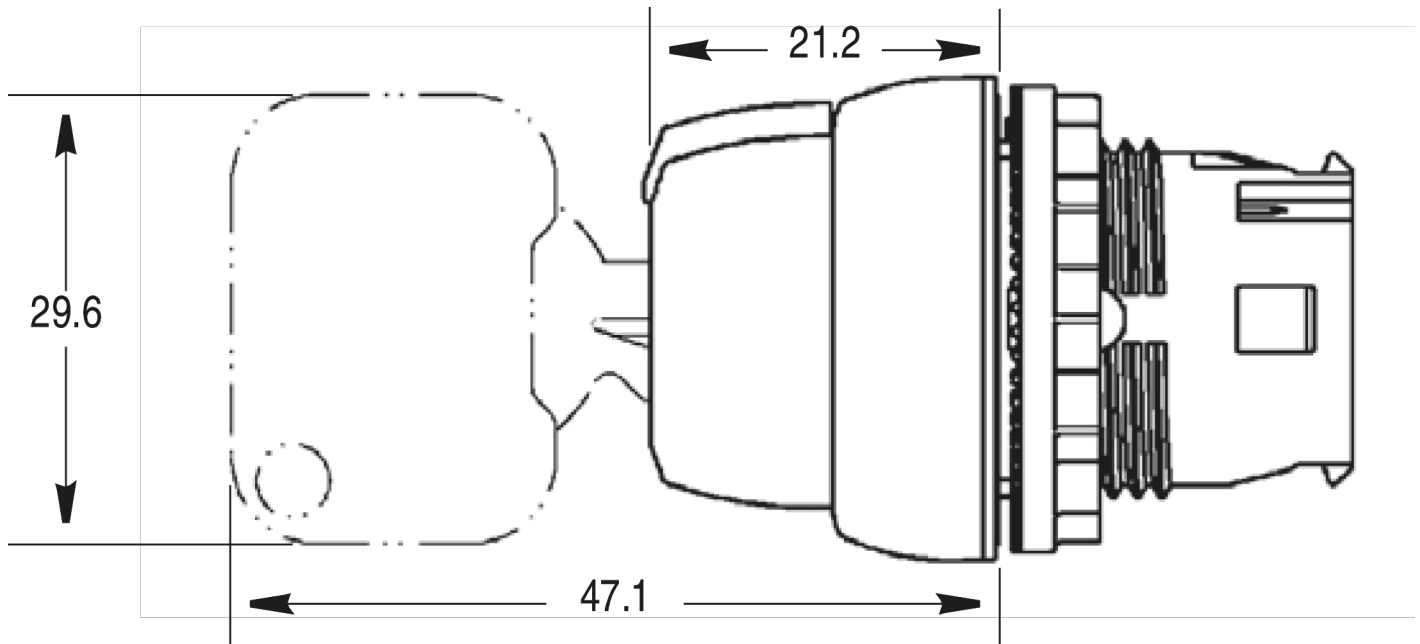
### REFERENCES

|   |  |
|---|--|
| IECEX Certificate                           | -  |
| Supplier Declaration of Conformity:         | -  |
| Installation Guide:                         | -  |
| User Manual:                                | -  |
| Manufacturer Datasheet:                     | <a href="#">Series D7 Manufacturer Datasheet</a> |
| Manufacturer Catalogue & Product Selection: | -  |

Catalogue No: **D7M-KR31**

**KEY SELECTOR SW 22.5mm METAL 3 POSITION SR R KR L 3825**

Operator Control Devices > Pushbuttons and Control Switches > Pushbuttons and Pilot Lights > Sprecher + Schuh D7  
Pushbuttons and Pilot Lights > D7 Selector and Key Selector Switches > Keyed Selector Switch Components



Dimension Diagram