

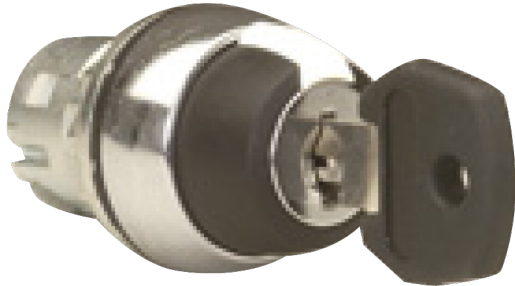
# Catalogue No: **D7M-KL22**

## KEY SELECTOR SW 22.5mm METAL 2 POSITION SR L KR R 3825

Operator Control Devices > Pushbuttons and Control Switches > Pushbuttons and Pilot Lights > Sprecher + Schuh D7 Pushbuttons and Pilot Lights > D7 Selector and Key Selector Switches > Keyed Selector Switch Components



### Rotary Key switch metal 2 position Spring return to centre



Representative Photo Only  
(actual product may vary based on configuration selections)

- D7 pilot devices offer maximum flexibility and a wide choice for all 22.5mm operator applications with all type (e-stops, selector switches, pushbuttons, pilot lights and more), colour and contact configurations.
- Aesthetically appealing and modularly designed to make assembly and interchangeability easy.
- Operators exhibit low profile and stylish appearance while maintaining the rugged performance necessary for demanding environments
- D7P is a plastic operator with a captive black plastic front bezel. Constructed of high-grade thermoplastics, the D7P is suitable for almost all environments and strong chemical resistance.
- D7M has a die-cast zinc housing and mounting ring for rugged durability. Finished with corrosion resistant chrome plating, the D7M also features a captive shiny metal bezel for a polished appearance.

#### SPECIFICATIONS

Product Series	D7M
Component Type Pushbutton and Pilot Lights	Selector Switch
Number of Positions	2
Operator Positions (from Vertical)	30° -30°
Key Removal Position(s)	Right
Key Code	3825 (standard)
Operator Action, Left	Spring Return from Left
Operator Action, Right	Latched / Maintained
Colour, Operator	Black colour
Material, Operator	Zinc Alloy, Die-Cast, Chrome-Plated material
Colour, Operator Insert	White
Material, Bezel	Zinc
Coupling Plate Included	No Y / N
Material, Latches	Glass-Filled Nylon / PA6 / PA66 (Polyamide 6)
Mounting	22.5mm Mounting
Contact Block Included	No
Tightening Torque, Nominal	4.4 Nm
Mechanical Service Life	300000 cycles
RoHS Approved	Yes
CE Marked	Yes
Operating Temperature, Max	70 °C max
Operating Temperature, Min	-25 °C min
Storage Temperature, Max	85 °C max
Storage Temperature, Min	-40 °C min
Relative humidity, min	50 %RH
Relative Humidity, Max	95 %RH
IP Rating	IP66 IP65

# Catalogue No: **D7M-KL22**

## KEY SELECTOR SW 22.5mm METAL 2 POSITION SR L KR R 3825

Operator Control Devices > Pushbuttons and Control Switches > Pushbuttons and Pilot Lights > Sprecher + Schuh D7 Pushbuttons and Pilot Lights > D7 Selector and Key Selector Switches > Keyed Selector Switch Components



Shock Acceleration (Max.)	100 g
Shock Duration (Max.)	11 ms
Vibration Acceleration (Max.)	10 m/s <sup>2</sup>
Vibration Displacement (Peak to Peak Max.)	1.52 mm
Vibration Frequency, Operational (Max.)	2000 Hz
Vibration Duration (Max.)	180 min
Standards Compliance	NEMA ICS-5 UL 508 EN 60947-1 EN 60947-5-1 EN 60947-5-5 EN 418
Certifications	UL UR CSA CCC CE
Shipping Approvals	RINA (Registro Italiano Navale) ABS (American Bureau of Shipping) Lloyd's Register of Shipping

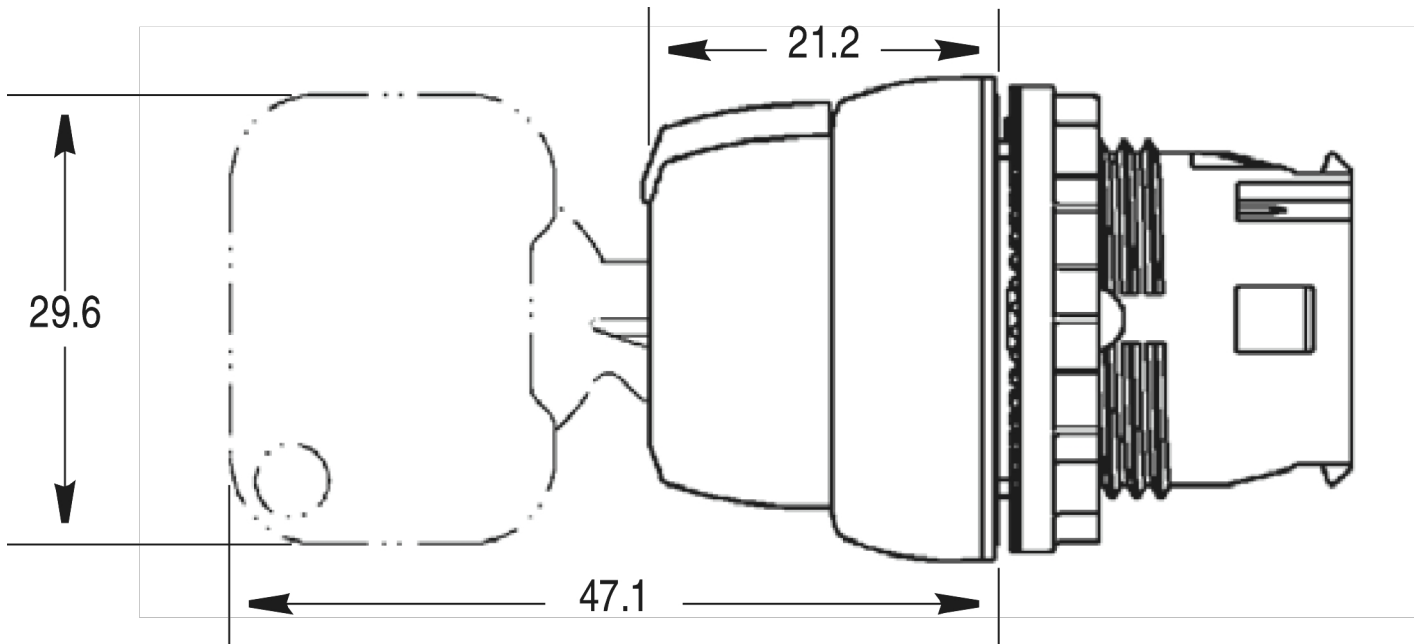
### REFERENCES

IECEX Certificate	-
Supplier Declaration of Conformity:	-
Installation Guide:	-
User Manual:	-
Manufacturer Datasheet:	<a href="#">Series D7_Manufacturer Datasheet</a>
Manufacturer Catalogue & Product Selection:	-

Catalogue No: **D7M-KL22**

**KEY SELECTOR SW 22.5mm METAL 2 POSITION SR L KR R 3825**

Operator Control Devices > Pushbuttons and Control Switches > Pushbuttons and Pilot Lights > Sprecher + Schuh D7  
Pushbuttons and Pilot Lights > D7 Selector and Key Selector Switches > Keyed Selector Switch Components



Dimension Diagram