

# Catalogue No: **D7M-JM2**

## TOGGLE SWITCH 22.5mm METAL 2 POSITION MAINTAINED

Operator Control Devices > Pushbuttons and Control Switches > Pushbuttons and Pilot Lights > Sprecher + Schuh D7 Pushbuttons and Pilot Lights > D7 Toggle Switches > Metal Body - Stayput



### Joystick metal operator 2 position maintained



- D7 pilot devices offer maximum flexibility and a wide choice for all 22.5mm operator applications with all type (e-stops, selector switches, pushbuttons, pilot lights and more), colour and contact configurations.
- Aesthetically appealing and modularly designed to make assembly and interchangeability easy.
- Operators exhibit low profile and stylish appearance while maintaining the rugged performance necessary for demanding environments
- D7P is a plastic operator with a captive black plastic front bezel. Constructed of high-grade thermoplastics, the D7P is suitable for almost all environments and strong chemical resistance.
- D7M has a die-cast zinc housing and mounting ring for rugged durability. Finished with corrosion resistant chrome plating, the D7M also features a captive shiny metal bezel for a polished appearance.

Representative Photo Only  
(actual product may vary based on configuration selections)

### SPECIFICATIONS

Product Series	D7M-JM
Component Type Pushbutton and Pilot Lights	Toggle Switch
Number of Positions	2
Operator Action	Latched / Maintained action
Material, Bezel	Zinc
Electrical Service Life at Un, In	500000 cycles
Mechanical Service Life	10000000 cycles
RoHS Approved	Yes
CE Marked	Yes
Operating Temperature, Max	70 °C max
Operating Temperature, Min	-25 °C min
Storage Temperature, Max	85 °C max
Storage Temperature, Min	-25 °C min
Relative humidity, min	50 %RH
Relative Humidity, Max	95 %RH
IP Rating	IP66 IP65
Shock Acceleration (Max.)	100 g
Shock Duration (Max.)	11 ms
Vibration Acceleration (Max.)	10 m/s <sup>2</sup>
Vibration Displacement (Peak to Peak Max.)	1.52 mm
Vibration Frequency, Operational (Max.)	2000 Hz
Vibration Duration (Max.)	180 min
Standards Compliance	NEMA ICS-5 UL 508 EN 60947-1 EN 60947-5-1 EN 60947-5-5 EN 418

# Catalogue No: **D7M-JM2**

## TOGGLE SWITCH 22.5mm METAL 2 POSITION MAINTAINED

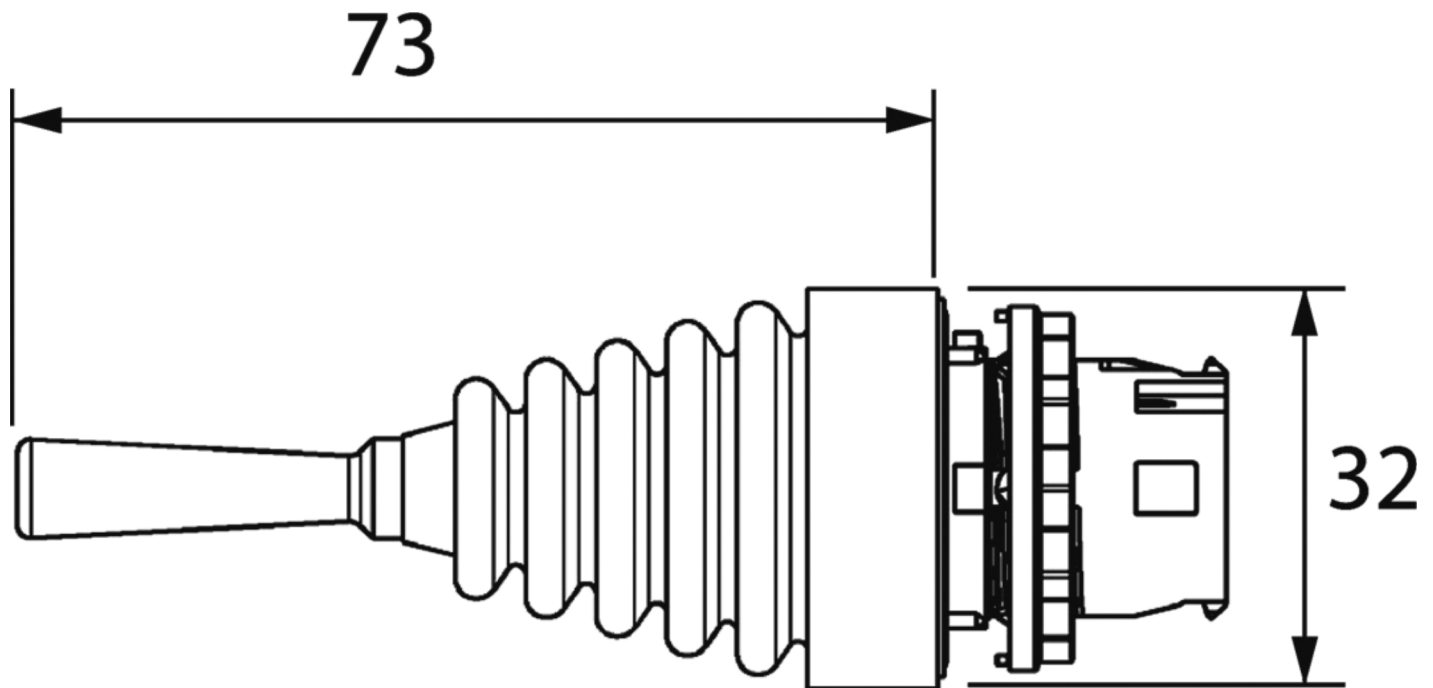
Operator Control Devices > Pushbuttons and Control Switches > Pushbuttons and Pilot Lights > Sprecher + Schuh D7  
Pushbuttons and Pilot Lights > D7 Toggle Switches > Metal Body - Stayput



Certifications	UL UR CSA CCC CE
Shipping Approvals	RINA (Registro Italiano Navale) ABS (American Bureau of Shipping) Lloyd's Register of Shipping

### REFERENCES

IECEX Certificate	-
Supplier Declaration of Conformity:	-
Installation Guide:	-
User Manual:	-
Manufacturer Datasheet:	<a href="#">Series D7 Manufacturer Datasheet</a>
Manufacturer Catalogue & Product Selection:	-






Dimension Diagram

# Catalogue No: **D7M-JM2**

## TOGGLE SWITCH 22.5mm METAL 2 POSITION MAINTAINED

Operator Control Devices > Pushbuttons and Control Switches > Pushbuttons and Pilot Lights > Sprecher + Schuh D7  
Pushbuttons and Pilot Lights > D7 Toggle Switches > Metal Body - Stayput



Target Table and Operator Positions (2 Position)				
Contact Type	Position on Mounting Latch			
		Toggle Left	Center	Toggle Right
N.O.	Left	0	0	X
N.O.	Right	X	0	0
N.O.	Center	X	0	X
N.C.	Left	X	X	0
N.C.	Right	0	X	X
N.C.	Center	0	X	0

**Note:** X = Closed / 0 = Open

Technical Diagram