

Catalogue No: **D7D-MT44X01**

PUSHBUTTON 22.5mm MONOLITHIC E-STOP 40mm DIAMETER 1NC

Operator Control Devices > Pushbuttons and Control Switches > Pushbuttons and Pilot Lights > Sprecher + Schuh D7 Pushbuttons and Pilot Lights > D7 Monolithic Operators > D7 Monolithic E-stops



Emergency Stop Monolithic 40mm twist release 1N/C



- The D7 range of 22.5mm operator control devices includes a diverse range of products making it suitable for use in a wide range of applications. Products in the range include pushbuttons, selector switches, pilot lights, emergency stop operators and more.
- Aesthetically appealing and modularly designed to make assembly and interchangeability easy.
- Operators exhibit low profile and stylish appearance while maintaining the rugged performance necessary for demanding environments
- Operators are available in both plastic (D7P) and metal (D7M) variants.

Representative Photo Only
(actual product may vary based on configuration selections)

SPECIFICATIONS

Component Type Pushbutton and Pilot Lights	E-Stop
Operator Type	E-Stop, Mushroom Head type
Operator Action	Twist to Release action
Diameter, Operator	39.8 mm
Colour, Operator	Red colour
Material, Operator	Polyester material
Material, Bezel	Glass-Filled PBT / Valox
Coupling Plate Included	No Y / N
Tightening Torque, Nominal	0.8 Nm
Material, Gasket / Seal	ABS material
Material, Body / Housing	Polyester material
Mounting	22.5mm Mounting
Contact Block Included	Yes
Contact Configuration	1 NC
In, Rated Current	10 A
Ie, Rated Operational Current, AC-1, 240V	1.5 A@240V
Ie, Rated Operational Current, AC-15, 110-120V	3 A@110-120V
Ie, Rated Operational Current, AC-15, 240V	1.5 A@240V
Ie, Rated Operational Current, DC-13, 125V	0.22 A@125V
Ui, Rated Insulation Voltage	300 V (rms)
Compatible Product Series	D7 22.5mm Control & Indication compatible
Material, Contacts	Silver Nickel (AgNi) material
Colour, Contact Actuator	Red
Terminal Type	Screw Terminal(s)
Material, Terminal	Brass
Tightening Torque, Min	0.7 Nm
Tightening Torque, Max	0.9 Nm
Material, Spring	Stainless Steel

Catalogue No: **D7D-MT44X01**

PUSHBUTTON 22.5mm MONOLITHIC E-STOP 40mm DIAMETER 1NC

Operator Control Devices > Pushbuttons and Control Switches > Pushbuttons and Pilot Lights > Sprecher + Schuh D7 Pushbuttons and Pilot Lights > D7 Monolithic Operators > D7 Monolithic E-stops



Operating Force	36 N
Linear Travel to Actuation	2.5 mm
Pickup Voltage	17 V
Pickup Current	5 mA
Ith, Thermal Current, Open	5 A
Wire / Conductor Size (Min)	18 AWG (0.823 mm ²) min
Wire / Conductor Size (Max)	14 AWG (2.08 mm ²)
Dielectric Strength	2.5kV for 1 minute V AC
Recommended Fuse Current Rating	5 A
Fuse Characteristic Type(s)	gL/gG
Illuminated	No Y / N
Mechanical Service Life	300000 cycles
RoHS Approved	Yes
CE Marked	Yes
Operating Temperature, Max	60 °C max
Operating Temperature, Min	-25 °C min
Storage Temperature, Max	85 °C max
Storage Temperature, Min	-40 °C min
Relative Humidity, Min	50 %RH
Relative Humidity, Max	95 %RH
IP Rating	IP65 IP66
Shock Acceleration (Max.)	100 g
Shock Duration (Max.)	11 ms
Vibration Acceleration (Max.)	10 m/s ²
Vibration Displacement (Peak to Peak Max.)	1.52 mm
Vibration Frequency, Operational (Max.)	2000 Hz
Vibration Duration (Max.)	180 min
Standards Compliance	NEMA ICS-5 UL 508 EN 60947-1 EN 60947-5-1 EN 60947-5-5 EN 418
Certifications	UL UR CSA CCC CE
Shipping Approvals	RINA (Registro Italiano Navale) ABS (American Bureau of Shipping) Lloyd's Register of Shipping

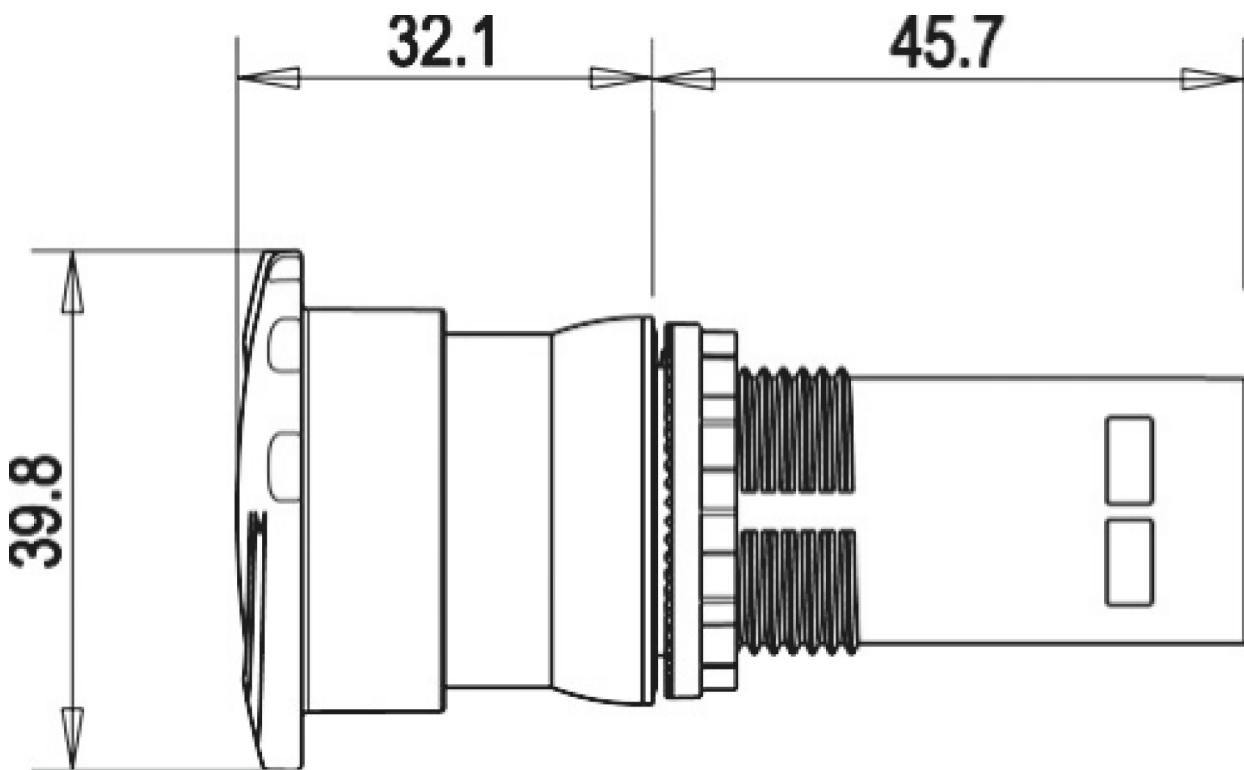
Catalogue No: **D7D-MT44X01**

PUSHBUTTON 22.5mm MONOLITHIC E-STOP 40mm DIAMETER 1NC

Operator Control Devices > Pushbuttons and Control Switches > Pushbuttons and Pilot Lights > Sprecher + Schuh D7
Pushbuttons and Pilot Lights > D7 Monolithic Operators > D7 Monolithic E-stops



REFERENCES	
IECEX Certificate	-
Supplier Declaration of Conformity:	-
Installation Guide:	-
User Manual:	-
Manufacturer Datasheet:	Series D7_Manufacturer Datasheet
Manufacturer Catalogue & Product Selection:	-



Dimension Diagram