

# Catalogue No: **D7-3MM**

## ENCLOSURE ALUMINIUM 22.5mm 3 HOLE GREY

Operator Control Devices > Pushbuttons and Control Switches > Pushbuttons and Pilot Lights > Sprecher + Schuh D7 Pushbuttons and Pilot Lights > D7 Enclosed Pushbutton Stations > D7 Empty Enclosures



### Enclosure metal Grey 3 hole

- D7 pilot devices offer maximum flexibility and a wide choice for all 22.5mm operator applications with all type (e-stops, selector switches, pushbuttons, pilot lights and more), colour and contact configurations.
- Aesthetically appealing and modularly designed to make assembly and interchangeability easy.
- Operators exhibit low profile and stylish appearance while maintaining the rugged performance necessary for demanding environments
- D7P is a plastic operator with a captive black plastic front bezel. Constructed of high-grade thermoplastics, the D7P is suitable for almost all environments and strong chemical resistance.
- D7M has a die-cast zinc housing and mounting ring for rugged durability. Finished with corrosion resistant chrome plating, the D7M also features a captive shiny metal bezel for a polished appearance.

Representative Photo Only  
(actual product may vary based on configuration selections)

### SPECIFICATIONS

Product Series	D7 22.5mm Control & Indication
Component Type Pushbutton and Pilot Lights	Pushbutton Station Enclosure
Height	174 mm
Width	85 mm
Depth	80.5 mm
Conduit Entry	2 x M16 / M20 entry
Operator Cutout(s)	3 x 22.5mm cutouts
Material, Body / Housing	Aluminium, Die-Cast material
Colour, Body / Housing	Grey colour
RoHS Approved	Yes
CE Marked	Yes
Operating Temperature, Max	70 °C max
Operating Temperature, Min	-25 °C min
Storage Temperature, Max	85 °C max
Storage Temperature, Min	-25 °C min
Relative humidity, min	50 %RH
Relative Humidity, Max	95 %RH
IP Rating	IP66 IP65
Shock Acceleration (Max.)	100 g
Shock Duration (Max.)	11 ms
Vibration Acceleration (Max.)	10 m/s <sup>2</sup>
Vibration Displacement (Peak to Peak Max.)	1.52 mm
Vibration Frequency, Operational (Max.)	2000 Hz
Vibration Duration (Max.)	180 min

# Catalogue No: **D7-3MM**

## ENCLOSURE ALUMINIUM 22.5mm 3 HOLE GREY

Operator Control Devices > Pushbuttons and Control Switches > Pushbuttons and Pilot Lights > Sprecher + Schuh D7  
Pushbuttons and Pilot Lights > D7 Enclosed Pushbutton Stations > D7 Empty Enclosures



### Standards Compliance

NEMA ICS-5  
UL 508  
EN 60947-1  
EN 60947-5-1  
EN 60947-5-5  
EN 418

### Certifications

UL  
UR  
CSA  
CCC  
CE

### Shipping Approvals

RINA (Registro Italiano Navale)  
ABS (American Bureau of Shipping)  
Lloyd's Register of Shipping

### REFERENCES

IECEx Certificate -

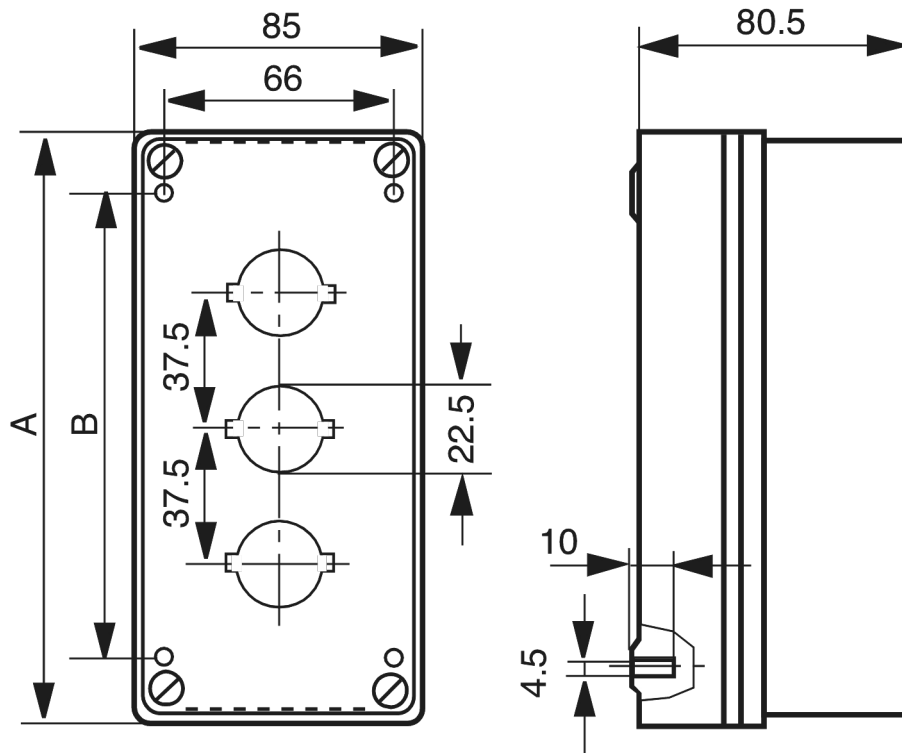
Supplier Declaration of Conformity: -

Installation Guide: -

User Manual: -

Manufacturer Datasheet: [Series D7\\_Manufacturer Datasheet](#)

Manufacturer Catalogue & Product Selection: -



Dimension Diagram