

# Catalogue No: CAB 604023

## ENCLOSURE W/MOUNT GRP IP65 H615xW415xD230mm

Enclosures and Climate Control > Standard Enclosures > Wall Mount Enclosures > Wall Mount Enclosures - GRP > Wall Mount Enclosures - GRP > CAB GRP Enclosures (Mounting Plates Sold Separately)



Representative Photo Only  
(actual product may vary based on configuration selections)

### Enclosure Wall Mount GRP IP65 H615xW415xD230mm

- Fully electrically insulated, corrosion and chemical resistant and weighing up to 60% less than steel
- Easily customised and machined with easy to use accessories makes installation a dream
- Flame resistant to UL 94 V-0
- Suitable for harsh applications where stainless steel is not an option
- One piece body for improved mechanical resistance, providing an IP66, IK10 rating

#### SPECIFICATIONS

Product Series	CAB GRP Enclosure
Material, Body / Housing	GRP (Glass Reinforced Plastic / Polyester / Thermoplastic) material
Colour, Body / Housing	Light Grey (RAL 7035) colour
Height	615 mm
Width	415 mm
Depth	230 mm
IP Rating	IP66
IK Rating	IK10
Mounting Plate Included	No

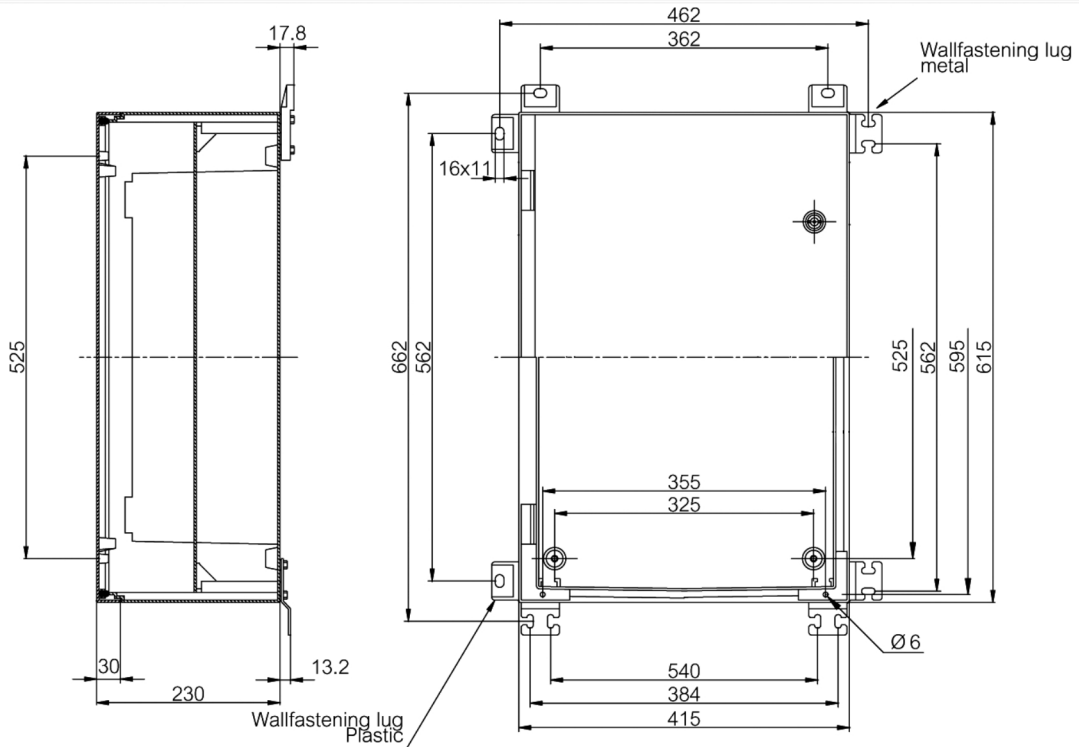
#### REFERENCES

IECEX Certificate	-
Supplier Declaration of Conformity:	-
Installation Guide:	-
User Manual:	-
Manufacturer Datasheet:	-
Manufacturer Catalogue & Product Selection:	-

Catalogue No: **CAB 604023**

**ENCLOSURE W/MOUNT GRP IP65 H615xW415xD230mm**

Enclosures and Climate Control > Standard Enclosures > Wall Mount Enclosures > Wall Mount Enclosures - GRP > Wall Mount Enclosures - GRP > CAB GRP Enclosures (Mounting Plates Sold Separately)



Dimension Diagram