



Base For 4661 Relay Box Clamp w/Plastic Clip

- Complete range from PCB to power relays to cover all of your switching requirements
- International certifications and approvals including CE, CSA, EAC, PCT, RINA, VDE and RoHS, providing quality assurance of a market leading product
- Compact construction allowing for most efficient use of your space

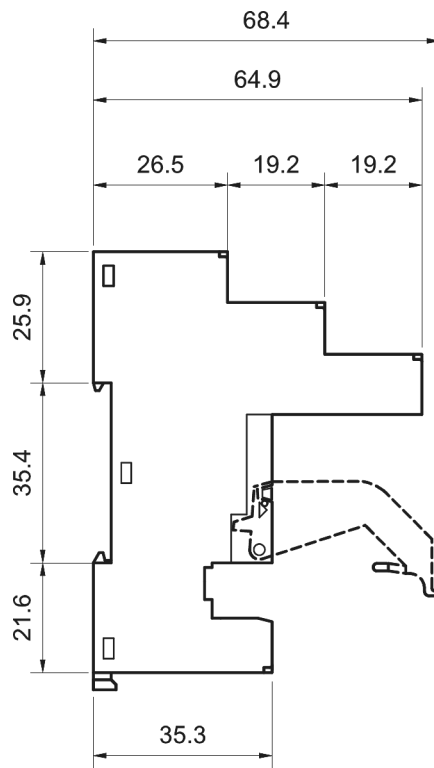
Representative Photo Only
(actual product may vary based on configuration selections)

SPECIFICATIONS

| | |
|------------------------------------------|-----------------------------------------------------------------|
| Product Series | 46 |
| Component Type Timers and Control relays | Relay Base |
| Height | 32.8 mm |
| Width | 29 mm |
| Depth | 12.4 mm |
| Shock Acceleration (Max.) | 20 g |
| Shock Duration (Max.) | 4 ms |
| Vibration Acceleration (Max.) | 20 m/s ² |
| Vibration Frequency, Operational (Max.) | 150 Hz |
| Certifications | CE CCC CSA EAC GOST-R IMQ C-UR-US VDE |
| Shipping Approvals | Lloyd's Register of Shipping RINA (Registro Italiano Navale) |



| REFERENCES | |
|---------------------------------------------|---|
| IECEX Certificate | - |
| Supplier Declaration of Conformity: | - |
| Installation Guide: | - |
| User Manual: | - |
| Manufacturer Datasheet: | - |
| Manufacturer Catalogue & Product Selection: | - |

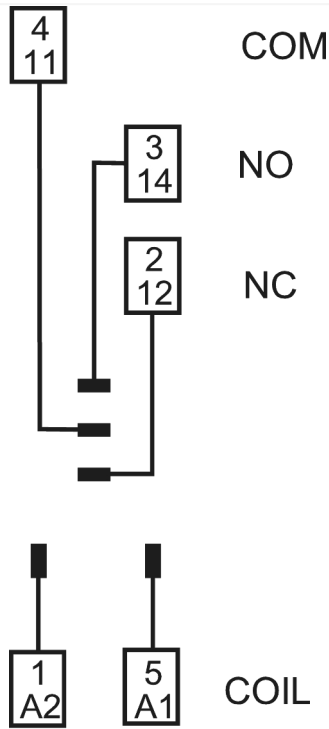


Dimension Diagram

Catalogue No: **97.01**

BASE FOR 4661 RELAY BOX CLAMP W/PLASTIC CLIP

Timers and Control Relays > General Purpose Relays > Electromechanical Relays > Finder Electromechanical Relays > PCB and Miniature Relays > 46 Series Miniature Industrial Relays



Connection / Wiring Diagram