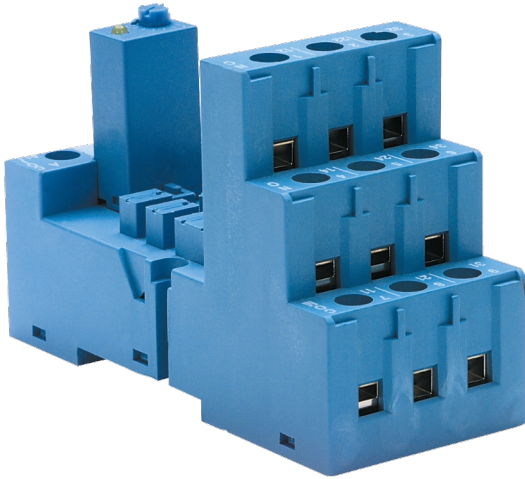


Base for 6232/33 Relay



- Complete range from PCB to power relays to cover all of your switching requirements
- International certifications and approvals including CE, CSA, EAC, PCT, RINA, VDE and RoHS, providing quality assurance of a market leading product
- Compact construction allowing for most efficient use of your space

Representative Photo Only
(actual product may vary based on configuration selections)

SPECIFICATIONS

Product Series	62
Component Type Timers and Control relays	Relay Base
In, Rated Current	16 A
Un, Nominal Operational Voltage, AC	250 V AC
Material, Contacts	Silver Cadmium Oxide (AgCdO) material
IP Rating	IP20
Operating Temperature, Min	-40 °C min
Operating Temperature, Max	70 °C max
Height	91.3 mm
Width	40 mm
Depth	60.9 mm
Shock Acceleration (Max.)	15 g
Shock Duration (Max.)	5 ms
Vibration Acceleration (Max.)	20 m/s ²
Vibration Frequency, Operational (Max.)	150 Hz

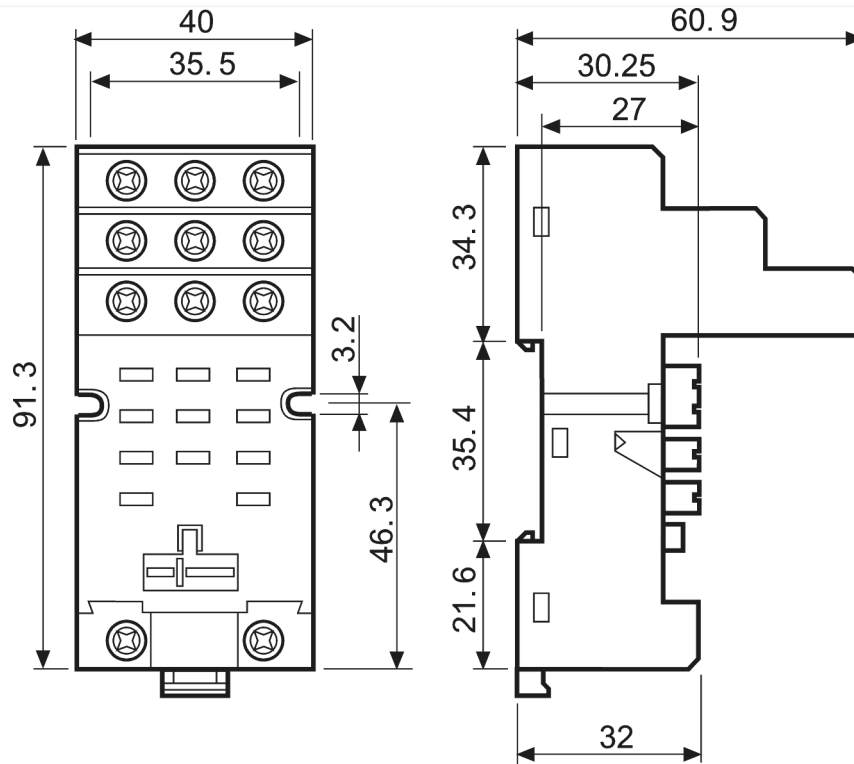
REFERENCES

IECEX Certificate	-
Supplier Declaration of Conformity:	-
Installation Guide:	-
User Manual:	-
Manufacturer Datasheet:	-
Manufacturer Catalogue & Product Selection:	-

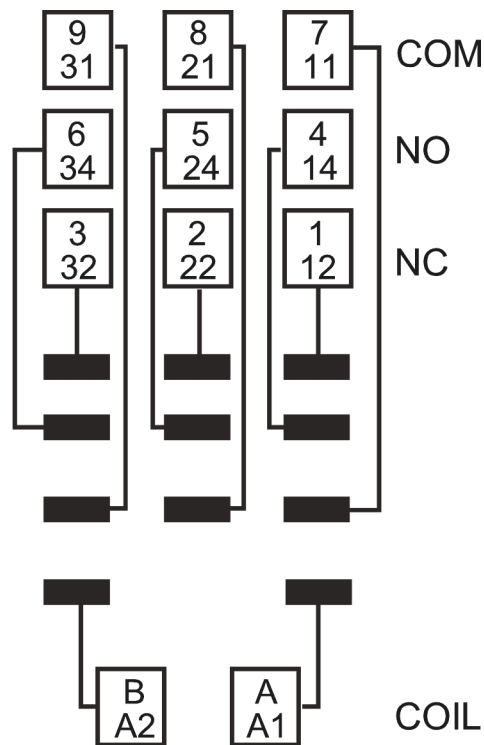
Catalogue No: **92.03**

BASE FOR 6232/33 RELAY & 9902 LED BOX CLAMP W/METAL CLIP

Timers and Control Relays > General Purpose Relays > Electromechanical Relays > Finder Electromechanical Relays > Power Relays > 62 Series Plug-in Power Relays



Dimension Diagram



Connection / Wiring Diagram