

Refer catalogue F1

Miniature power relays

Flat pin

- Lockable test button, mechanical flag indicator, LED and Diode (DC only) for 2 pole relay only



Cat. No.
56.32.0054...V AC
56.32.0074...V DC


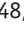
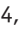
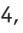
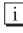


Cat. No.
56.34...V AC
56.34...V DC

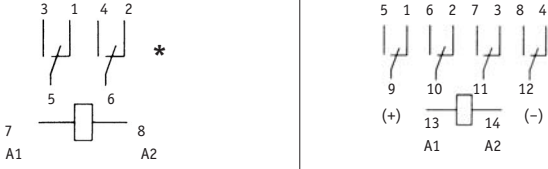
Contact specifications

Contact configuration	2 C/O	4 C/O
Rated current	12 A	
Rated voltage	250 V AC	
Rated load in AC 1	3,000 VA	
Rated load in AC 15 (230 V AC)	500 VA	
Single phase motor rating (230 V AC)	0.55 kW	
Breaking capacity in DC 1 : 30/110/220 V	12/0.25/0.12 A	
Maximum peak current	20 A	
Maximum switching voltage	400 V AC	
Minimum switching load	500 mW	

Coil specifications

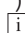
Nominal voltage (U_N) ¹⁾	(50/60 Hz) AC	12, 24, 48, 110, 240	12  , 24, 48  , 110, 240
	DC	6  , 12, 24, 48, 110 V	6  , 12, 24, 48  , 110
Rated power AC/DC		1.5 VA/1 W	2 VA/1.3 W
Operation range	(50 Hz) AC	(0.8...1.1) U_N	
	DC	(0.8...1.1) U_N	
Holding voltage AC/DC		0.8 U_N /0.6 U_N	
Must drop-out voltage		0.2 U_N /0.1 U_N	

Technical data

Mechanical life AC/DC	20.10 ⁶ /50.10 ⁶ cycles	
Electrical life @ rated load AC 1	200.10 ³ cycles	150.10 ³ cycles
Insulation between coil and contacts	4 kV	
Ambient temperature range	-40 °C...+70 °C	
Protection rating	IP 50	
Connection diagram		
Note: New DC relays are non-polarised		
* Polarity for DC supply when using plug-in LED/diode modules.		
Recommended base and accessories	96.72 screw terminal base	96.74 screw terminal base 99.010 LED module plug-in 99.013000 diode module plug-in 99.013 LED & diode module plug-in

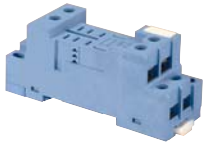

Notes: The equipment on this page is rated 230/400 V and is suitable for use on 240/415 V systems as per AS 60038:2000.



¹⁾ Please contact NHP for other voltages.

 Available on indent only.

Relay bases and Accessories

Bases for series 56 relays

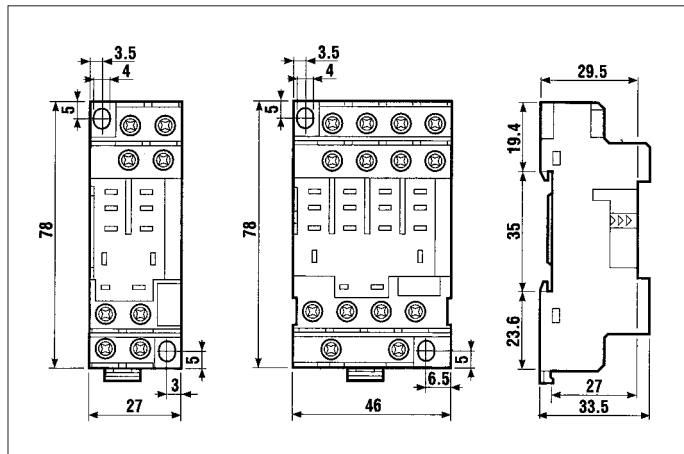
		
Cat. No.	96.72	96.74
Description	DIN rail mounting base open terminals. Accepts 99-01 series LED modules.	DIN rail mounting base open terminals. Accepts 99-01 series LED modules.
Relay to suit	Flat pin 2 C/O (8 pin) 56.32...	Flat pin 4 C/O (14 pin) 56.34...
Retaining clip	94.71	96.71

		
Cat. No.	96.12	96.14
Description	PCB mounting base	PCB mounting base
Relay to suit	Flat pin 2 C/O (8 pin) 56.32...	Flat pin 4 C/O (14 pin) 56.34...
Retaining clip	94.71	96.71

Relay base dimensions (mm)

56 Series

Cat No. 96.72, 96.74



Relay dimensions (mm)

56 Series

Cat. No. 56.32

