

# Miniature relays

## Faston connection or plug-in

- Compact
- High load switching up to 16 A
- Lockable test button and mechanical flag  
Indicator with LED
- Built-in suppression (DC version only)



Cat. No. <sup>1)</sup>

46.61.0054 240 V AC

46.61.0054... V AC

46.61.0074... V DC

Cat. No. <sup>1)</sup>

46.52.0054 240 V AC

46.52.0054... V AC

46.52.0074... V DC

### Contact specifications

Contact configuration		1 C/0	2 C/0
Rated current/maximum peak current	A	16/25	8/15
Rated voltage/maximum switching voltage	V AC	250/440	
Rated load AC 1	VA	4000	2000
Rated load AC 15 (230 V AC)	VA	750	350
Single phase motor rating (230 V AC)	kW	0.55	0.37
Breaking capacity DC 1: 30/110/220	VA	12/0.5/0.15	6/0.5/0.15
Minimum switching load	mW (V/mA)	300 (5/5)	

### Coil specifications <sup>1)</sup>

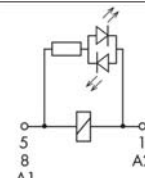
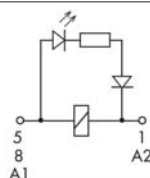
Nominal voltage (U <sub>N</sub> )	(50/60 Hz) V AC	12, 24, 48, 110, 240
	V DC	12, 24, 48, 110
Rated power	VA/W	1.2/0.5
Operation range	AC	(0.8...1.1) U <sub>N</sub>
	DC	(0.73...1.1) U <sub>N</sub>
Holding voltage	AC/DC	0.8 U <sub>N</sub> /0.4 U <sub>N</sub>
Must drop-out voltage	AC/DC	0.2 U <sub>N</sub> /0.1 U <sub>N</sub>

### Technical data

Mechanical life AC/DC	cycles	10.10 <sup>6</sup>
Electrical life at rated load AC 1	cycles	100.10 <sup>3</sup>
Operate/release time	ms	10/3
Insulation between coil and contacts (1.2/50μs)		6 kV (8 mm)
Ambient temperature range		-40...+70°C
Protection rating		IP 50

### Connection Diagram

Note: DC relays are non-polarised



### Dimensions

Recommended base and accessories Refer page 9-31	<b>97.01</b> Screw terminal base	<b>97.02</b> Screw terminal base
	<b>046.05</b> Flange mount adaptor	
	<b>046.07</b> DIN rail adaptor	

**Notes:** <sup>1)</sup> Add coil voltage to Cat. No. when ordering.

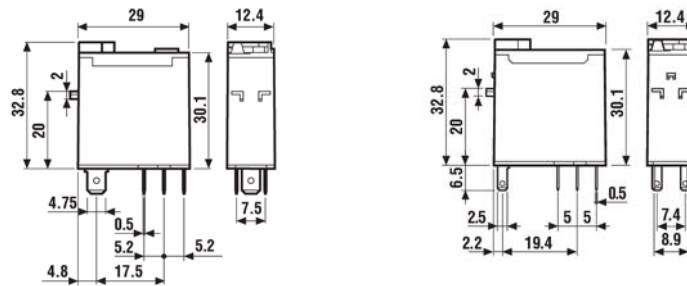
The equipment on this page is rated 230/400 V and is suitable for use on 240/415 V systems as per AS 60038:2000.

## Price Schedule 'B2'

## Relay dimensions (mm)

### 46 Series

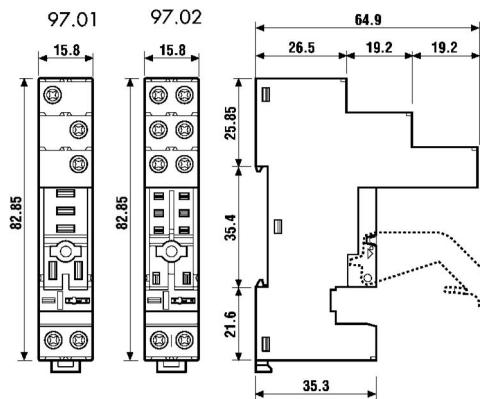
Cat No. 46.61, 46.52



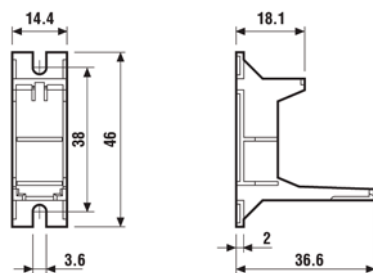
## Relay base dimensions (mm)

### 46 Series

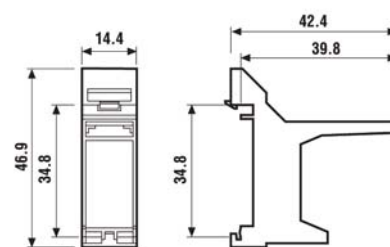
Cat No. 97.01, 97.02, 046.05, 046.07



046.05






046.07






## Relay bases and Accessories




### LED and diode modules for series 40, 44

			
	A1 positive	A1 positive	A1 positive
<b>Cat. No.</b>	<b>99.800...</b>	<b>99.803...</b>	<b>99.809...</b>
<b>Description</b>	LED module plug-in	Diode module plug-in	LED and diode module plug-in
<b>Voltage ref. no.</b> (Add to above Cat. no.)	<b>(024 50)</b> 24 V AC/DC <b>(230 50)</b> 110 - 230 V AC	<b>(000 00)</b> 12 - 110 V DC diode	<b>(024 90)</b> 24 V DC LED + diode
<b>Suitable for bases</b>	95.85	95.85	95.85

### LED and diode modules for series 40, 56 (4 pole only) & 60

<b>Note:</b> Not for use on 55 and 56 series with built-in LED.			
	A1 positive	A1 positive	A1 positive
<b>Cat. No.</b> <b>Price \$</b>	<b>99.010...</b>	<b>99.013...</b>	<b>99.013...</b>
<b>Description</b>	LED module plug-in.	Diode module plug-in	LED & diode module plug-in
<b>Voltage ref. no.</b> (Add to above Cat. no.)	<b>(024)</b> 6 - 24 V AC/DC <b>(060)</b> 28 - 60 V AC/DC <b>(240)</b> 110 - 240 V AC/DC	<b>(000)</b> 6 - 220 V DC DC voltages only	<b>(024)</b> 6 - 24 V DC <b>(060)</b> 25 - 60 V DC <b>(110)</b> 110 - 220 V DC DC voltages only.
<b>Suitable for bases</b>	90.20, 90.21, 96.72, 96.74, 95.75, 94.82, 94.74.	90.20, 90.21, 96.72, 96.74, 95.75, 94.82, 94.74.	90.20, 90.21, 96.72, 96.74, 95.75, 94.82, 94.74.

### Bases and adaptors for series 46 relays

			
<b>Cat. No.</b>	<b>97.01</b> <b>97.02</b>	<b>046.05</b>	<b>046.07</b>
<b>Description</b>	DIN rail mounting base open terminals	Faston flange mount adaptor	Faston DIN rail adaptor
<b>Relay to suit</b>	Flat pin 1 C/O 46.61... Flat pin 2 C/O 46.52...	Flat pin 1 C/O 46.61... Flat pin 2 C/O 46.52...	