

# Step relays

## DIN rail and panel mount

### 20 series

- One module wide (17.5 mm)
- Integral ID label
- Test button with mechanical indicator



Cat. No.

20.22...V AC

20.22...V DC

**i** 20.21.110 V AC

20.23...V AC

20.23...V DC

### Contact specifications

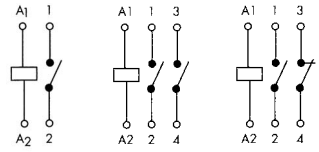
Contact configuration	2 N/O	1 N/O + 1 N/C
Rated current	16 A	
Rated voltage	250 V AC	
Rated load in AC 1	4,000 VA	
Rated load in AC 15 (230 V AC)	750 VA	
Nominal lamp rating: incandescent (230 V)	2,000 W	
Compensated fluorescent (230 V)	750 W	
Uncompensated fluorescent (230 V)	1,000 W	
Halogen lamps (230 V)	2,000 W	
Maximum peak current	30 A	
Maximum switching voltage	400 V AC	
Minimum switching load	1,000 mW	

### Coil specifications

Nominal voltage (U <sub>N</sub> )	(50/60 Hz) AC	24, 110, 240
	DC	12 <b>i</b> , 24
Rated power AC/DC		5.5 VA/5 W
Operation range	(50 Hz) AC	(0.85...1.1) U <sub>N</sub>
	DC	(0.9...1.1) U <sub>N</sub>
Maximum pulse duration (EN 60669)		1 hour

### Technical data

Mechanical life AC/DC	300.10 <sup>3</sup> cycles
Electrical life @ rated load AC 1	100.10 <sup>3</sup> cycles
Insulation between coil and contacts	4 kV
Ambient temperature range	-40 °C...+40 °C
Protection rating	IP 20

Connection diagram	 <p><b>20.21</b>    <b>20.22</b>    <b>20.23</b></p>
Operation	On receipt of voltage signal to the relay coil, the contacts change state to the opposite position. Ideal for two way light switching.

**Notes:** The equipment on this page is rated 230/400 V and is suitable for use on 240/415 V systems as per AS 60038:2000.

**i** Available on indent only.

## Relay dimensions (mm)

### 20 Series

Cat. No. 20.22, 20.33

