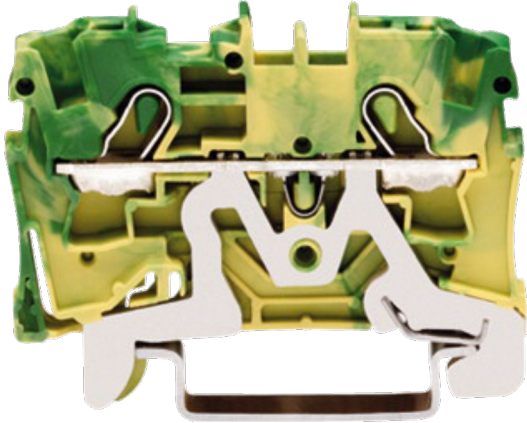


Terminal Topjob 4mm 2 Conductor Earth



Representative Photo Only
(actual product may vary based on configuration selections)

- Self-contained cage clamp assembly allows for quick and easy wire termination while ensuring contact quality
- Cage clamp terminals developed to suit a wide range of wire cross sections from 0.08 – 35mm²
- Alternate or staggered jumpers made in the field by simply breaking and removing jumper contacts
- Wide variety of terminal sizes and configurations including multiple conductors and decks, earth, sensor, high-current, fused and disconnect terminals
- Modular PCB terminal strips with cage clamp connection in various sizes and pin-spacing to suit any PCB solution
- Multi-connection system and WINSTA plugs and sockets suitable for lighting, power, and control connections
- Full range of accessories to complement any wire-termination solution

SPECIFICATIONS

Product Series	2004
Component Type Termination Wiring	Terminal
Number of Conductors	2 qty
Number of Potentials	1
Connection / Termination	Cage Clamp Terminal(s)
Material, Body / Housing	Nylon / PA6 / PA66 (Polyamide 6) material
Colour, Body / Housing	Green & Yellow (Earth) colour
Flammability Rating (UL94)	UL 94 V-0
Conductor Entry Position	Front
Conductor Entry Angle	Horizontal
Wire / Conductor Size, Rigid Cable, Min	0.5 mm ² min
Wire / Conductor Size, Rigid Cable, Max	6 mm ² max
Wire / Conductor Size, Flex Cable, Min	0.5 mm ² min
Wire / Conductor Size, Flex Cable, Max	6 mm ² max
Wire Strip Length, Min	11 mm
Wire Strip Length, Max	13 mm
Marking Position	Centre / Side
Fire Load	0.12 MJ
Mounting	DIN-35 Rail Mount
Ex i Suitable	No
IECEX Certified	Yes
Marking 1	Ex e IIC Gb
Marking 2	Ex e I Mb
Marking 3	Tamb -55 °C to +85 °C
Protection Method(s) - Underground	Increased Safety "e"
Protection Method(s) - Gas	Increased Safety "e"
Certificate Number	IECEX PTB 05.0033U

Catalogue No: 2004-1207

SCREWLESS TERMINAL 4mm 2 CONDUCTOR 32A EARTH GREEN/YELLOW

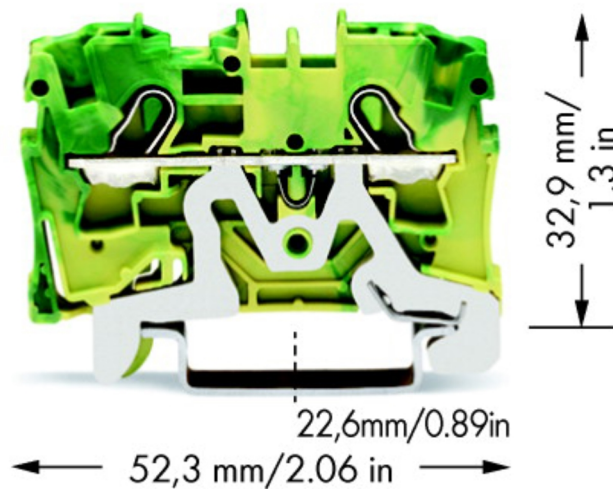
Termination and Wiring Systems > Terminals and Pre-Wired Cables > Terminals - Screwless > WAGO Screwless Terminals > Series 2004 - 4mm2 TOPJOB S Terminals > Series 2004 - Through Terminals



Certificate URL	http://iecex.iec.ch/iecex/IECEXWeb.nsf/id/A40463C5A246ACC0C1257B72003D300F?opendocument
Height	52.5 mm
Width	6.2 mm
Depth	33 mm
Weight	0.012793 kg
Certifications	CCA CSA GOST-R KEMA RoHS PTB UL
Shipping Approvals	ABS (American Bureau of Shipping) DNV-GL (Det Norske Veritas Germanischer Lloyd) Lloyd's Register of Shipping PRS (Polish Register of Shipping)

REFERENCES

IECEX Certificate	IECEX PTB 05.0033U
Supplier Declaration of Conformity:	-
Installation Guide:	-
User Manual:	-
Manufacturer Datasheet:	-
Manufacturer Catalogue & Product Selection:	20041207_Manufacturer Catalogue



Dimension Diagram

Catalogue No: **2004-1207**

SCREWLESS TERMINAL 4mm 2 CONDUCTOR 32A EARTH GREEN/YELLOW

Termination and Wiring Systems > Terminals and Pre-Wired Cables > Terminals - Screwless > WAGO Screwless Terminals > Series 2004 - 4mm2 TOPJOB S Terminals > Series 2004 - Through Terminals



Connection / Wiring Diagram