

2.5mm Terminal Grey 2 Conductor

Stripped solid conductors, stranded conductors with ferruls or ultrasonically "bonded" conductors are easily connected by simply pushing the wire into the wire entry. Utilising only a screwdriver to open the clamp, this represents a significant time and cost saving. For conductors between 0.5mm² and 16mm² 2, 3, 4 conductor terminal blocks Double deck and triple terminal blocks plus fuse and disconnect terminals.

Representative Photo Only
(actual product may vary based on configuration selections)

SPECIFICATIONS

Product Series	2002
Component Type Termination Wiring	Terminal
Number of Conductors	2 qty
Number of Potentials	1
Connection / Termination	Cage Clamp Terminal(s)
Material, Body / Housing	Nylon / PA6 / PA66 (Polyamide 6) material
Colour, Body / Housing	Grey colour
Flammability Rating (UL94)	UL 94 V-0
Conductor Entry Position	Front
Conductor Entry Angle	Horizontal
Wire / Conductor Size, Rigid Cable, Min	0.25 mm ² min
Wire / Conductor Size, Rigid Cable, Max	4 mm ² max
Wire / Conductor Size, Flex Cable, Min	0.25 mm ² min
Wire / Conductor Size, Flex Cable, Max	4 mm ² max
Wire Strip Length, Min	10 mm
Wire Strip Length, Max	12 mm
In, Rated Current	24 A
Un, Nominal Voltage	800 V
Rated surge voltage	8 kV
Pollution Degree	3
Marking Position	Centre / Side
Fire Load	0.109 MJ
Mounting	DIN-35 Rail Mount
Ex i Suitable	No
IECEX Certified	Yes
Marking 1	Ex e IIC Gb
Marking 2	Ex e I Mb
Protection Method(s) - Underground	Increased Safety "e"

Catalogue No: **2002-1201**

SCREWLESS TERMINAL 2.5mm 2 CONDUCTOR 24A GREY

Termination and Wiring Systems > Terminals and Pre-Wired Cables > Terminals - Screwless > WAGO Screwless Terminals > Series 2002 - 2.5mm2 TOPJOB S Terminals > Series 2002 - Through Terminals



Protection Method(s) - Gas	Increased Safety "e"
Certificate Number	IECEX PTB 03.0004U
Certificate URL	http://iecex.iec.ch/iecex/IECEXWeb.nsf/CoCHistory/IECEX%20PTB%2003.00044
Ex e, Un, Rated Voltage	550 V
Ex e, In, Rated Current	22 A
Ex e, In, Rated Current with Jumper	20 A
Height	48.5 mm
Width	5.2 mm
Depth	32.9 mm
Weight	0.005079 kg
Standards Compliance	EN 60947-7-1 IEC 60947-7-1
Certifications	CCA CSA GOST-R KEMA PTB RoHS UL
Shipping Approvals	ABS (American Bureau of Shipping) DNV-GL (Det Norske Veritas Germanischer Lloyd) Lloyd's Register of Shipping PRS (Polish Register of Shipping)

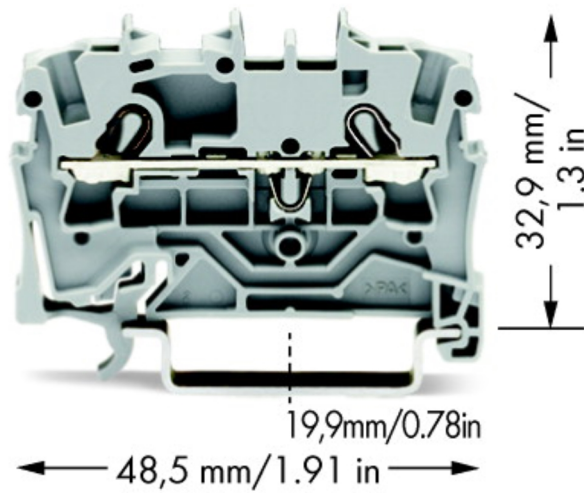
REFERENCES

IECEX Certificate	IECEX PTB 03.0004U
Supplier Declaration of Conformity:	-
Installation Guide:	-
User Manual:	-
Manufacturer Datasheet:	-
Manufacturer Catalogue & Product Selection:	20021201_Manufacturer Catalogue

Catalogue No: **2002-1201**

SCREWLESS TERMINAL 2.5mm² 2 CONDUCTOR 24A GREY

Termination and Wiring Systems > Terminals and Pre-Wired Cables > Terminals - Screwless > WAGO Screwless Terminals > Series 2002 - 2.5mm² TOPJOB S Terminals > Series 2002 - Through Terminals



Dimension Diagram



Connection / Wiring Diagram