

**NEMA 12B Straight Tray [HG]**

**Cable Laying Depth:** 44mm

**Loading Data:**

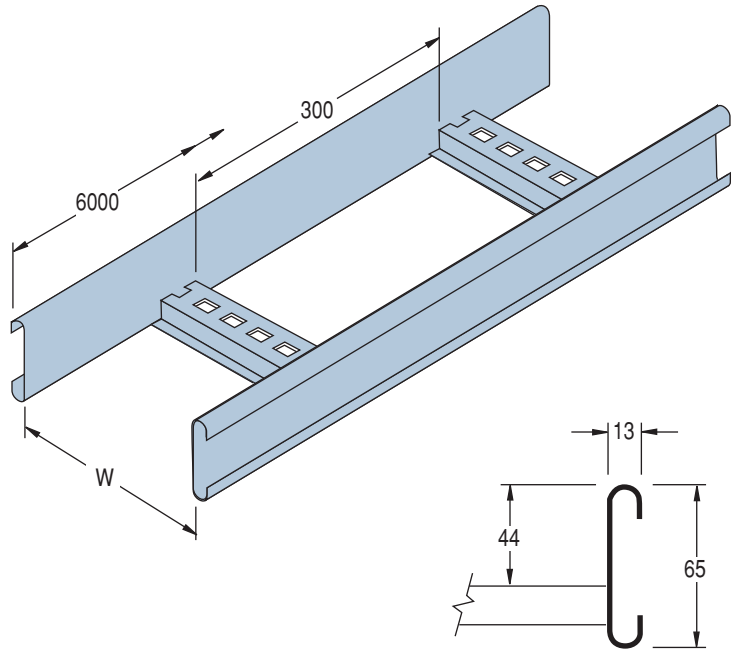
Basic Load Capacity  
112kg/lin.m on 3.6m span

**Length:** 4m & 6m

**Rung Spacing:** 300mm nominal

**Standard Finish:** Hot Dipped Galvanised

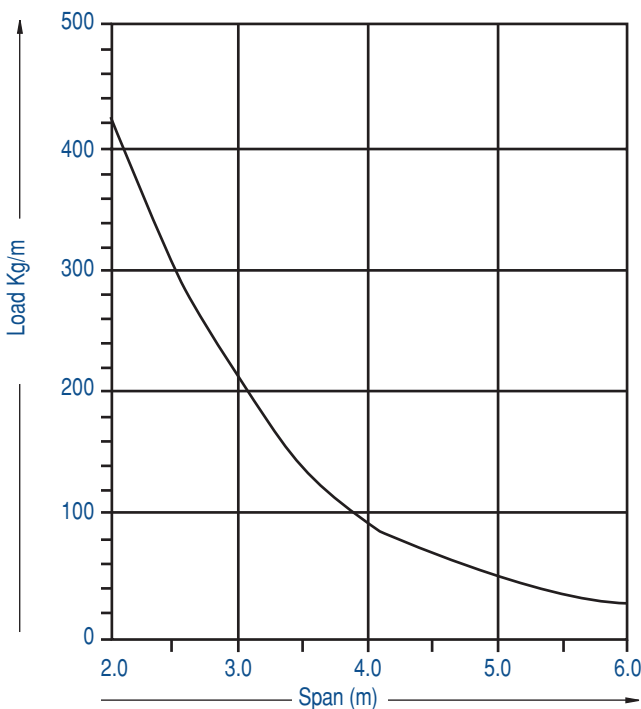
Also available in Stainless Steel  
(3m length, part no. LUE)



Dim "W"	Type	Part No.	
		4m	6m
150	12B	LEE101	LEE1016
300	12B	LEE103	LEE1036
450	12B	LEE104	LEE1046
600	12B	LEE106	LEE1066

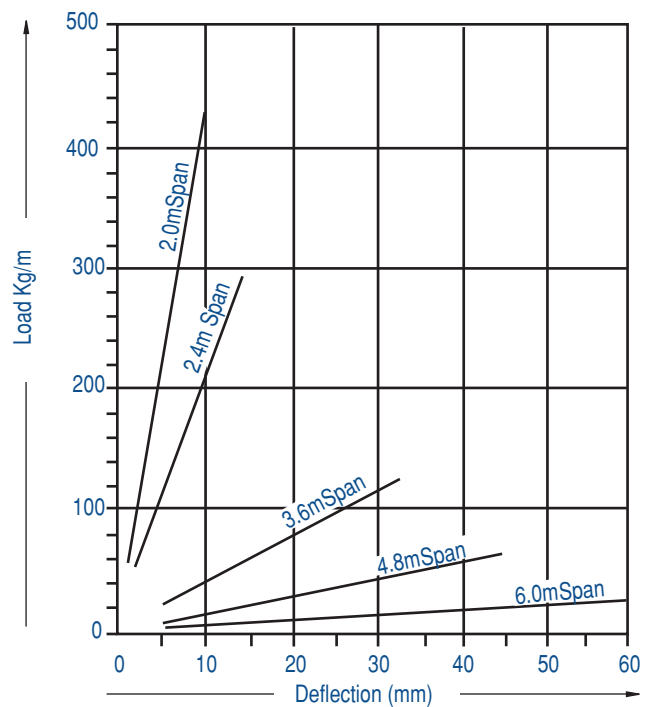
• Splice plate & fixing screws are not included (order separately).

**Allowable Load Graph**



Allowable loads are determined generally in accordance with NEMA Standard VE1 and verified by testing.  
Safety Factor = 1.5 on collapse load for single span.

**Deflection Graph**



Deflections shown apply to the end-bays (ie. worst case) of a continuous ladder run. To find deflection of a single span, multiply by 2.5.