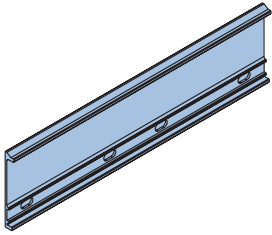
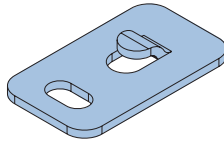


# Electrical - Aluminium Shaped Accessories



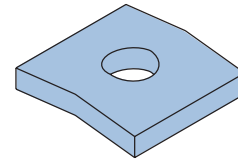
Splice Plate

Type	Part No.
12A	LAD30
20A	LAH30
20C	LAL30



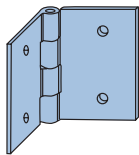
General Hold-Down Bracket

Type	Part No.
12A, 20A	LAD50
20C	LAL50



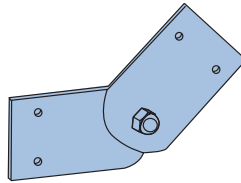
Rigid Hold Down Bracket

Type	Part No.
All Alum. Sys.	LAM50



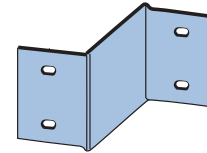
Hinged Horizontal Splice

Type	Part No.
12A	LAD35
20A	LAH35
20C	LAL35



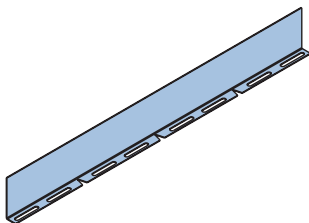
Hinged Vertical Splice

Type	Part No.
12A	LAD36
20A	LAH36
20C	LAL36



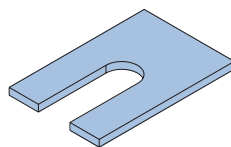
Reducer Splice

Type	Width (mm)	Part No.
12A	75W	LAD380
12A	150W	LAD381
12A	300W	LAD383
20A	75W	LAH380
20A	150W	LAH381
20A	300W	LAH383
20C	75W	LAL380
20C	150W	LAL381
20C	300W	LAL383



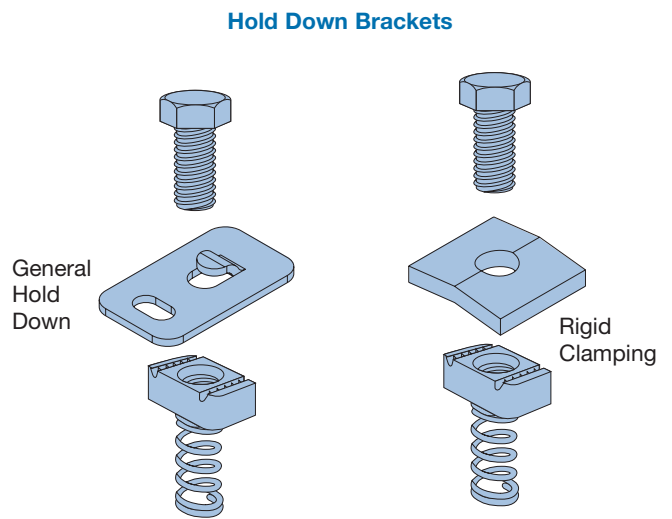
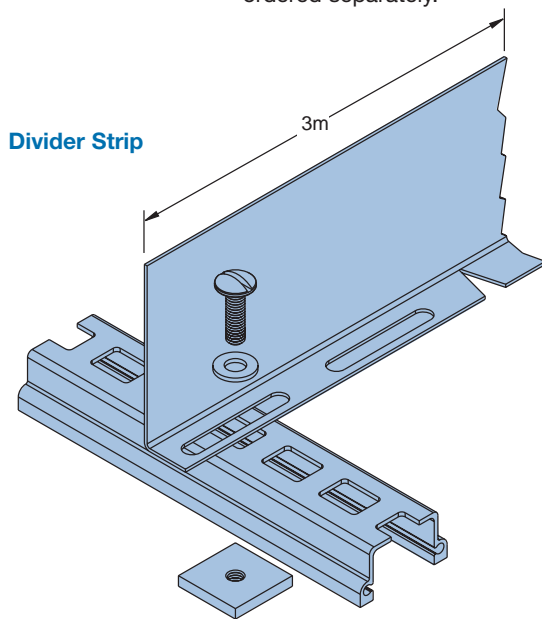
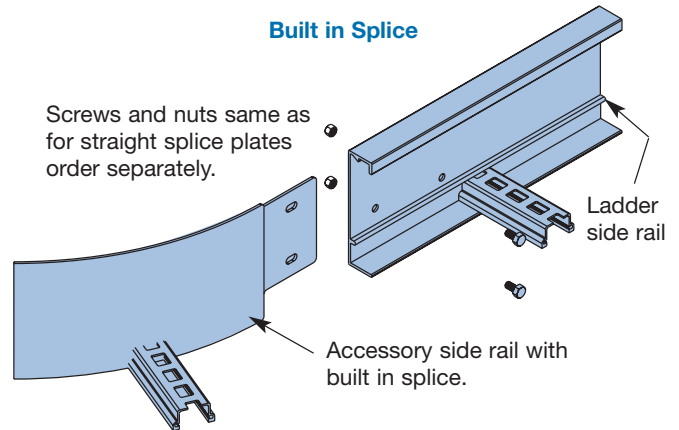
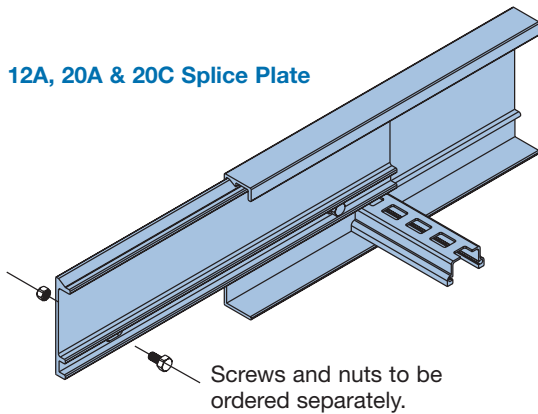
Divider Strip

Type	Part No.
All Alum. Sys.	LAM55



Interface Spacer

Type	Part No.
All Alum. Sys.	LAM54



Used to separate cables of different voltages or circuits. The notched base permits forming to the required shape. Fix at 1m centres.

Can be positioned at any point along ladder length. Brackets provide rigid clamping for all aluminium systems.

## Fasteners

Type	Description	Code No.
12A, 20A	Splice Nut	LAD41
12A, 20A	Splice Screw	LAD42
12A, 20A	General Hold-Down Brkt. Screw	HHS1225SS
12A, 20A	General Hold-Down Brkt. Nut	P1013SS
12A, 20A	General Hold-Down Brkt. Washer	FW12SS
20C	Splice Nut	LAL41
20C	Splice Screw	LAL42
20C	General Hold Down Brkt. Screw	HHS1230SS
20C	General Hold Down Brkt. Nut	P1013SS
20C	General Hold Down Brkt. Washer	FW12SS
All Alum. Sys.	Divider Strip Screw	LAM56
All Alum. Sys.	Divider Strip Washer	FW06SS
All Alum. Sys.	Divider Strip Nut	LAM57
All Alum. Sys.	Rigid Hold Down Brkt. Screw	HHS1230SS
All Alum. Sys.	Rigid Hold Down Brkt. Nut	P1013SS