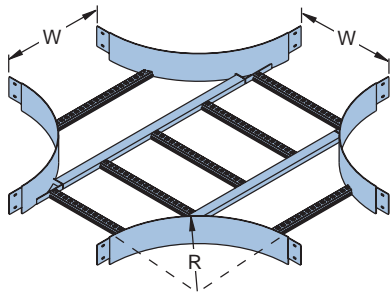
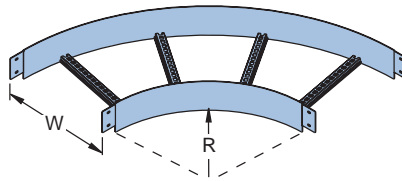


Electrical - Aluminium Shaped Accessories



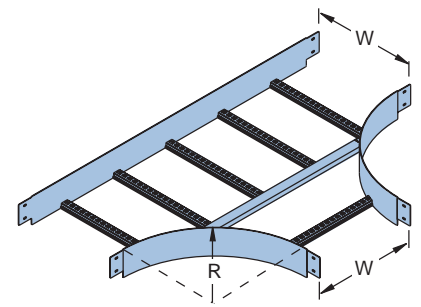
Cross

Type	Rad "R"	Width "W"	Part No.
12A	300	150	LAD181
12A	300	300	LAD183
12A	300	450	LAD184
12A	300	600	LAD186
20A	450	150	LAH181
20A	450	300	LAH183
20A	450	450	LAH184
20A	450	600	LAH186
20C	600	150	LAL181
20C	600	300	LAL183
20C	600	450	LAL184
20C	600	600	LAL186



Flat Bend - 90°

Type	Rad "R"	Width "W"	Part No.
12A	300	150	LAD111
12A	300	300	LAD113
12A	300	450	LAD114
12A	300	600	LAD116
20A	450	150	LAH111
20A	450	300	LAH113
20A	450	450	LAH114
20A	450	600	LAH116
20C	600	150	LAL111
20C	600	300	LAL113
20C	600	450	LAL114
20C	600	600	LAL116



Tee

Type	Rad "R"	Width "W"	Part No.
12A	300	150	LAD191
12A	300	300	LAD193
12A	300	450	LAD194
12A	300	600	LAD196
20A	450	150	LAH191
20A	450	300	LAH193
20A	450	450	LAH194
20A	450	600	LAH196
20C	600	150	LAL191
20C	600	300	LAL193
20C	600	450	LAL194
20C	600	600	LAL196