

Specifications

- Standard Length 6.0 metres.
- Overall height 75 mm
- Cable laying depth 60 mm

Surface Finish

Available Finish

Hot Dip Galvanised

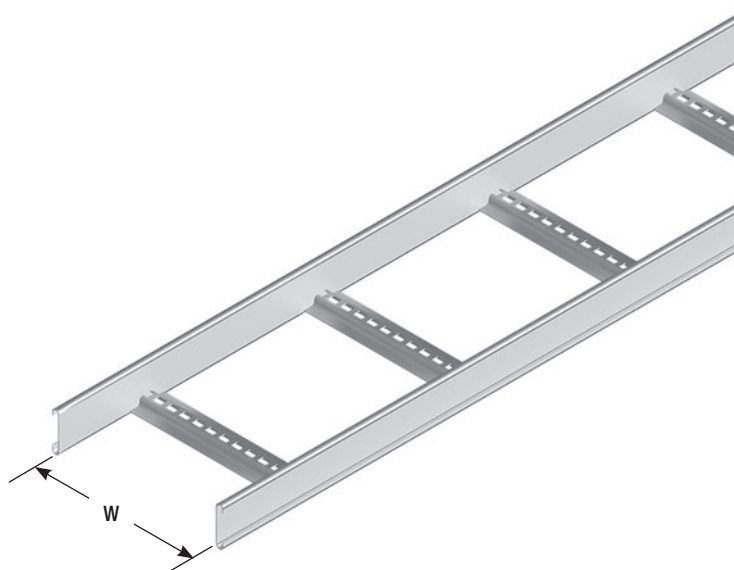
Code

H

Note

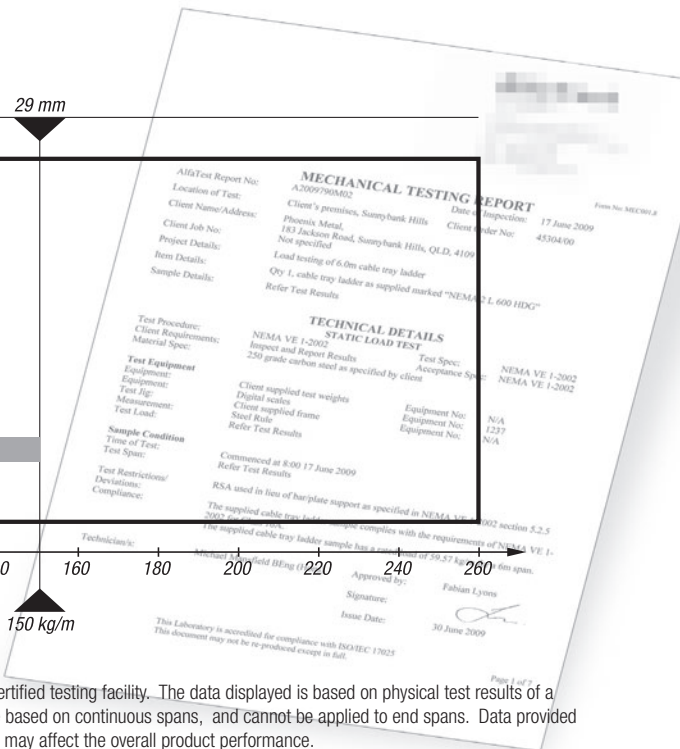
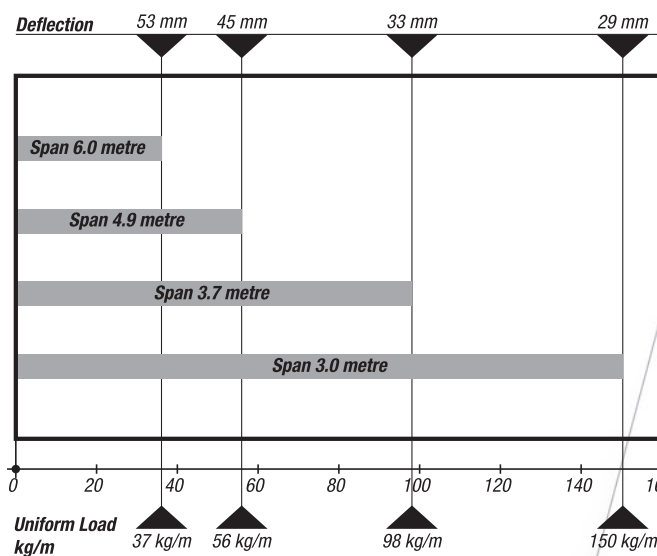
- Stainless steel products are manufactured against firm orders only. They are non returnable and the order cannot be cancelled.

Cable Laying Width W mm	Ordering Code	Width Overall mm
150	N1L150H	176
300	N1L300H	326
450	N1L450H	476
600	N1L600H	926



Nema 1 Cable Ladder

Load and Deflection - Nema 1 Steel

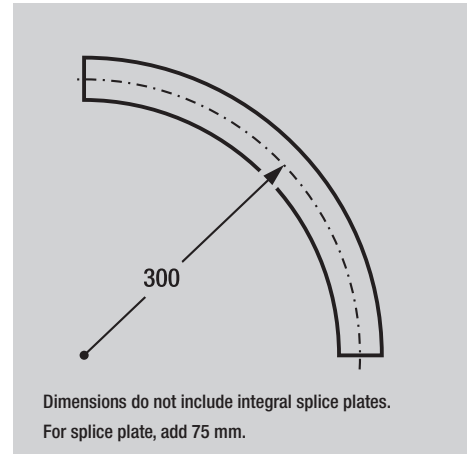
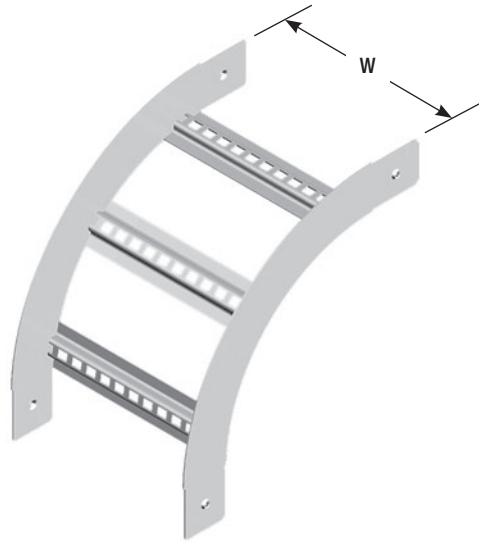


Nema 1 Cable Ladder has been tested in accordance with the Nema requirements by a NATA certified testing facility. The data displayed is based on physical test results of a 600 wide section and may vary for other widths. The Deflections have been provided as a guide based on continuous spans, and cannot be applied to end spans. Data provided assumes that the installation will be carried out in accordance with Nema VE2, non compliance may affect the overall product performance.

NEMA 1 NEMA 1

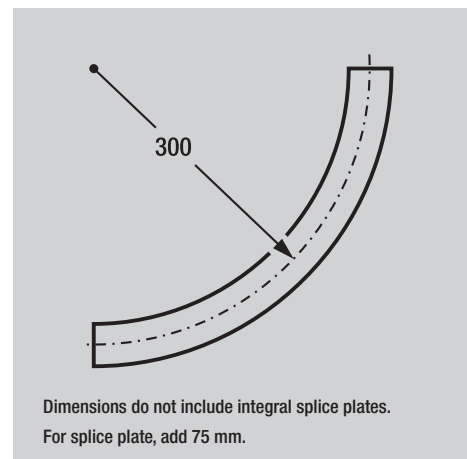
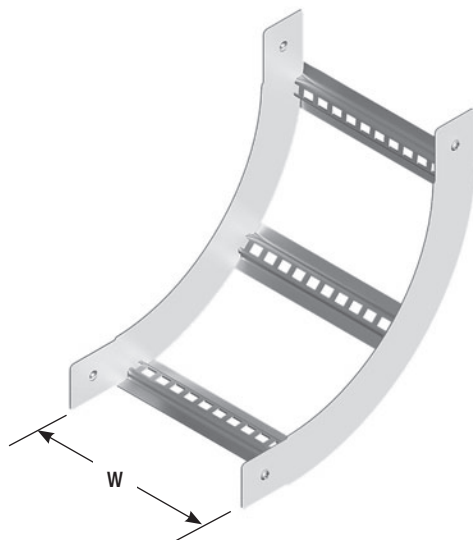
- channel
- fasteners
- cantilever brackets
- channel fittings
- tray systems
- steel cable ladders
- aluminium cable ladders
- covers





Ordering Code	Width W mm
N1ER1503H	150
N1ER3003H	300
N1ER4503H	450
N1ER6003H	600
N1ER9003H	900

**NEMA 1 Cable Ladder - External Riser**



Ordering Code	Width W mm
N1IR1503H	150
N1IR3003H	300
N1IR4503H	450
N1IR6003H	600
N1IR9003H	900

**NEMA 1 Cable Ladder - Internal Riser**

NEMA 1 NEMA 1

channel  
fasteners  
cantilever brackets  
channel fittings  
tray systems  
steel cable ladders  
aluminium cable ladders  
covers





Ordering Code: N1SH  
Two required per joint



---

**NEMA 1 Splice Plate**

Ordering Code: N1VSH  
Two required per joint



---

**NEMA 1 Vertical Splice Plate**

Ordering Code: N1HSH  
Two required per joint



---

**NEMA Horizontal 1 Splice Plate**

Ordering Code: N1CC  
Supplied complete with cone screw.



---

**NEMA 1 Cover Clamp**

NEMA 1  
NEMA 1  
NEMA 1  
NEMA 1  
NEMA 1  
NEMA 1  
NEMA 1  
NEMA 1  
NEMA 1  
NEMA 1  
NEMA 1  
NEMA 1  
NEMA 1  
NEMA 1



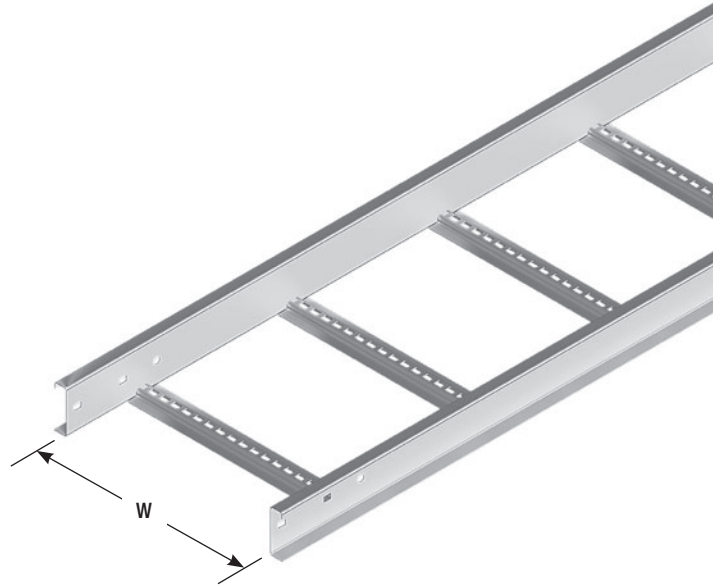
- Specifications**
- Standard Length 6.0 metres.
  - Overall height 93 mm
  - Cable laying depth 75 mm

**Surface Finish**

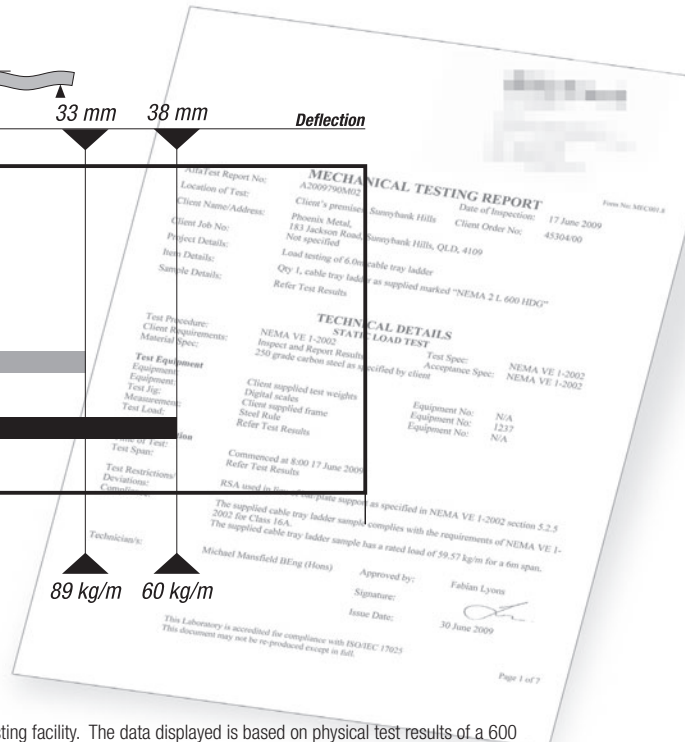
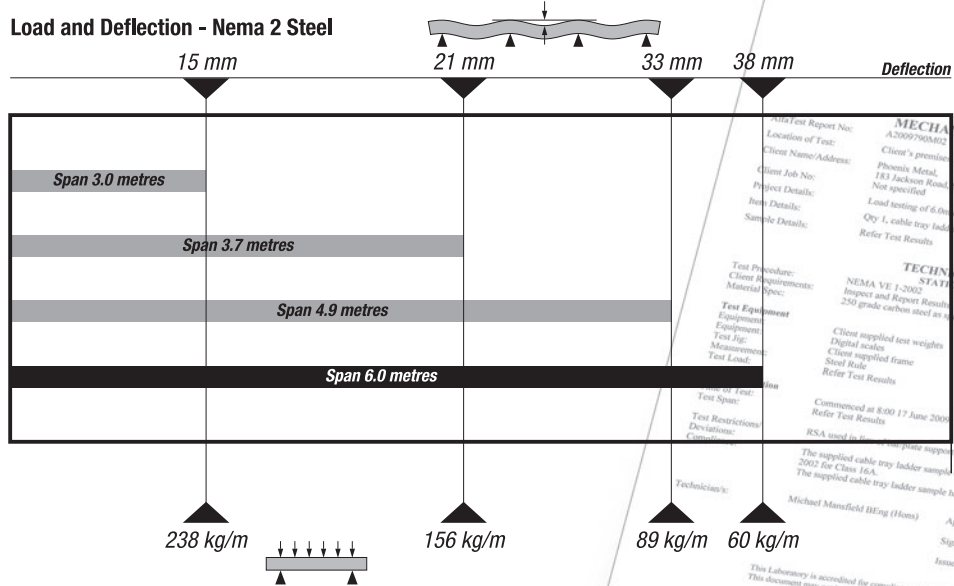
Available Finish	Code
Hot Dip Galvanised	H
Stainless Steel	S

**Note** - Stainless steel products are manufactured against firm orders only and are non returnable.

Cable Laying Width W mm	Ordering Code		Width Overall mm
	Hot Dip Galvanised	Stainless Steel	
150	N2L150H	N2L150S	214
300	N2L300H	N2L300S	364
450	N2L450H	N2L450S	514
600	N2L600H	N2L600S	664
900	N2L900H	N2L900S	964



**Nema 2 Cable Ladder**



Nema 2 Cable Ladder has been tested in accordance with the Nema requirements by a NATA certified testing facility. The data displayed is based on physical test results of a 600 wide section and may vary for other widths. The Deflections have been provided as a guide based on continuous spans, and cannot be applied to end spans. Data provided assumes that the installation will be carried out in accordance with Nema VE2, non compliance may affect the overall product performance.



**Specifications**

- Standard Length 6.0 metres.
- Overall height 93 mm
- Cable laying depth 75 mm

**Standard Product in Western Australia**

**Surface Finish**

**Available Finish**

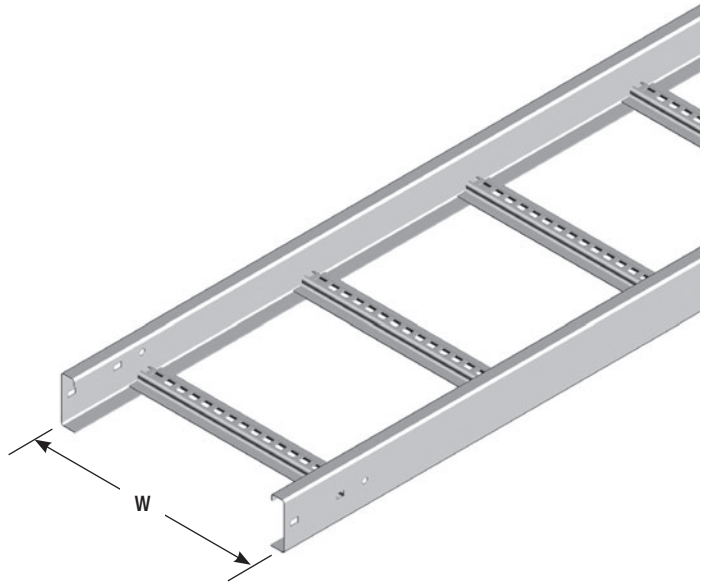
**Code**

- Hot Dip Galvanised H
- Stainless Steel S

**Note**

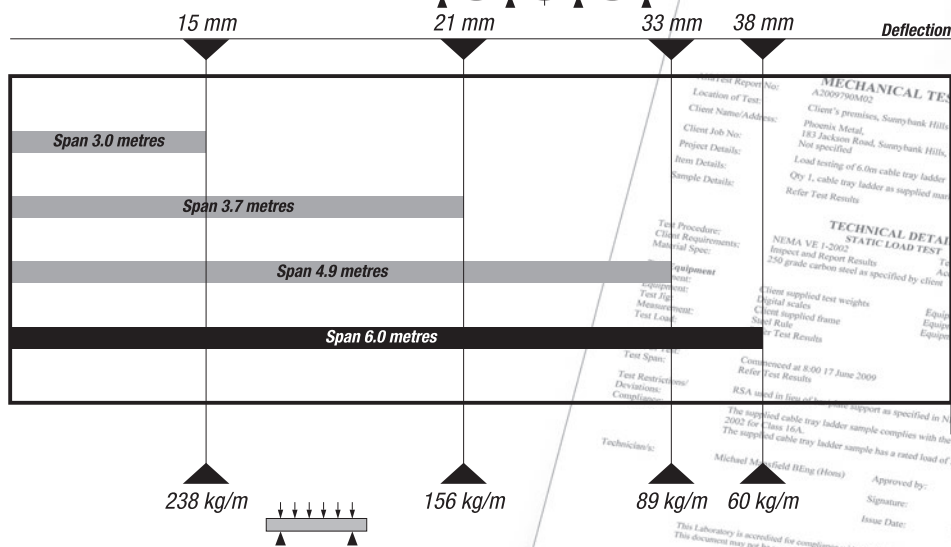
- Stainless steel products are manufactured against firm orders only and are non returnable.

Cable Laying Width W mm	Ordering Code		Width Over mm
	Hot Dip Galvanised	Stainless Steel	
150	N2L150RIH	N2L150RIS	154
300	N2L300RIH	N2L300RIS	304
450	N2L450RIH	N2L450RIS	454
600	N2L600RIH	N2L600RIS	604
900	N2L900RIH	N2L900RIS	904



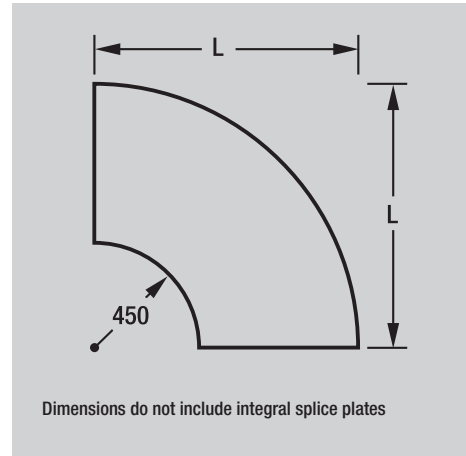
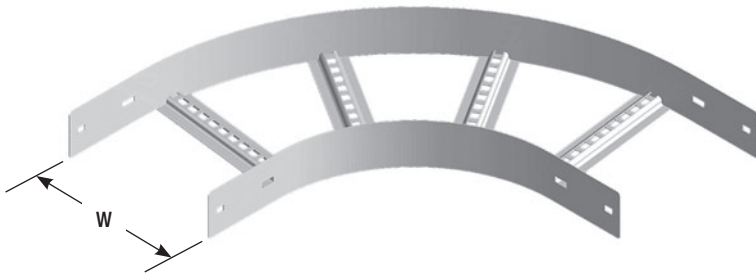
**Nema 2 Cable Ladder**

**Load and Deflection - Nema 2 Steel**



Nema 2 Cable Ladder has been tested in accordance with the Nema requirements by a NATA certified testing facility. The data displayed is based on physical test results of a 600 wide section and may vary for other widths. The Deflections have been provided as a guide based on continuous spans, and cannot be applied to end spans. Data provided assumes that the installation will be carried out in accordance with Nema VE2, non compliance may affect the overall product performance.

NEMA 2 NEMA 2 NEMA 2 NEMA 2 NEMA 2 NEMA 2 NEMA 2 NEMA 2 NEMA 2 NEMA 2



Order fasteners separately for installation. 8 x Splice Bolts (SBH) & 8 x Splice Nuts (SNH) required.

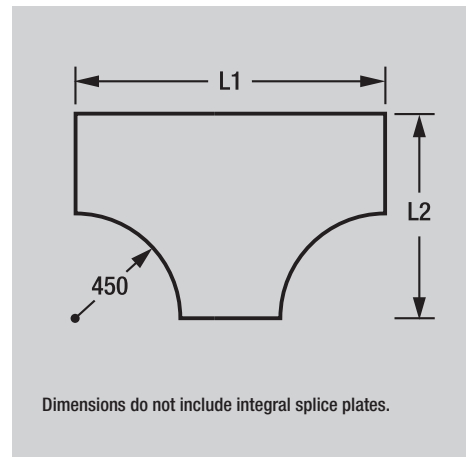
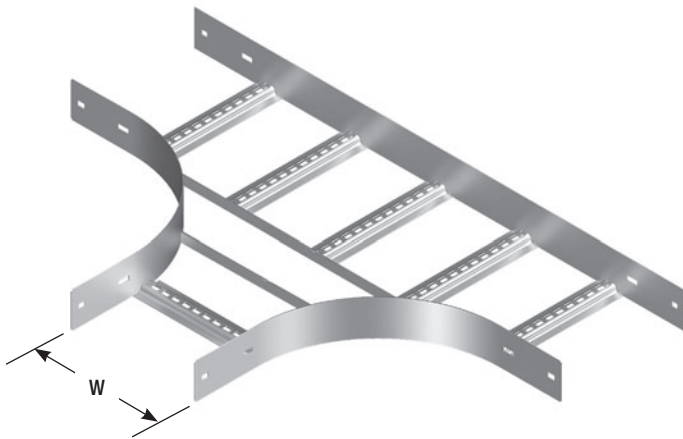
Non standard radius fittings can be manufactured against firm orders, and are non returnable.

Stainless Steel is only manufactured against firm orders and is non returnable.

Ordering Code	Width W mm	Length L mm
N2B1504	150	600
N2B3004	300	750
N2B4504	450	900
N2B6004	600	1050
N2B9004	900	1350

**H** Hot Dip Galvanised  
**S** Stainless Steel

**NEMA 2 Cable Ladder - Bend**



Ordering Code	Width W mm	Length L1 mm	Length L2 mm
N2T1504	150	1050	600
N2T3004	300	1200	750
N2T4504	450	1350	900
N2T6004	600	1500	1050
N2T9004	900	1800	1350

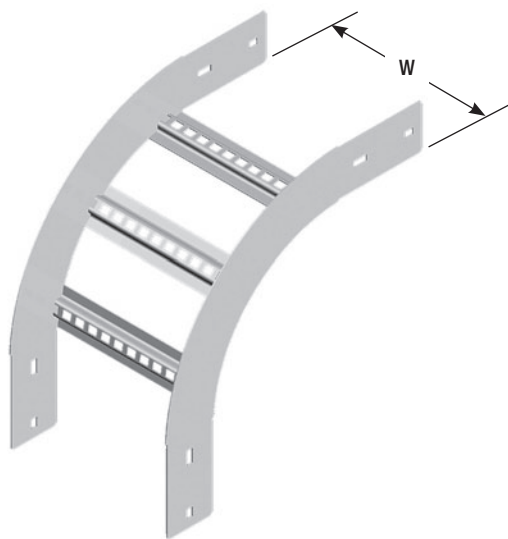
**H** Hot Dip Galvanised  
**S** Stainless Steel

Order fasteners separately for installation. 8 x Splice Bolts (SBH) & 8 x Splice Nuts (SNH) required.

Non standard radius fittings can be manufactured against firm orders, and are non returnable.

Stainless Steel is only manufactured against firm orders and is non returnable.

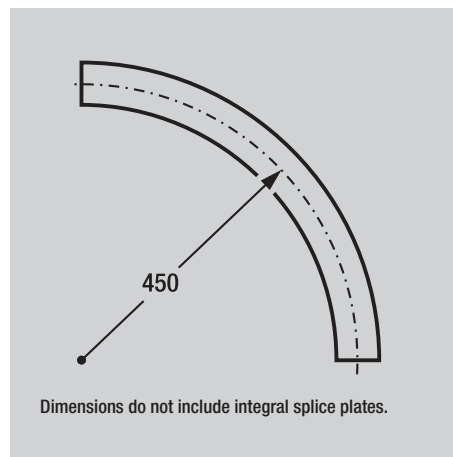
**NEMA 2 Cable Ladder - Tee**



Order fasteners separately for installation. 8 x Splice Bolts (SBH) & 8 x Splice Nuts (SNH) required.

Non standard radius fittings can be manufactured against firm orders, and are non returnable.

Stainless Steel is only manufactured against firm orders and is non returnable.

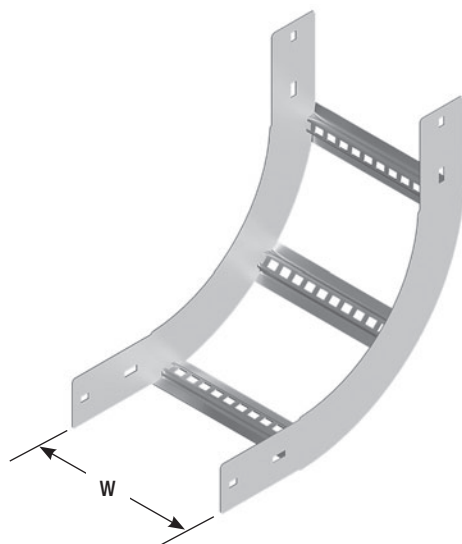


Dimensions do not include integral splice plates.

Ordering Code	Width W mm
N2ER1504	150
N2ER3004	300
N2ER4504	450
N2ER6004	600
N2ER9004	900

**H** Hot Dip Galvanised  
**S** Stainless Steel

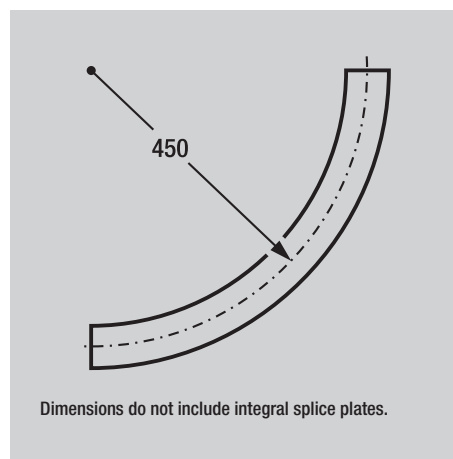
**NEMA 2 Cable Ladder - External Riser**



Order fasteners separately for installation. 8 x Splice Bolts (SBH) & 8 x Splice Nuts (SNH) required.

Non standard radius fittings can be manufactured against firm orders, and are non returnable.

Stainless Steel is only manufactured against firm orders and is non returnable.



Dimensions do not include integral splice plates.

Ordering Code	Width W mm
N2IR1504	150
N2IR3004	300
N2IR4504	450
N2IR6004	600
N2IR9004	900

**H** Hot Dip Galvanised  
**S** Stainless Steel

**NEMA 2 Cable Ladder - Internal Riser**

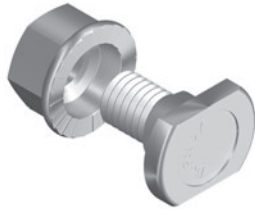
NEMA 2 NEMA 2

channel  
fasteners  
cantilever brackets  
channel fittings  
tray systems  
steel cable ladders  
aluminium cable ladders  
covers









Both items are ordered separately.  
Splice Bolts have a smooth head to eliminate the risk of sheathing the cable during installation.  
Special counterbore nuts ensure that correct tension is achieved during installation.

### SBH Splice Bolt & SNH Splice Nut

Ordering Code: N2CC  
Supplied complete with cone screw.

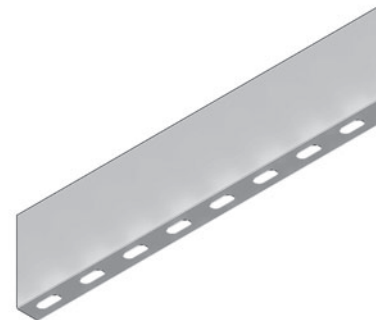


### NEMA 2 Cover Clamp

Ordering Code: DSN2  
Standard Finish: Galvabond. Hot dip galvanised and stainless steel can be supplied against a firm order.  
Note: Order B3016 and PS620 separately for installation.

Ordering Code **DSN2** \_

- G** Galvabond
- H** Hot Dip Galvanised
- S** Stainless Steel

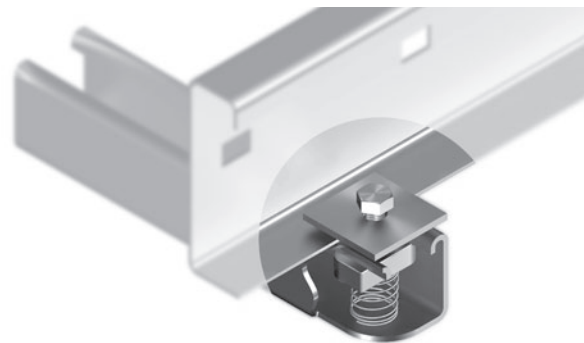


### NEMA 2 Divider Strip

Ordering Code: HDK  
Supplied with zinc plated fasteners as standard. Hot dip galvanised can be supplied on request.  
Note: Should be used in pairs.

Ordering Code **HDK** \_

- Z** Zinc Plated
- H** Hot Dip Galvanised
- S** Stainless Steel



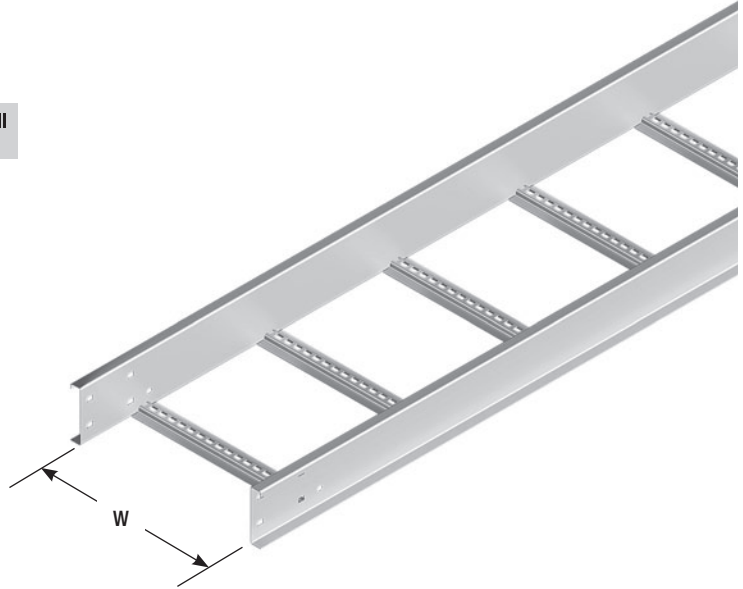
### NEMA 2 Hold Down Kit

- Specifications**
- Standard Length 6.0 metres.
  - Overall height 130 mm
  - Cable laying depth 112 mm

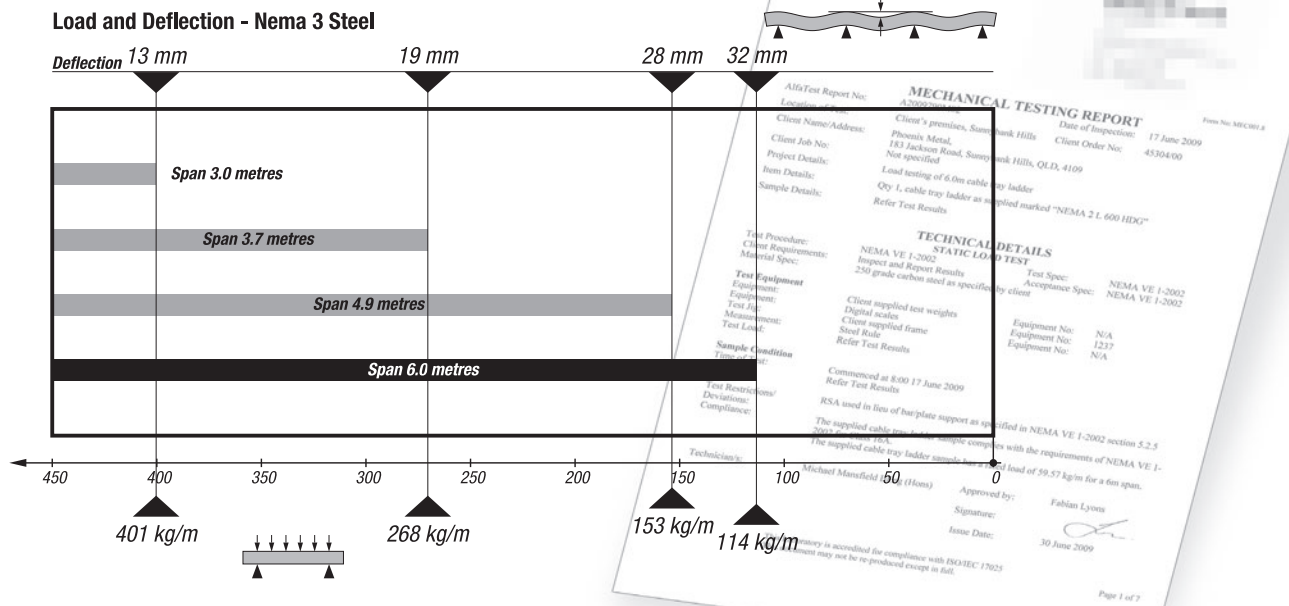
<b>Surface Finish</b>	<b>Available Finish</b>	<b>Code</b>
	Hot Dip Galvanised	H
	Stainless Steel	S

**Note** - Stainless steel products are manufactured against firm orders only and are non returnable.

Cable Laying Width W mm	Ordering Code		Width Overall mm
	Hot Dip Galvanised	Stainless Steel	
150	N3L150H	N3L150S	214
300	N3L300H	N3L300S	364
450	N3L450H	N3L450S	514
600	N3L600H	N3L600S	664
900	N3L900H	N3L900S	964



**Nema 3 Cable Ladder**



Nema 3 Cable Ladder has been tested in accordance with the Nema requirements by a NATA certified testing facility. The data displayed is based on physical test results of a 600 wide section and may vary for other widths. The Deflections have been provided as a guide based on continuous spans, and cannot be applied to end spans. Data provided assumes that the installation will be carried out in accordance with Nema VE2, non compliance may affect the overall product performance.



**Specifications**

- Standard Length 6.0 metres.
- Overall height 130 mm
- Cable laying depth 112 mm

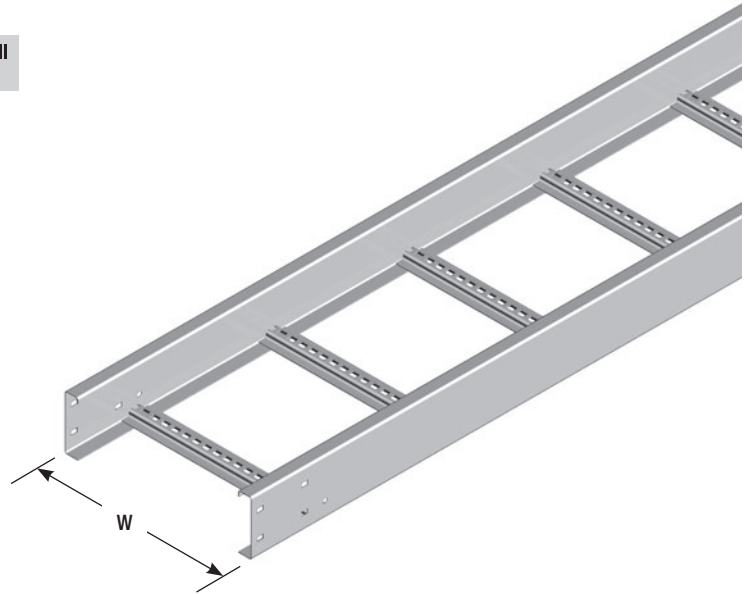
<b>Surface Finish</b>	<b>Available Finish</b>	<b>Code</b>
	Hot Dip Galvanised	H
	Stainless Steel	S

**Note**

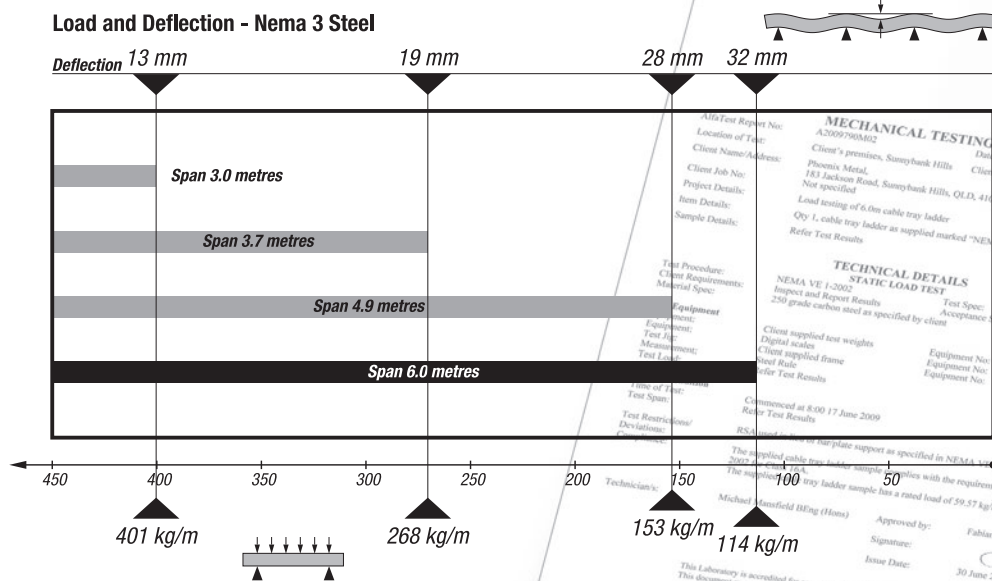
- Stainless steel products are manufactured against firm orders only and are non returnable.

Standard Product in Western Australia

Cable Laying Width W mm	Ordering Code		Width Overall mm
	Hot Dip Galvanised	Stainless Steel	
150	N3L150RIH	N3L150RIS	154
300	N3L300RIH	N3L300RIS	304
450	N3L450RIH	N3L450RIS	454
600	N3L600RIH	N3L600RIS	604
900	N3L900RIH	N3L900RIS	904



**Nema 3 Cable Ladder**



Nema 3 Cable Ladder has been tested in accordance with the Nema requirements by a NATA certified testing facility. The data displayed is based on physical test results of a 600 wide section and may vary for other widths. The Deflections have been provided as a guide based on continuous spans, and cannot be applied to end spans. Data provided assumes that the installation will be carried out in accordance with Nema VE2, non compliance may affect the overall product performance.

channel

fasteners

cantilever brackets

channel fittings

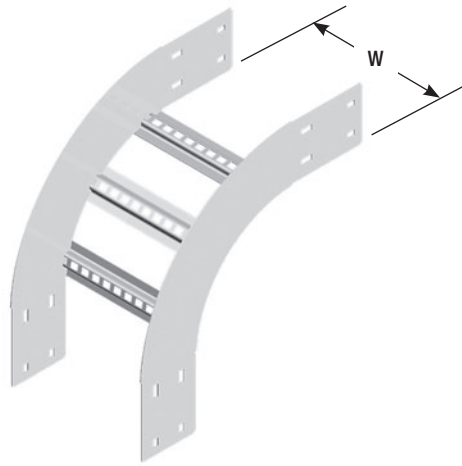
tray systems

steel cable ladders

aluminium cable ladders

covers

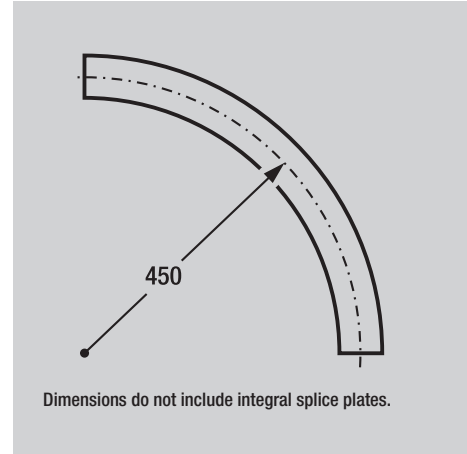




Order fasteners separately for installation. 8 x Splice Bolts (SBH) & 8 x Splice Nuts (SNH) required.

Non standard radius fittings can be manufactured against firm orders, and are non returnable.

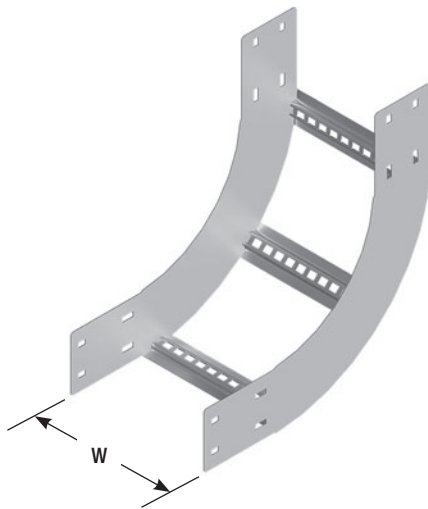
Stainless Steel is only manufactured against firm orders and is non returnable.



Ordering Code	Width W mm
N3ER1504	150
N3ER3004	300
N3ER4504	450
N3ER6004	600
N3ER9004	900

● H Hot Dip Galvanised  
 ◓ S Stainless Steel

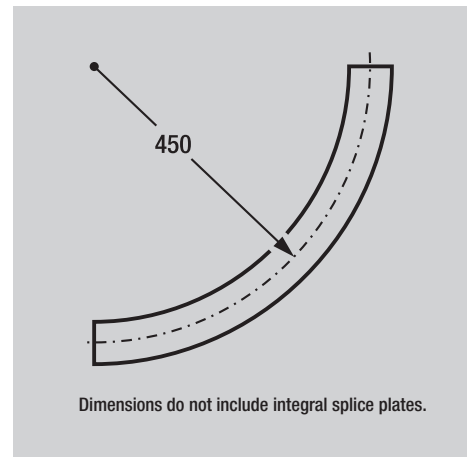
**NEMA 3 Cable Ladder - External Riser**



Order fasteners separately for installation. 8 x Splice Bolts (SBH) & 8 x Splice Nuts (SNH) required.

Non standard radius fittings can be manufactured against firm orders, and are non returnable.

Stainless Steel is only manufactured against firm orders and is non returnable.



Ordering Code	Width W mm
N31R1504	150
N31R3004	300
N31R4504	450
N31R6004	600
N31R9004	900

● H Hot Dip Galvanised  
 ◓ S Stainless Steel

**NEMA 3 Cable Ladder - Internal Riser**

NEMA 3 NEMA 3

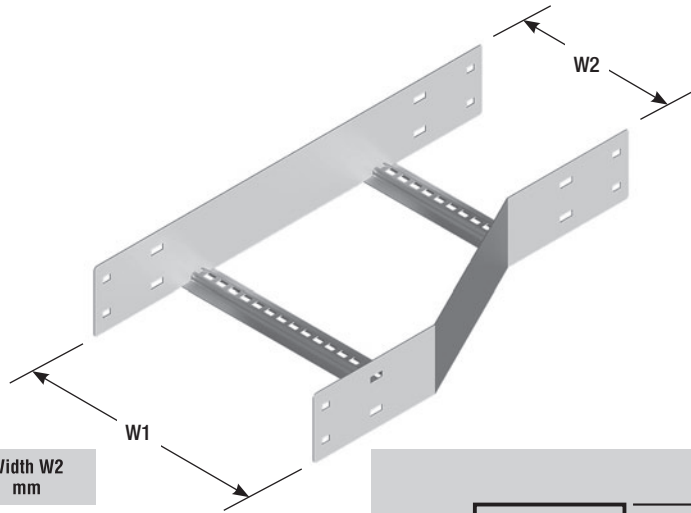
channel  
 fasteners  
 cantilever brackets  
 channel fittings  
 tray systems  
 steel cable ladders  
 aluminium cable ladders  
 covers



Order fasteners separately for installation.

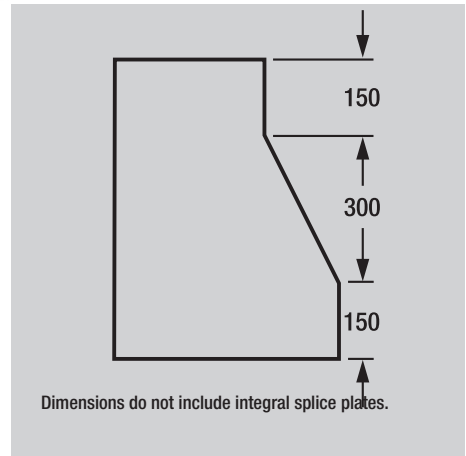
8 x Splice Bolts (SBH) & 8 x Splice Nuts (SNH) required.

All Reducers are manufactured against firm orders, and are non returnable.



Ordering Code	Width W1 mm	Width W2 mm
N3LHR300150	300	150
N3LHR450150	450	150
N3LHR450300	450	300
N3LHR600150	600	150
N3LHR600300	600	300
N3LHR600450	600	450
N3LHR900150	900	150
N3LHR900300	900	300
N3LHR900450	900	450
N3LHR900600	900	600

● H Hot Dip Galvanised  
 ○ S Stainless Steel

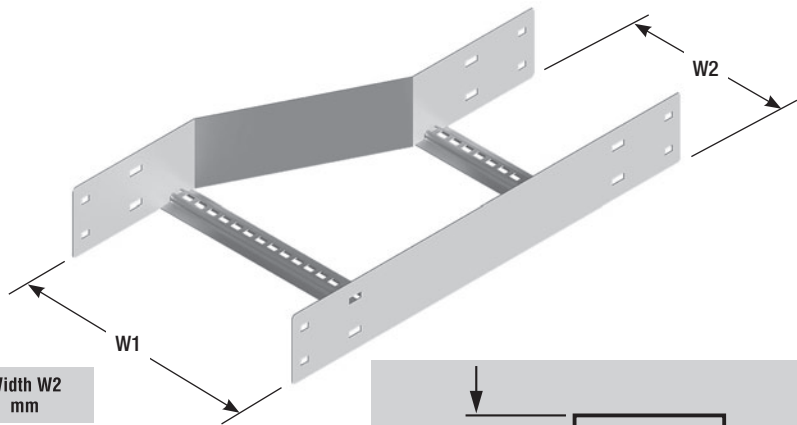


**NEMA 3 Cable Ladder - Left Hand Reducer**

Order fasteners separately for installation.

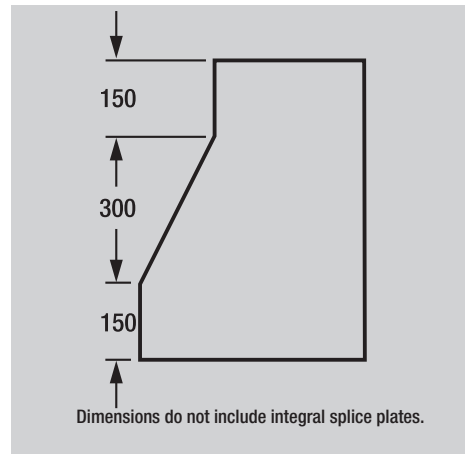
8 x Splice Bolts (SBH) & 8 x Splice Nuts (SNH) required.

All Reducers are manufactured against firm orders and are non returnable.



Ordering Code	Width W1 mm	Width W2 mm
N3RHR300150	300	150
N3RHR450150	450	150
N3RHR450300	450	300
N3RHR600150	600	150
N3RHR600300	600	300
N3RHR600450	600	450
N3RHR900150	900	150
N3RHR900300	900	300
N3RHR900450	900	450
N3RHR900600	900	600

● H Hot Dip Galvanised  
 ○ S Stainless Steel



**NEMA 3 Cable Ladder - Right Hand Reducer**

NEMA 3 NEMA 3 NEMA 3 NEMA 3 NEMA 3 NEMA 3 NEMA 3 NEMA 3 NEMA 3 NEMA 3 NEMA 3 NEMA 3 NEMA 3 NEMA 3 NEMA 3 NEMA 3 NEMA 3 NEMA 3 NEMA 3

channel  
fasteners  
cantilever brackets  
channel fittings  
tray systems  
steel cable ladders  
aluminium cable ladders  
covers





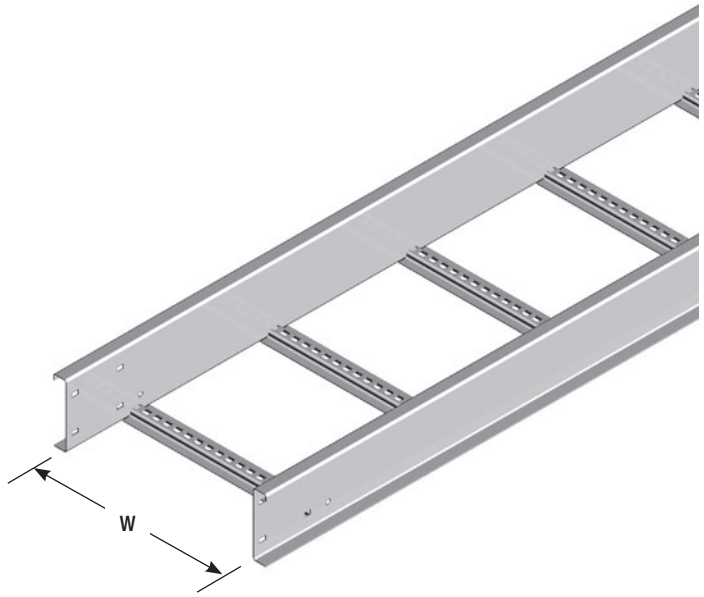
- Specifications**
- Standard Length 6.0 metres.
  - Overall height 150 mm
  - Cable laying depth 130 mm

**Surface Finish**

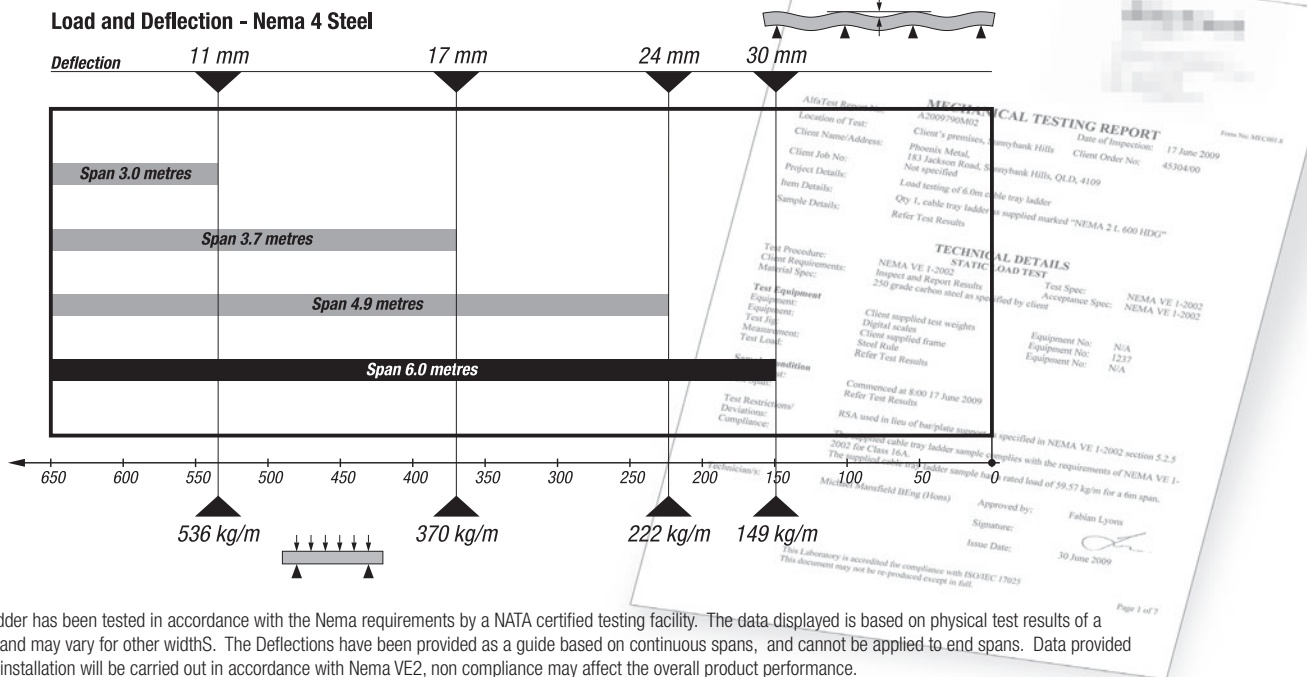
Available Finish	Code
Hot Dip Galvanised	H
Stainless Steel	S

**Note** - Stainless steel products are manufactured against firm orders only and are non returnable.

Cable Laying Width W mm	Ordering Code		Width Overall mm
	Hot Dip Galvanised	Stainless Steel	
150	N4L150H	N4L150S	214
300	N4L300H	N4L300S	364
450	N4L450H	N4L450S	514
600	N4L600H	N4L600S	664
900	N4L900H	N4L900S	964



**Nema 4 Cable Ladder**



Nema 4 Cable Ladder has been tested in accordance with the Nema requirements by a NATA certified testing facility. The data displayed is based on physical test results of a 600 wide section and may vary for other widths. The Deflections have been provided as a guide based on continuous spans, and cannot be applied to end spans. Data provided assumes that the installation will be carried out in accordance with Nema VE2, non compliance may affect the overall product performance.



**Specifications**

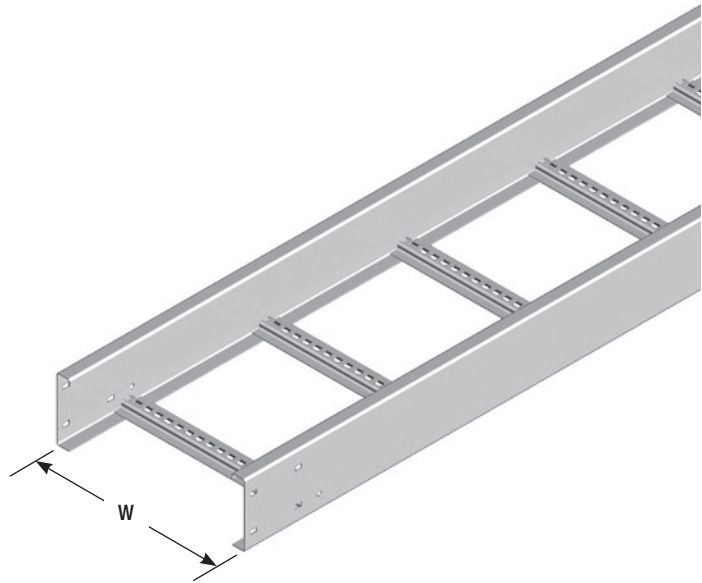
- Standard Length 6.0 metres.
- Overall height 150 mm
- Cable laying depth 130 mm

Standard Product in Western Australia

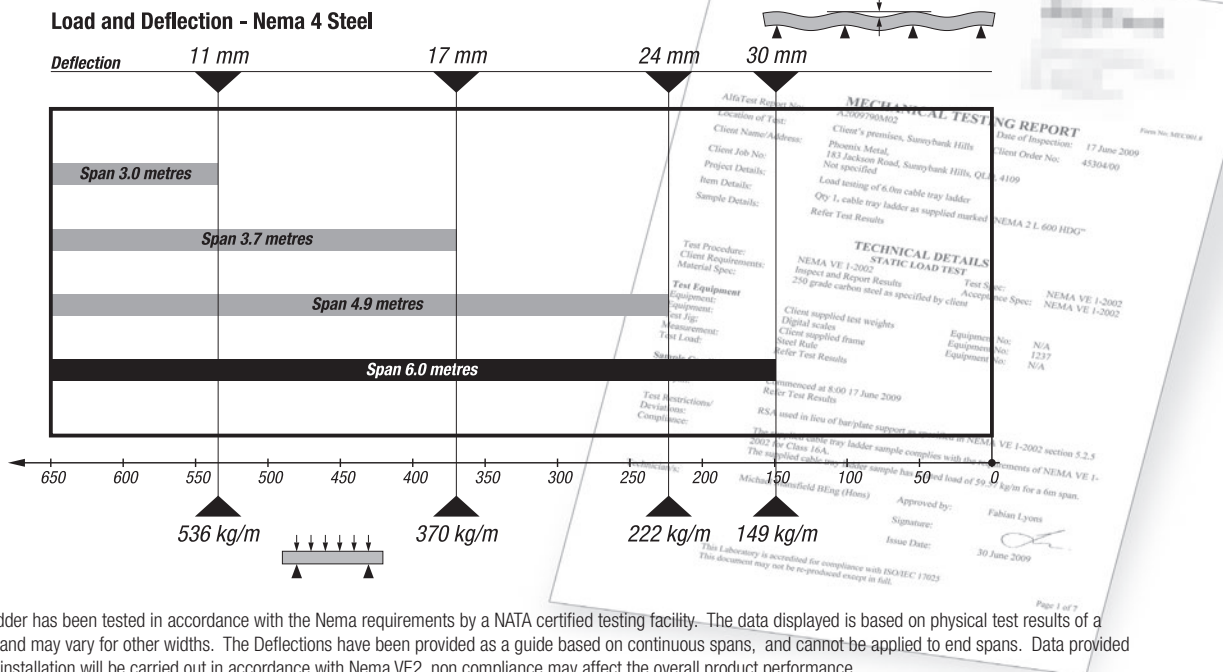
Surface Finish	Available Finish	Code
	Hot Dip Galvanised	H
	Stainless Steel	S

**Note** - Stainless steel products are manufactured against firm orders only and are non returnable.

Cable Laying Width W mm	Ordering Code		Width Overall mm
	Hot Dip Galvanised	Stainless Steel	
150	N4L150RIH	N4L150RIS	154
300	N4L300RIH	N4I300RIS	304
450	N4L450RIH	N4I450RIS	454
600	N4L600RIH	N4I600RIS	604
900	N4L900RIH	N4I900RIS	904



Nema 4 Cable Ladder



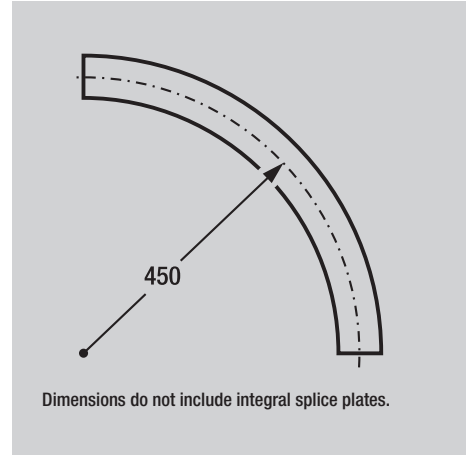
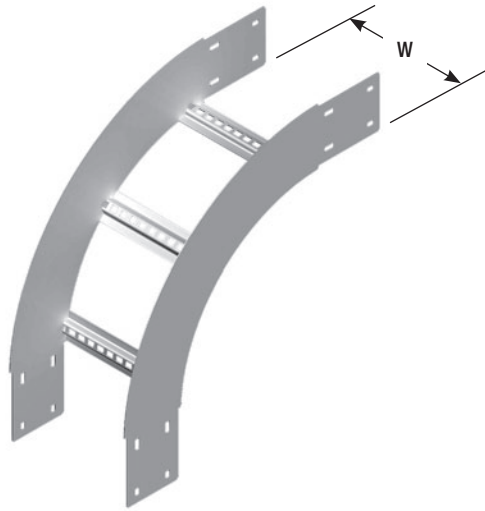
Nema 4 Cable Ladder has been tested in accordance with the Nema requirements by a NATA certified testing facility. The data displayed is based on physical test results of a 600 wide section and may vary for other widths. The Deflections have been provided as a guide based on continuous spans, and cannot be applied to end spans. Data provided assumes that the installation will be carried out in accordance with Nema VE2, non compliance may affect the overall product performance.

NEMA 4 NEMA 4

channel  
fasteners  
cantilever brackets  
channel fittings  
tray systems  
steel cable ladders  
aluminium cable ladders  
covers



NEMA 4  
NEMA 4  
NEMA 4  
NEMA 4  
NEMA 4  
NEMA 4  
NEMA 4  
NEMA 4  
NEMA 4  
NEMA 4  
NEMA 4  
NEMA 4  
NEMA 4  
NEMA 4  
NEMA 4  
NEMA 4  
NEMA 4  
NEMA 4  
NEMA 4  
NEMA 4  
NEMA 4



Order fasteners separately for installation. 8 x Splice Bolts (SBH) & 8 x Splice Nuts (SNH) required.

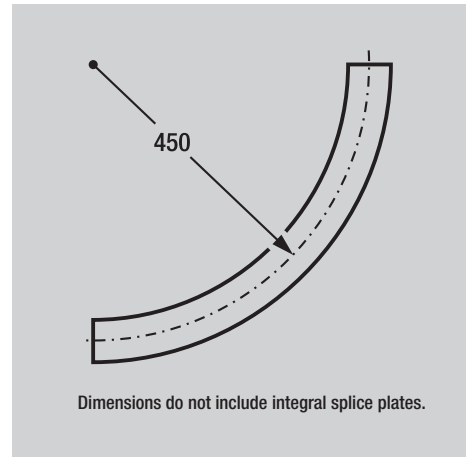
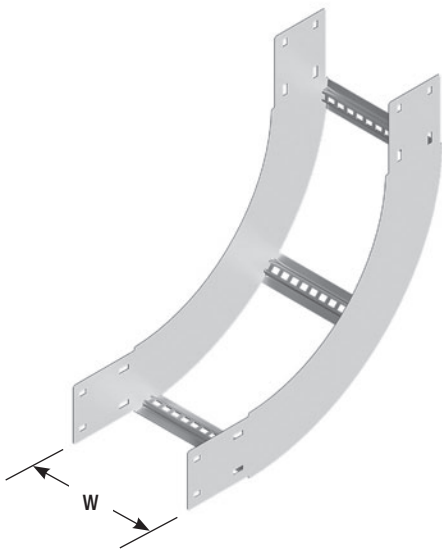
Non standard radius fittings can be manufactured against firm orders, and are non returnable.

Stainless Steel is only manufactured against firm orders and is non returnable.

Ordering Code	Width W mm
N4ER1504	150
N4ER3004	300
N4ER4504	450
N4ER6004	600
N4ER9004	900

-  H Hot Dip Galvanised
-  S Stainless Steel

**NEMA 4 Cable Ladder - External Riser**



Order fasteners separately for installation. 8 x Splice Bolts (SBH) & 8 x Splice Nuts (SNH) required.

Non standard radius fittings can be manufactured against firm orders, and are non returnable.

Stainless Steel is only manufactured against firm orders and is non returnable.

Ordering Code	Width W mm
N4IR1504	150
N4IR3004	300
N4IR4504	450
N4IR6004	600
N4IR9004	900

-  H Hot Dip Galvanised
-  S Stainless Steel

**NEMA 4 Cable Ladder - Internal Riser**

channel

fasteners

cantilever brackets

channel fittings

tray systems

steel cable ladders

aluminium cable ladders

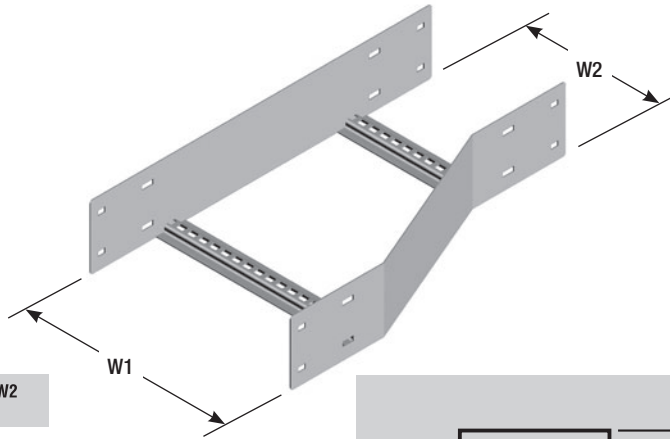
covers



Order fasteners separately for installation.

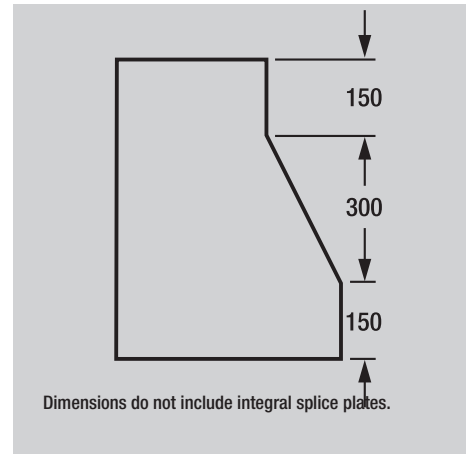
8 x Splice Bolts (SBH) & 8 x Splice Nuts (SNH) required.

All Reducers are manufactured against firm orders, and are non returnable.



Ordering Code	Width W1 mm	Width W2 mm
N4LHR300150	300	150
N4LHR450150	450	150
N4LHR450300	450	300
N4LHR600150	600	150
N4LHR600300	600	300
N4LHR600450	600	450
N4LHR900150	900	150
N4LHR900300	900	300
N4LHR900450	900	450
N4LHR900600	900	600

**H** Hot Dip Galvanised  
**S** Stainless Steel

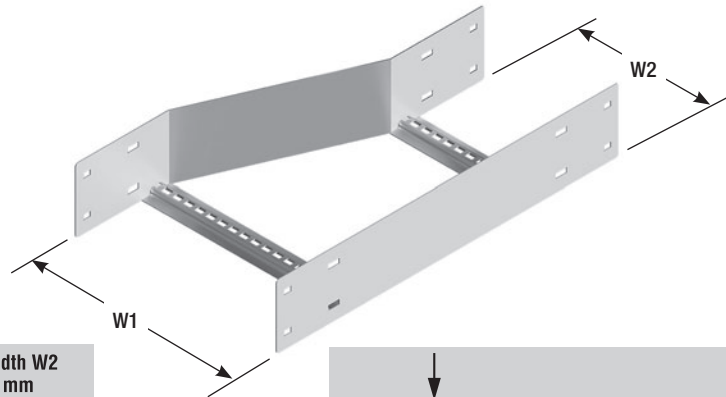


### NEMA 4 Cable Ladder - Left Hand Reducer

Order fasteners separately for installation.

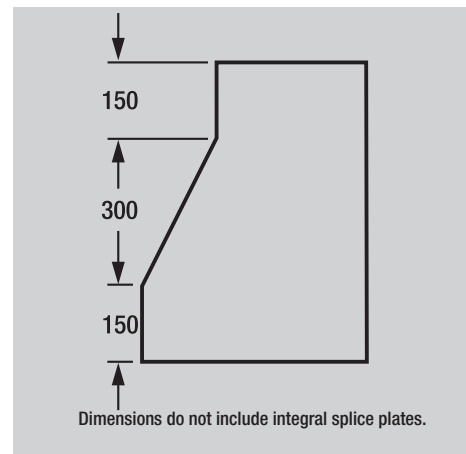
8 x Splice Bolts (SBH) & 8 x Splice Nuts (SNH) required.

All Reducers are manufactured against firm orders and are non returnable.



Ordering Code	Width W1 mm	Width W2 mm
N4RHR300150	300	150
N4RHR450150	450	150
N4RHR450300	450	300
N4RHR600150	600	150
N4RHR600300	600	300
N4RHR600450	600	450
N4RHR900150	900	150
N4RHR900300	900	300
N4RHR900450	900	450
N4RHR900600	900	600

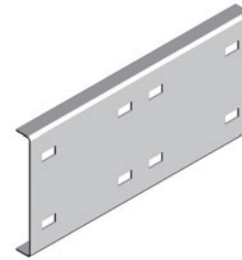
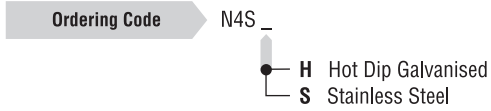
**H** Hot Dip Galvanised  
**S** Stainless Steel



### NEMA 4 Cable Ladder - Right Hand Reducer

Ordering Code: N4S

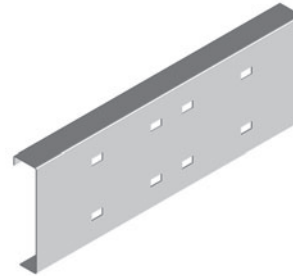
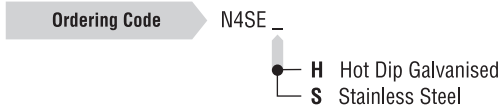
Note - two required per joint. Order splice bolts & nuts separately, SBH or SBS and SNH or SNS.



## NEMA 4 Splice

Ordering Code: N4SE

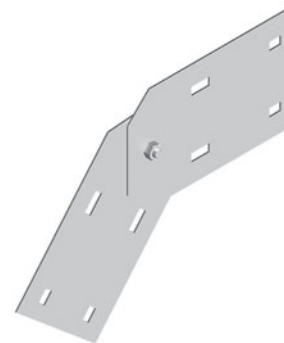
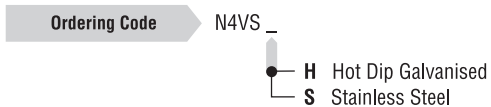
Note - two required per joint. Order splice bolts & nuts separately, SBH or SBS and SNH or SNS.



## NEMA 4 External Splice

Ordering Code: N4VS

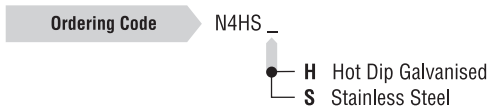
Note - two required per joint. Order splice bolts & nuts separately, SBH or SBS and SNH or SNS.



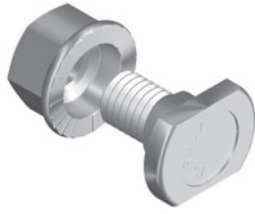
## NEMA 4 Vertical Splice

Ordering Code: N4HS

Note - two required per joint. Order splice bolts & nuts separately, SBH or SBS and SNH or SNS.



## NEMA 4 Horizontal Splice



Both items are ordered separately.

Splice Bolts have a smooth head to eliminate the risk of sheathing the cable during installation.

Special counterbore nuts ensure that correct tension is achieved during installation.

### SBH Splice Bolt & SNH Splice Nut

Ordering Code: N4CC

Supplied complete with cone screw.

#### Ordering Code

N4CC \_

- **H** Hot Dip Galvanised
- **S** Stainless Steel



### NEMA 4 Cover Clamp

Ordering Code: DSN4

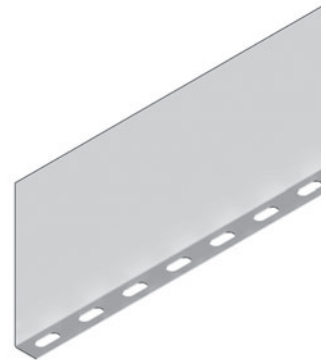
Standard Finish: Galvabond. Hot dip galvanised and stainless steel can be supplied against a firm order.

Note: Order B3016 and PS620 separately for installation.

#### Ordering Code

DSN4 \_

- **G** Galvabond
- **H** Hot Dip Galvanised
- **S** Stainless Steel



### NEMA 4 Divider Strip

Ordering Code: HDK

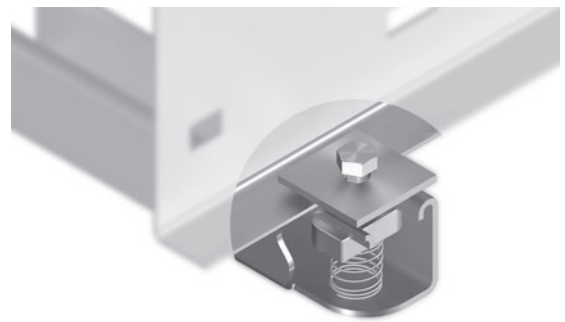
Supplied with zinc plated fasteners as standard. Hot dip galvanised can be supplied on request.

Note: Should be used in pairs.

#### Ordering Code

HDK \_

- **Z** Zinc Plated
- **H** Hot Dip Galvanised
- **S** Stainless Steel



### NEMA 4 Hold Down Kit

NEMA 4 NEMA 4 NEMA 4 NEMA 4 NEMA 4 NEMA 4 NEMA 4 NEMA 4 NEMA 4 NEMA 4 NEMA 4 NEMA 4 NEMA 4 NEMA 4 NEMA 4 NEMA 4 NEMA 4