

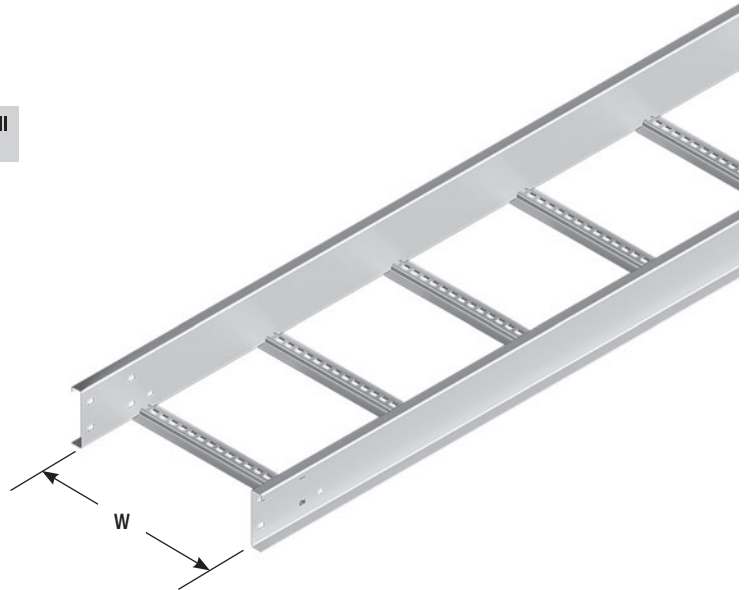
- Specifications**
- Standard Length 6.0 metres.
 - Overall height 130 mm
 - Cable laying depth 112 mm

Surface Finish

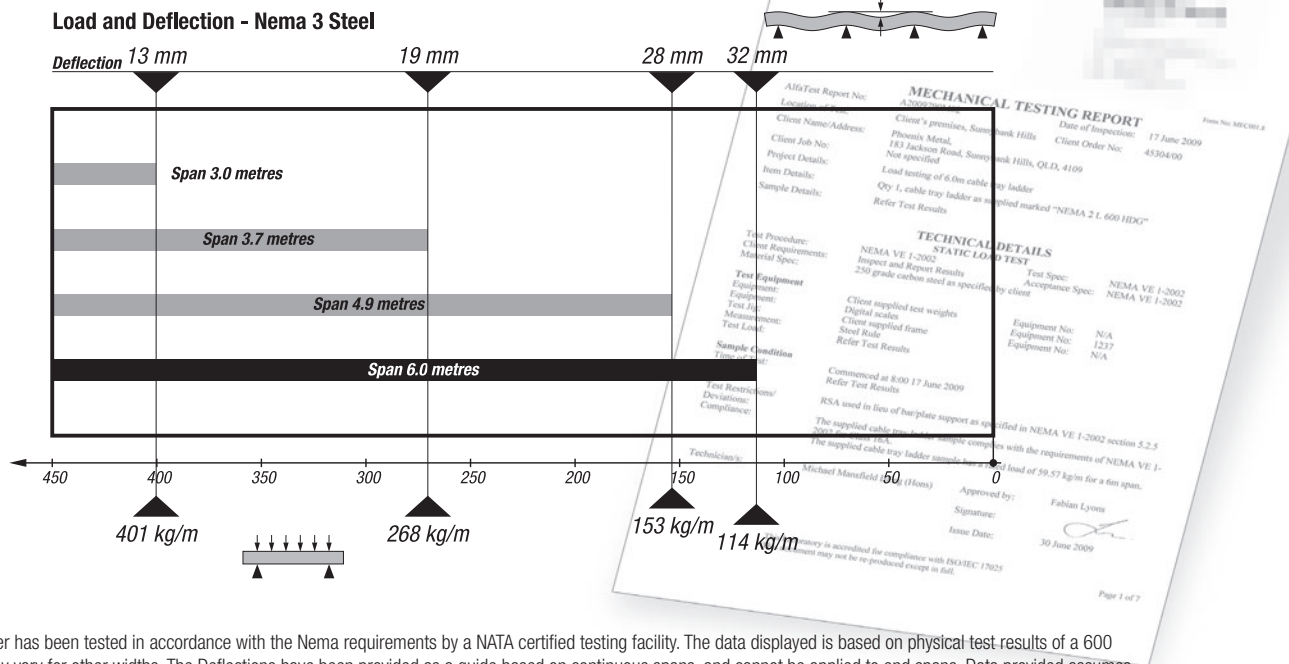
Available Finish	Code
Hot Dip Galvanised	H
Stainless Steel	S

Note - Stainless steel products are manufactured against firm orders only and are non returnable.

Cable Laying Width W mm	Ordering Code		Width Overall mm
	Hot Dip Galvanised	Stainless Steel	
150	N3L150H	N3L150S	214
300	N3L300H	N3L300S	364
450	N3L450H	N3L450S	514
600	N3L600H	N3L600S	664
900	N3L900H	N3L900S	964



Nema 3 Cable Ladder



Nema 3 Cable Ladder has been tested in accordance with the Nema requirements by a NATA certified testing facility. The data displayed is based on physical test results of a 600 wide section and may vary for other widths. The Deflections have been provided as a guide based on continuous spans, and cannot be applied to end spans. Data provided assumes that the installation will be carried out in accordance with Nema VE2, non compliance may affect the overall product performance.

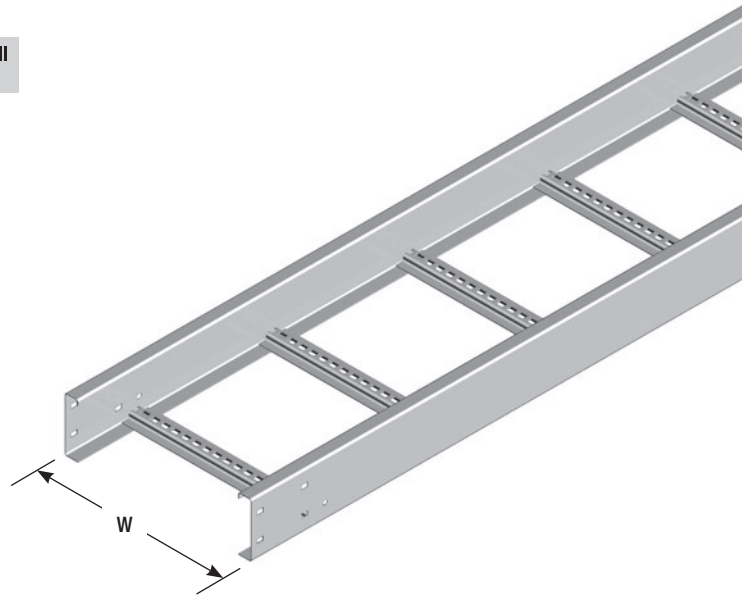
- Specifications**
- Standard Length 6.0 metres.
 - Overall height 130 mm
 - Cable laying depth 112 mm

Standard Product in Western Australia

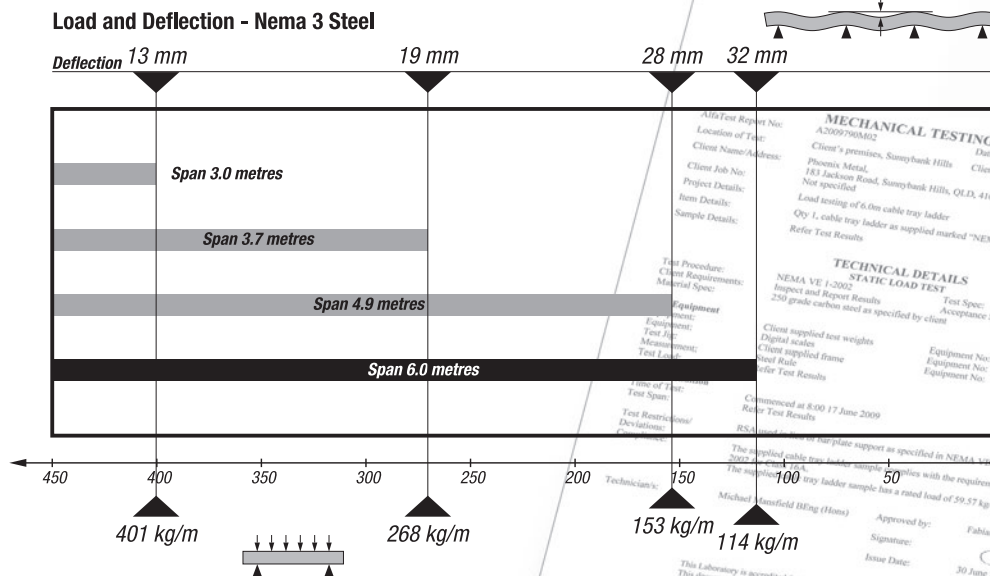
Surface Finish	Available Finish	Code
	Hot Dip Galvanised	H
	Stainless Steel	S

Note - Stainless steel products are manufactured against firm orders only and are non returnable.

Cable Laying Width W mm	Ordering Code		Width Overall mm
	Hot Dip Galvanised	Stainless Steel	
150	N3L150RIH	N3L150RIS	154
300	N3L300RIH	N3L300RIS	304
450	N3L450RIH	N3L450RIS	454
600	N3L600RIH	N3L600RIS	604
900	N3L900RIH	N3L900RIS	904

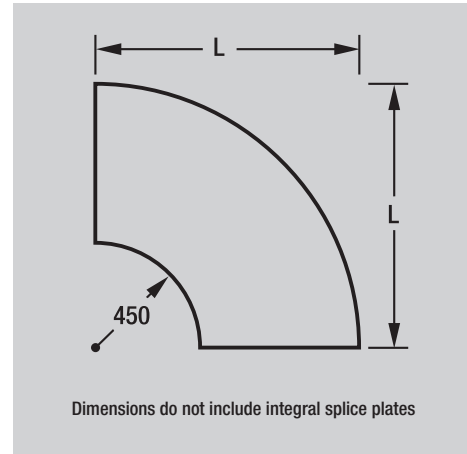
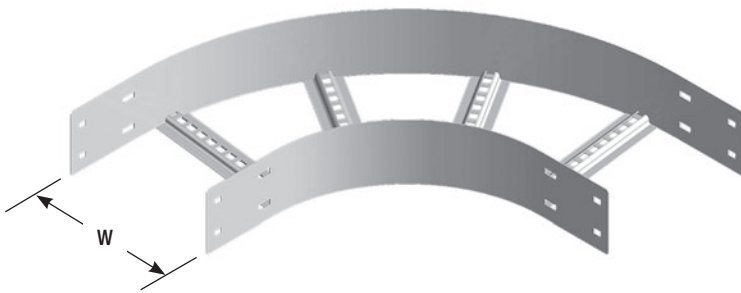


Nema 3 Cable Ladder



Nema 3 Cable Ladder has been tested in accordance with the Nema requirements by a NATA certified testing facility. The data displayed is based on physical test results of a 600 wide section and may vary for other widths. The Deflections have been provided as a guide based on continuous spans, and cannot be applied to end spans. Data provided assumes that the installation will be carried out in accordance with Nema VE2, non compliance may affect the overall product performance.

channel
fasteners
cantilever brackets
channel fittings
tray systems
steel cable ladders
aluminium cable ladders
covers



Order fasteners separately for installation. 8 x Splice Bolts (SBH) & 8 x Splice Nuts (SNH) required.

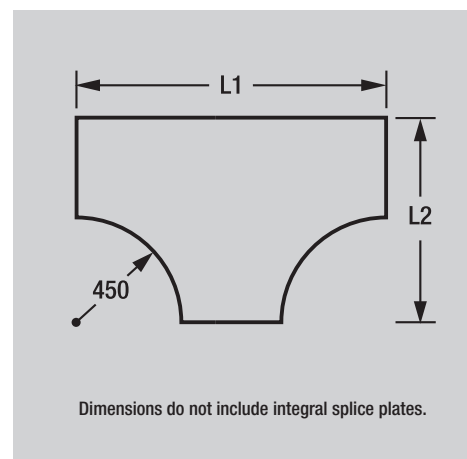
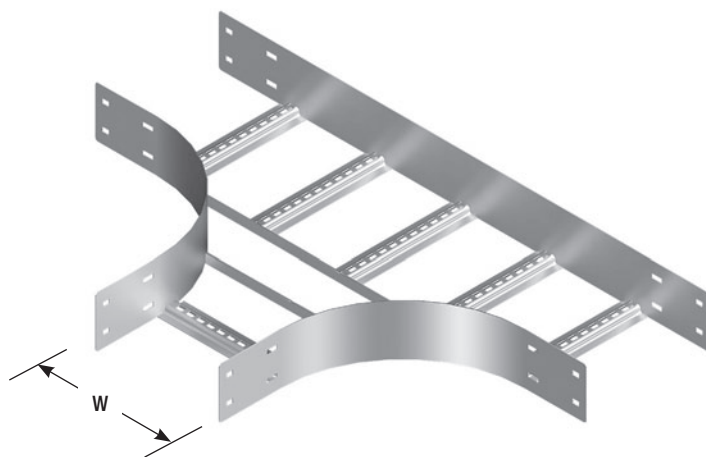
Non standard radius fittings can be manufactured against firm orders, and are non returnable.

Stainless Steel is only manufactured against firm orders and is non returnable.

Ordering Code	Width W mm	Length L mm
N3B1504	150	600
N3B3004	300	750
N3B4504	450	900
N3B6004	600	1050
N3B9004	900	1350

H Hot Dip Galvanised
 S Stainless Steel

NEMA 3 Cable Ladder - Bend



Order fasteners separately for installation.
12 x Splice Bolts (SBH) & 12 x Splice Nuts (SNH) required.

Non standard radius fittings can be manufactured against firm orders, and are non returnable.

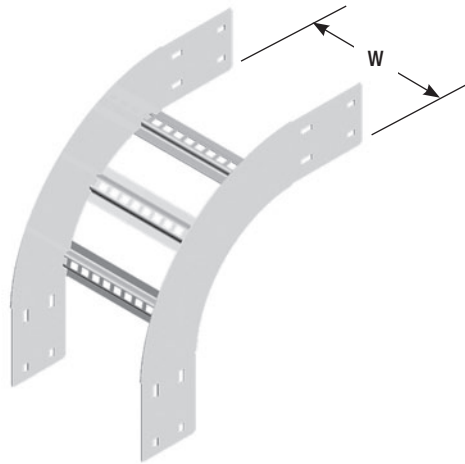
Stainless Steel is only manufactured against firm orders and is non returnable.

Ordering Code	Width W mm	Length L1 mm	Length L2 mm
N3T1504	150	1050	600
N3T3004	300	1200	750
N3T4504	450	1350	900
N3T6004	600	1500	1050
N3T9004	900	1800	1350

H Hot Dip Galvanised
 S Stainless Steel

NEMA 3 Cable Ladder - Tee

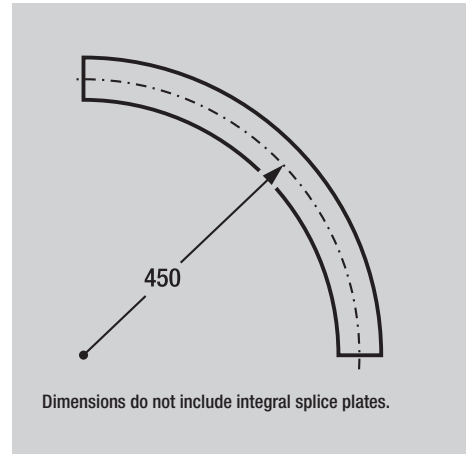
NEMA 3 NEMA 3 NEMA 3 NEMA 3 NEMA 3 NEMA 3 NEMA 3 NEMA 3 NEMA 3 NEMA 3 NEMA 3 NEMA 3 NEMA 3 NEMA 3 NEMA 3 NEMA 3



Order fasteners separately for installation. 8 x Splice Bolts (SBH) & 8 x Splice Nuts (SNH) required.

Non standard radius fittings can be manufactured against firm orders, and are non returnable.

Stainless Steel is only manufactured against firm orders and is non returnable.

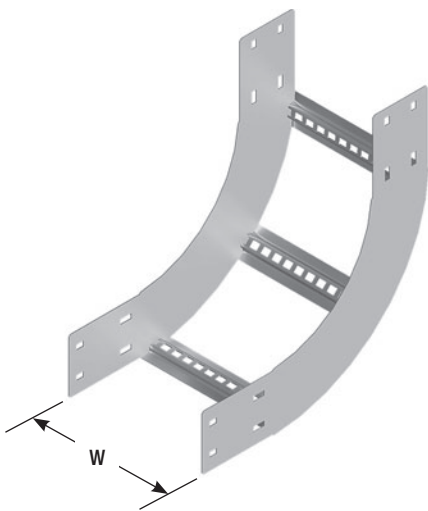


Dimensions do not include integral splice plates.

Ordering Code	Width W mm
N3ER1504	150
N3ER3004	300
N3ER4504	450
N3ER6004	600
N3ER9004	900

- H** Hot Dip Galvanised
- S** Stainless Steel

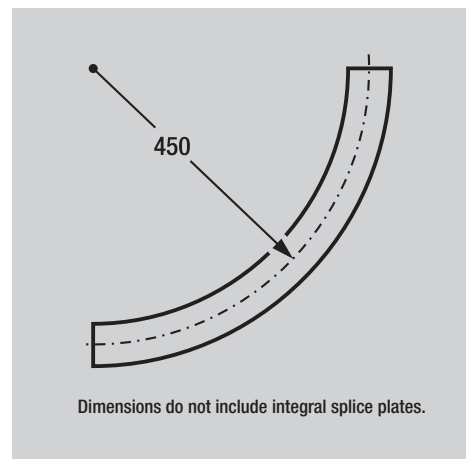
NEMA 3 Cable Ladder - External Risers



Order fasteners separately for installation. 8 x Splice Bolts (SBH) & 8 x Splice Nuts (SNH) required.

Non standard radius fittings can be manufactured against firm orders, and are non returnable.

Stainless Steel is only manufactured against firm orders and is non returnable.



Dimensions do not include integral splice plates.

Ordering Code	Width W mm
N3IR1504	150
N3IR3004	300
N3IR4504	450
N3IR6004	600
N3IR9004	900

- H** Hot Dip Galvanised
- S** Stainless Steel

NEMA 3 Cable Ladder - Internal Risers

channel

fasteners

cantilever brackets

channel fittings

tray systems

steel cable ladders

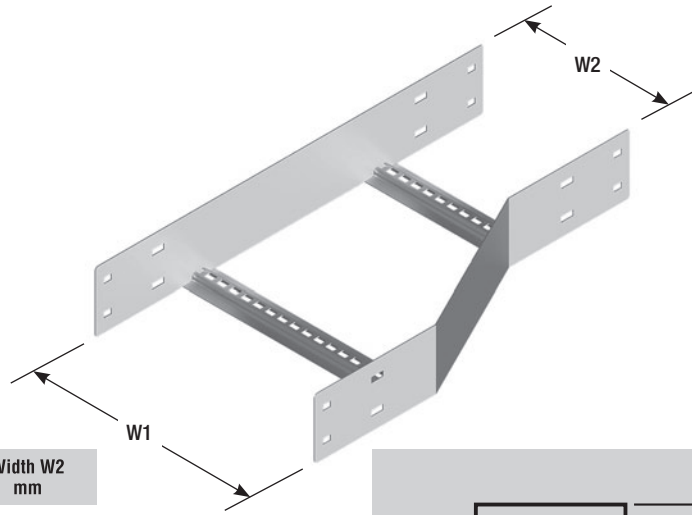
aluminium cable ladders

covers

Order fasteners separately for installation.

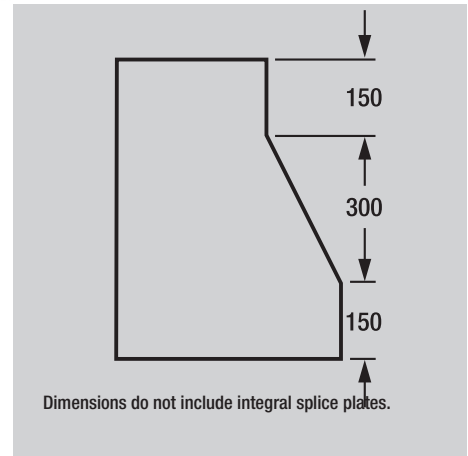
8 x Splice Bolts (SBH) & 8 x Splice Nuts (SNH) required.

All Reducers are manufactured against firm orders, and are non returnable.



Ordering Code	Width W1 mm	Width W2 mm
N3LHR300150	300	150
N3LHR450150	450	150
N3LHR450300	450	300
N3LHR600150	600	150
N3LHR600300	600	300
N3LHR600450	600	450
N3LHR900150	900	150
N3LHR900300	900	300
N3LHR900450	900	450
N3LHR900600	900	600

● **H** Hot Dip Galvanised
 ● **S** Stainless Steel

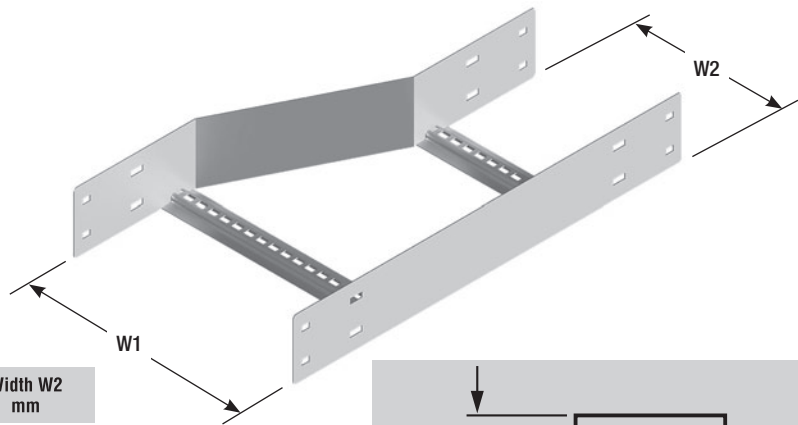


NEMA 3 Cable Ladder - Left Hand Reducer

Order fasteners separately for installation.

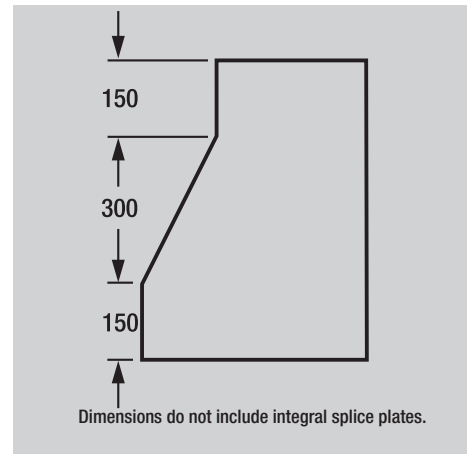
8 x Splice Bolts (SBH) & 8 x Splice Nuts (SNH) required.

All Reducers are manufactured against firm orders and are non returnable.



Ordering Code	Width W1 mm	Width W2 mm
N3RHR300150	300	150
N3RHR450150	450	150
N3RHR450300	450	300
N3RHR600150	600	150
N3RHR600300	600	300
N3RHR600450	600	450
N3RHR900150	900	150
N3RHR900300	900	300
N3RHR900450	900	450
N3RHR900600	900	600

● **H** Hot Dip Galvanised
 ● **S** Stainless Steel

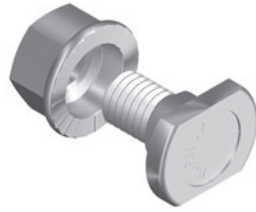


NEMA 3 Cable Ladder - Right Hand Reducer

NEMA 3 NEMA 3 NEMA 3 NEMA 3 NEMA 3 NEMA 3 NEMA 3 NEMA 3 NEMA 3 NEMA 3 NEMA 3 NEMA 3 NEMA 3 NEMA 3 NEMA 3

channel
 fasteners
 cantilever brackets
 channel fittings
 tray systems
 steel cable ladders
 aluminium cable ladders
 covers

NEMA 3 NEMA 3



Both items are ordered separately.
 Splice Bolts have a smooth head to eliminate the risk of sheathing the cable during installation.
 Special counterbore nuts ensure that correct tension is achieved during installation.

channel

fasteners

SBH Splice Bolt & SNH Splice Nut

Ordering Code: N3CC
 Supplied complete with cone screw.

Ordering Code N3CC
 ● H Hot Dip Galvanised
 S Stainless Steel



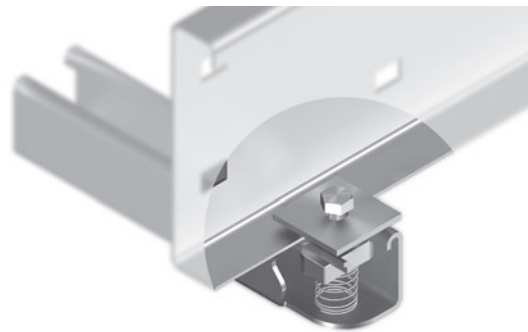
cantilever brackets

channel fittings

NEMA 3 Cover Clamp

Ordering Code: DSN3
 Standard Finish: Galvabond. Hot dip galvanised and stainless steel can be supplied against a firm order.
 Note: Order B3016 and PS620 separately for installation.

Ordering Code DSN3
 ● G Galvabond
 H Hot Dip Galvanised
 S Stainless Steel



tray systems

steel cable ladders

NEMA 3 Boltless Kit

Ordering Code: HDK
 Supplied with zinc plated fasteners as standard. Hot dip galvanised can be supplied on request.
 Note: Should be used in pairs.

Ordering Code HDK
 ● Z Zinc Plated
 H Hot Dip Galvanised
 S Stainless Steel

aluminium cable ladders

covers