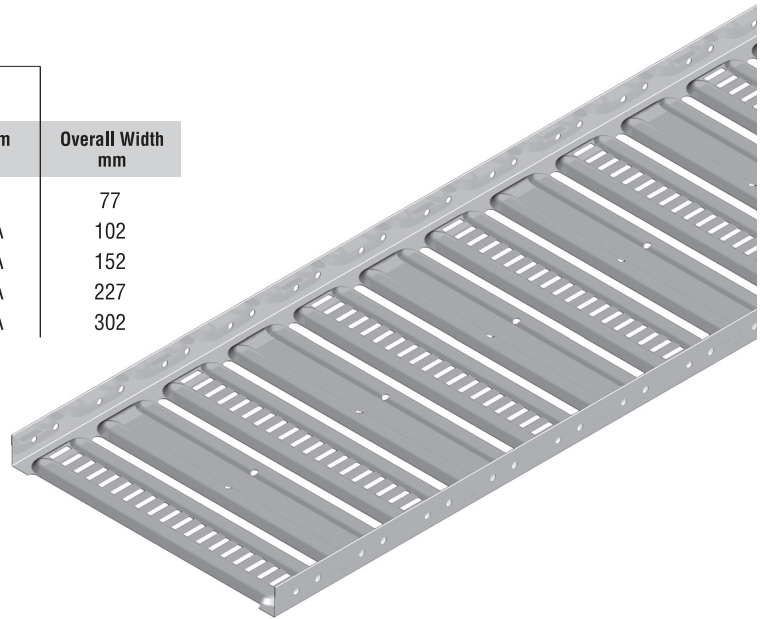


- Specifications**
- Standard Length 3.0 metres.
 - Overall height 30 mm
 - Cable laying depth 24 mm

Surface Finish	Available Finish	Code
	Galvabond	G
	Hot Dip Galvanised	H
	Aluminium	A

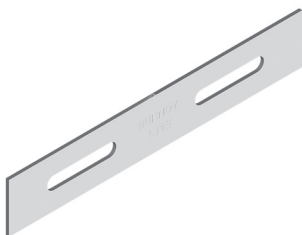
Note - Hot Dip Galvanised and aluminium products are manufactured against firm orders only and are non returnable.

Cable Laying Width mm	Ordering Code			Overall Width mm
	Galvabond	Hot Dip Galvanised	Aluminium	
75	LT175G	LT175H	LT175A	77
100	LT1100G	LT1100H	LT1100A	102
150	LT1150G	LT1150H	LT1150A	152
225	LT1225G	LT1225H	LT1225A	227
300	LT1300G	LT1300H	LT1300A	302



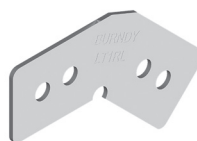
LT1 Laddertray

Use M6 x 10 Pan Screw and M6 Flanged Nut for assembly.
Order Code: WIZ



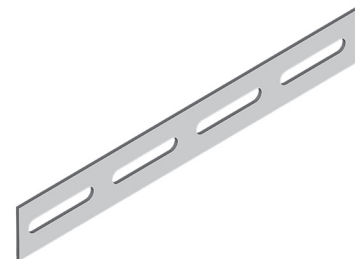
LT1 Splice Plate

Use M6 x 10 Pan Screw and M6 Flanged Nut for assembly.
Order Code: WIZ



LT1 Riser Link

Use M6 x 10 Pan Screw and M6 Flanged Nut for assembly.
Order Code: WIZ
Standard Length: 1.0 metre



LT1 Radius Plate

channel

fasteners

cantilever brackets

channel fittings

tray systems

steel cable ladders

aluminium cable ladders

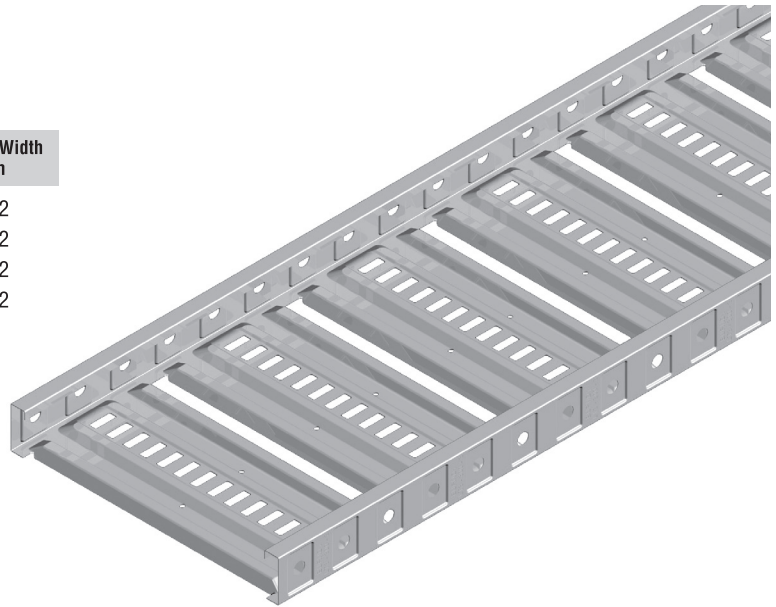
covers

- Specifications**
- Standard Length 3.0 metres.
 - Overall height 50 mm
 - Cable laying depth 40 mm

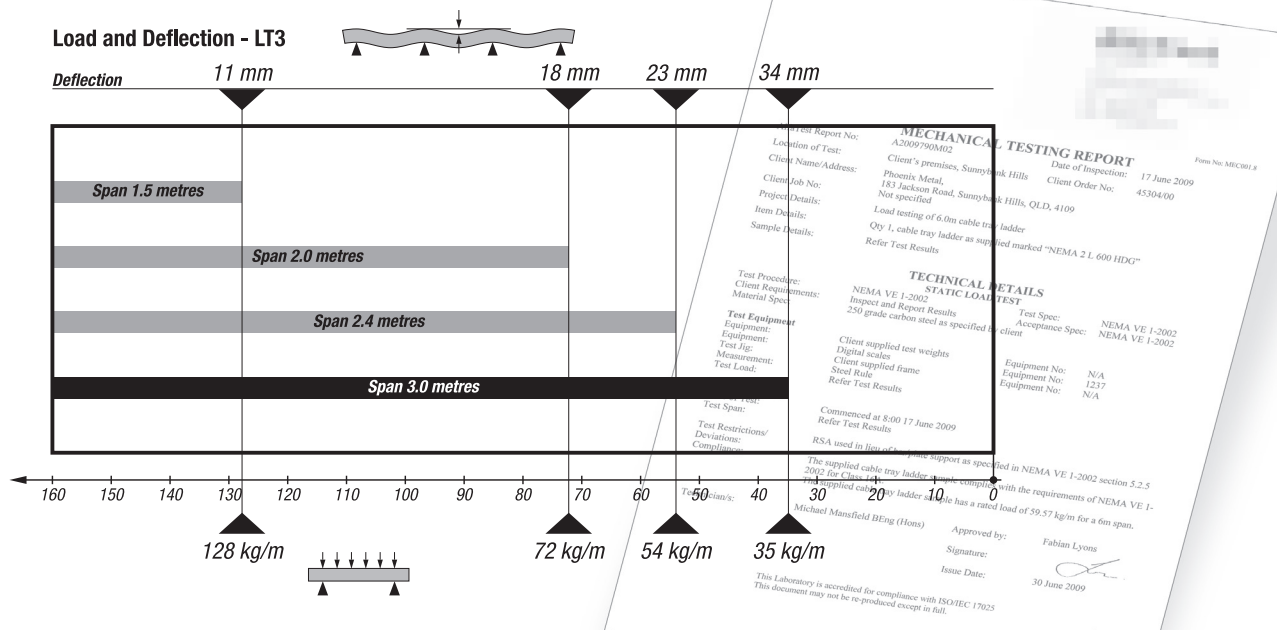
Surface Finish	Available Finish	Code
	Galvabond	G
	Hot Dip Galvanised	H

Note - Hot Dip Galvanised products are manufactured against firm orders only and are non returnable.

Cable Laying Width mm	Ordering Code		Overall Width mm
	Galvabond	Hot Dip Galvanised	
150	LT3150G	LT3150H	172
300	LT3300G	LT3300H	322
450	LT3450G	LT3450H	472
600	LT3600G	LT3600H	622



LT3 Laddertray



LT3 has been tested in accordance with the Nema requirements by a NATA certified testing facility. The data displayed is based on physical test results of a 600 wide section and may vary for other widths. The Deflections have been provided as a guide based on continuous spans, and cannot be applied to end spans. Data provided assumes that the installation will be carried out in accordance with Nema VE2. Non compliance may affect the overall product performance.

Surface Finish

Available Finish

Code

Galvabond

G

Hot Dip Galvanised

H

Note

- Hot Dip Galvanised products are manufactured against firm orders only.
Minimum production quantities may apply.

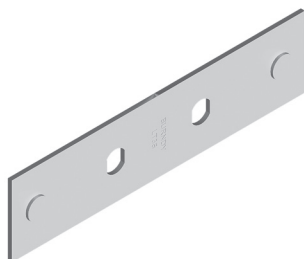


Burndy Centre Hold Down Clamp can be used in place of traditional Hold Down Clamps to reduce the overall trapeze width.

Order fasteners separately for installation.

1 x HS1020, 1 x B1008

LT Hold Down Centre



2 Splices required per length of tray.

Order fasteners separately for installation (per splice plate)

2 x SBH, 2 x SNH

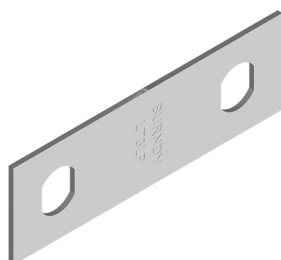
LT3 Splice



Order fasteners separately for installation

1 x HS1025, 1 x B1008

LT3 Hold Down



6 Riser Links required to perform a 90 degree set.

Order fasteners separately for installation (per riser link)

2 x SBH, 2 x SNH

LT3 Riser Link

channel

fasteners

cantilever brackets

channel fittings

tray systems

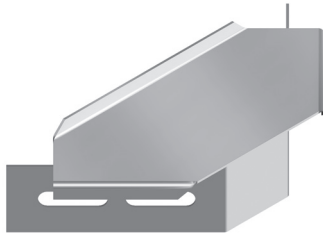
steel cable ladders

aluminium cable ladders

covers

Surface Finish	Available Finish	Code
	Galvabond	G
	Hot Dip Galvanised	H

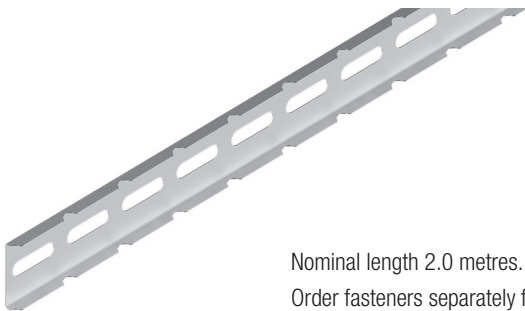
Note - Hot Dip Galvanised products are manufactured against firm orders only.
Minimum production quantities may apply.



2 TX Brackets required to make a tee, and 4 required to make a cross.

Order fasteners separately for installation (per TX Bracket)
4 x SBH, 4 x SNH

LT3 Tee/Cross

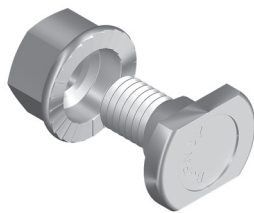


Nominal length 2.0 metres.
Order fasteners separately for installation.

Approximate Length Required to Make a 150 Radius Bend

Tray Size	Length Required metres	Fasteners Required
BT3150	0.7	6
BT3300	0.9	6
BT3450	1.2	8
BT3600	1.4	8

LT3 Radius Plate



Both items are ordered separately.
Splice Bolts have a smooth head to eliminate the risk of sheathing the cable during installation.
Special counterbore nuts ensure that correct tension is achieved during installation.

SBH Splice Bolt & SNH Splice Nut

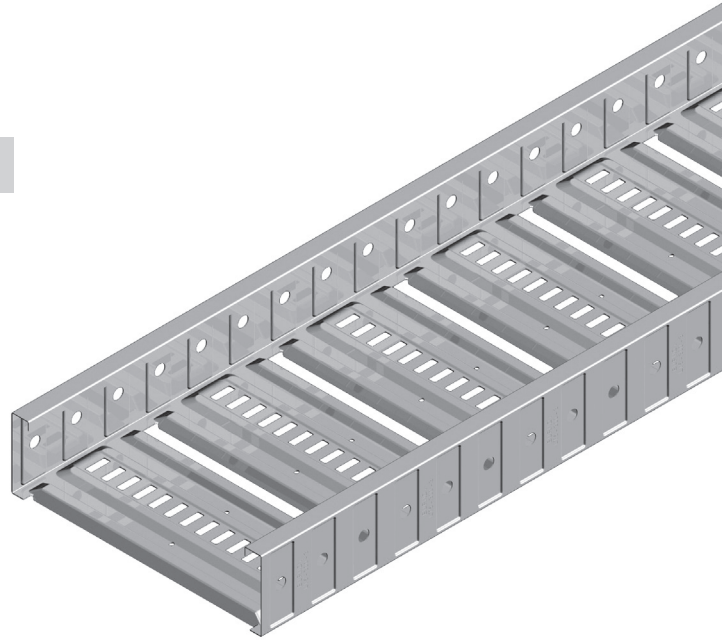
- Specifications**
- Standard Length 3.0 metres.
 - Overall height 85 mm
 - Cable laying depth 75 mm

Surface Finish

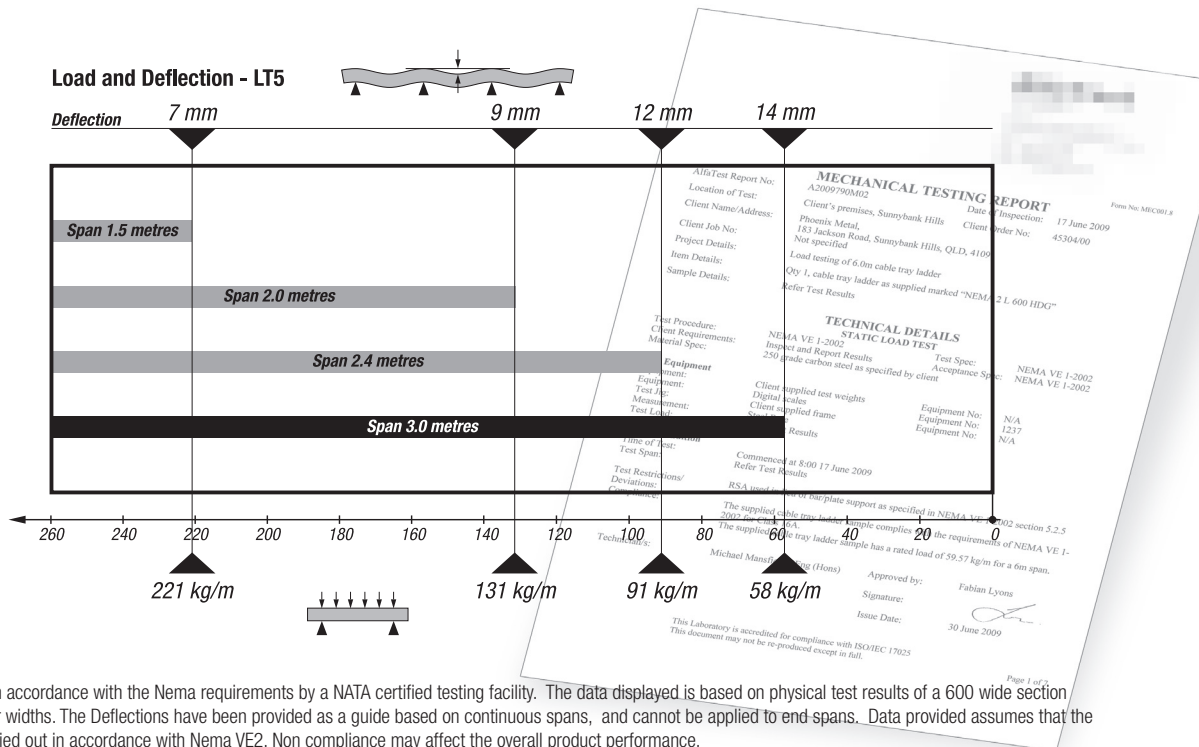
Available Finish	Code
Galvabond	G
Hot Dip Galvanised	H

Note - Hot Dip Galvanised products are manufactured against firm orders only and are non returnable.

Cable Laying Width mm	Ordering Code		Overall Width mm
	Galvabond	Hot Dip Galvanised	
150	LT5150G	LT5150H	172
300	LT5300G	LT5300H	322
450	LT5450G	LT5450H	472
600	LT5600G	LT5600H	622



LT5 Laddertray



LT5 has been tested in accordance with the Nema requirements by a NATA certified testing facility. The data displayed is based on physical test results of a 600 wide section and may vary for other widths. The Deflections have been provided as a guide based on continuous spans, and cannot be applied to end spans. Data provided assumes that the installation will be carried out in accordance with Nema VE2. Non compliance may affect the overall product performance.

- channel
- fasteners
- cantilever brackets
- channel fittings
- tray systems
- steel cable ladders
- aluminium cable ladders
- covers

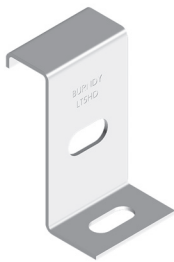
Surface Finish	Available Finish	Code
	Galvabond	G
	Hot Dip Galvanised	H

Note - Hot Dip Galvanised products are manufactured against firm orders only.
Minimum production quantities may apply.



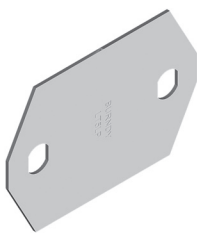
2 Splices required per length of tray.
Order fasteners separately for installation
(per splice plate)
2 x SBH, 2 x SNH

LT5 Splice



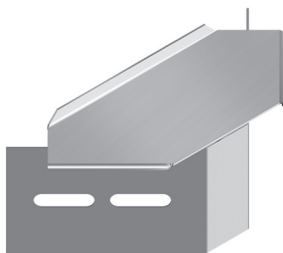
Order fasteners separately for installation
1 x HS1025, 1 x B1008

LT5 Hold Down



6 Riser Links required to perform a 90 degree set.
Order fasteners separately for installation (per riser link)
2 x SBH, 2 x SNH

LT5 Riser Link



2 TX Brackets required to make a tee, and 4 required to make a cross.
Order fasteners separately for installation (per TX Bracket)
4 x SBH, 4 x SNH

LT5 Tee/Cross

Surface Finish

Available Finish

Code

Galvabond

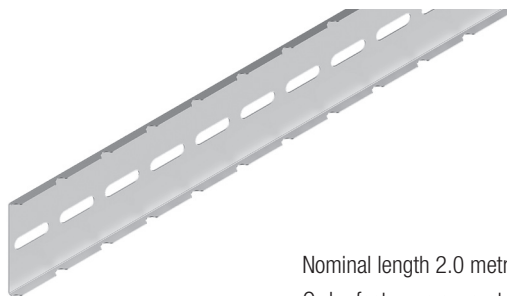
G

Hot Dip Galvanised

H

Note

- Hot Dip Galvanised products are manufactured against firm orders only.
Minimum production quantities may apply.

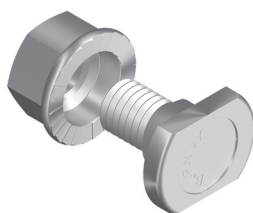


Nominal length 2.0 metres.
Order fasteners separately for installation.

Approximate Length Required to Make a 150 Radius Bend

Tray Size	Length Required metres	Fasteners Required
BT5150	0.7	6
BT5300	0.9	6
BT5450	1.2	8
BT5600	1.4	8

LT5 Radius Plate



Both items are ordered separately.
Splice Bolts have a smooth head to eliminate the risk of sheathing the cable during installation.
Special counterbore nuts ensure that correct tension is achieved during installation.

SBH Splice Bolt & SNH Splice Nut

channel

fasteners

cantilever brackets

channel fittings

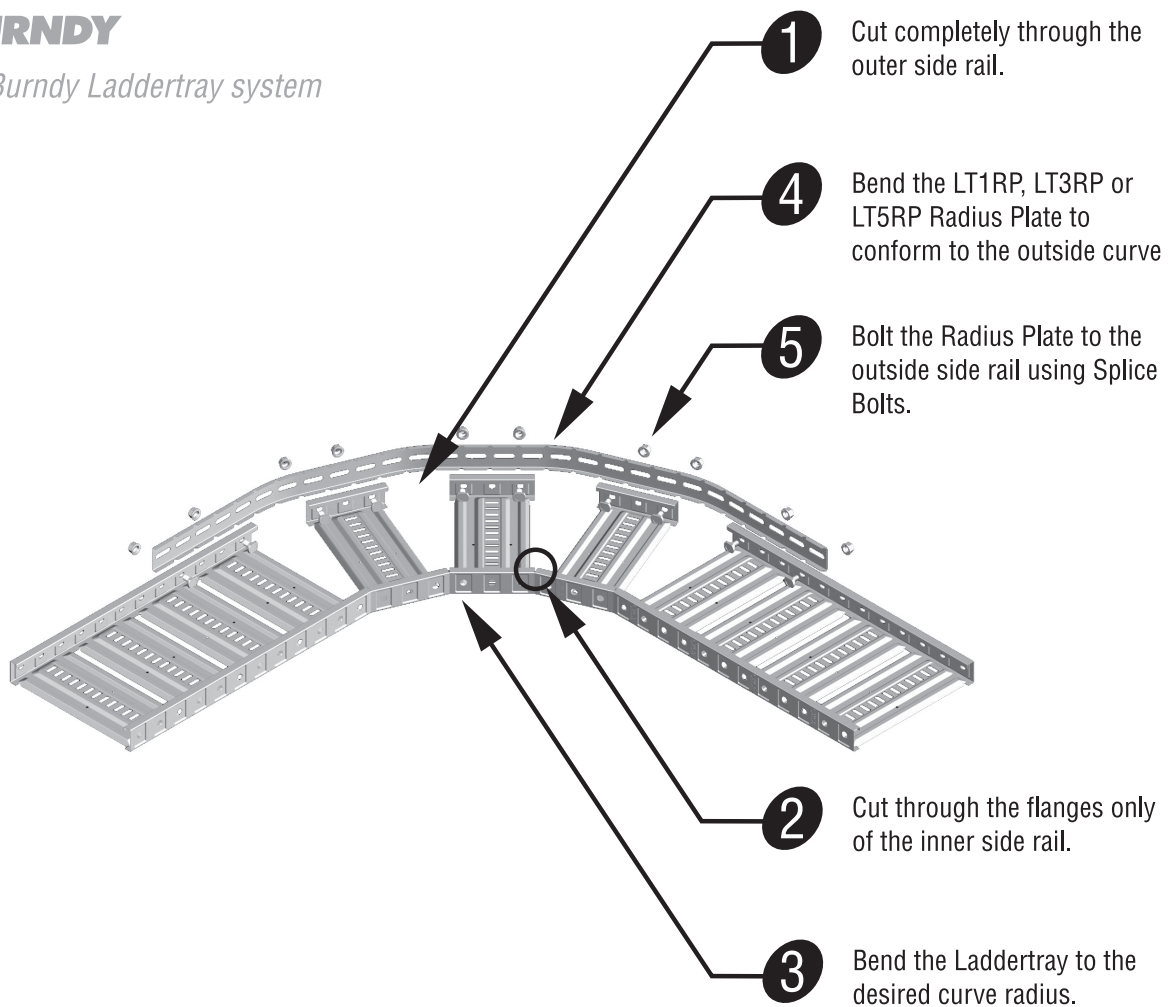
tray systems

steel cable ladders

aluminium cable ladders

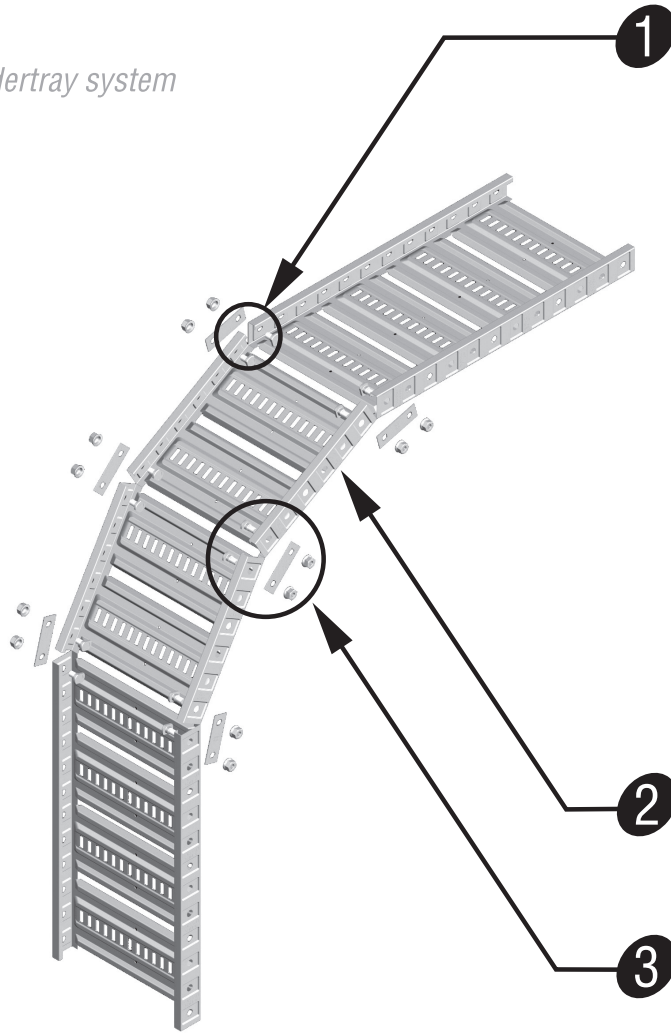
covers

Making a Horizontal Bend

BURNDY*the Burndy Laddertray system*

Making an External Riser

BURNDY
the Burndy Laddertray system

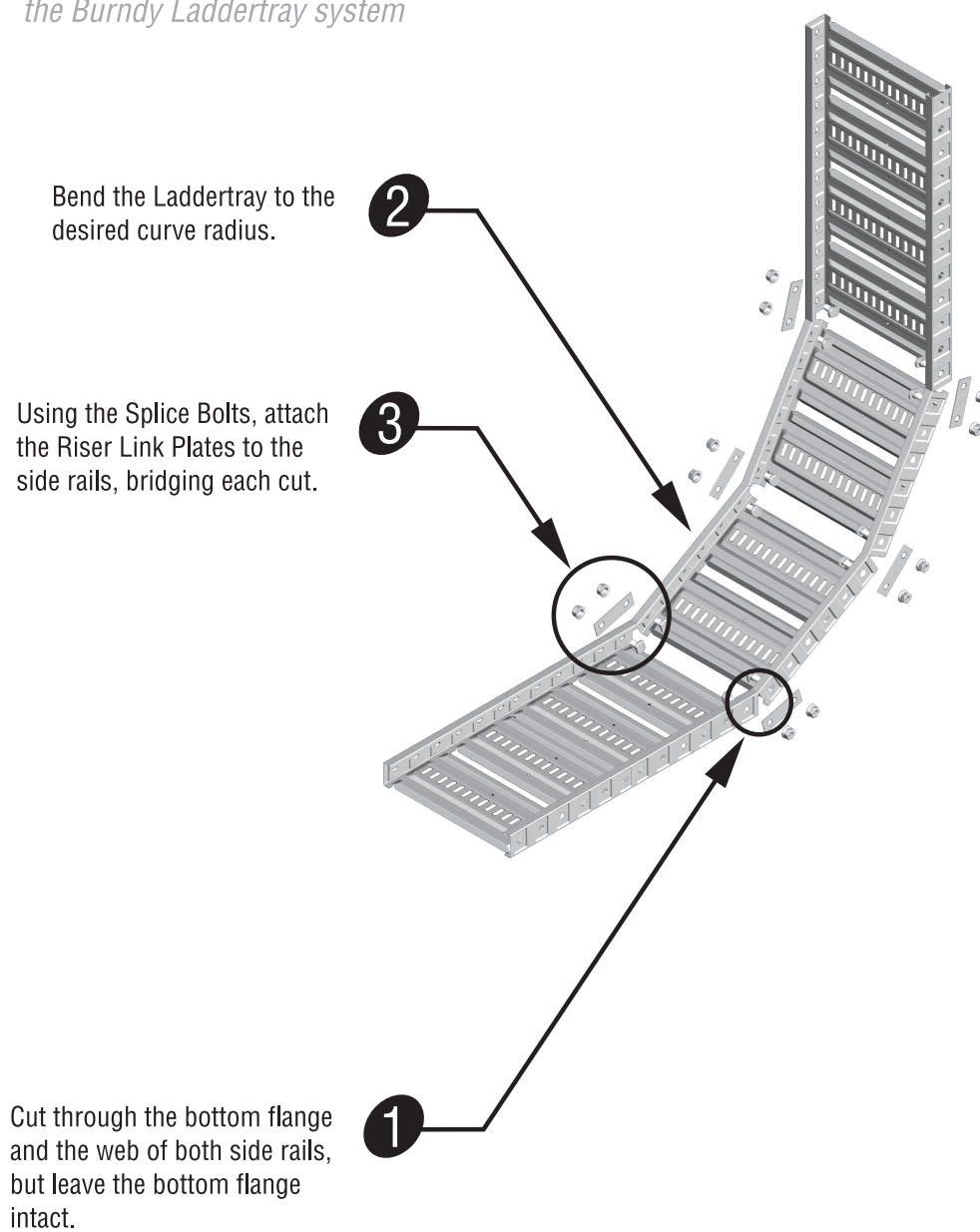


1 Cut through the top flange and the web of both side rails but leave the bottom flange intact.

2 Bend the Laddertray to the desired curve radius.

3 Using the Splice Bolts, attach the Riser Link Plates to the side rails, bridging each cut.

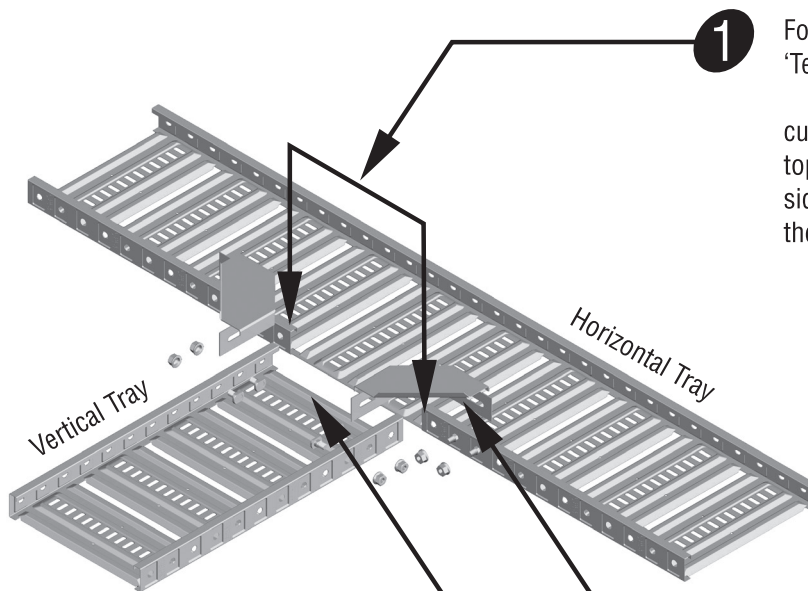
Making an Internal Riser

BURNDY*the Burndy Laddertray system*

Making an Tee

BURNDY

the Burndy Laddertray system



1 For the horizontal tray of the 'Tee';

cut through and remove the top flange and the web of the side rail, to the full width of the vertical tray.

3 Using the Splice Bolts, join the horizontal and vertical trays employing the LT3TX or LT5TX brackets.

2 For the vertical tray of the 'Tee';
cut the tray to length between the rungs.

channel

fasteners

cantilever brackets

channel fittings

tray systems

steel cable ladders

aluminium cable ladders

covers

Surface Finish

Available Finish

Code

Galvabond

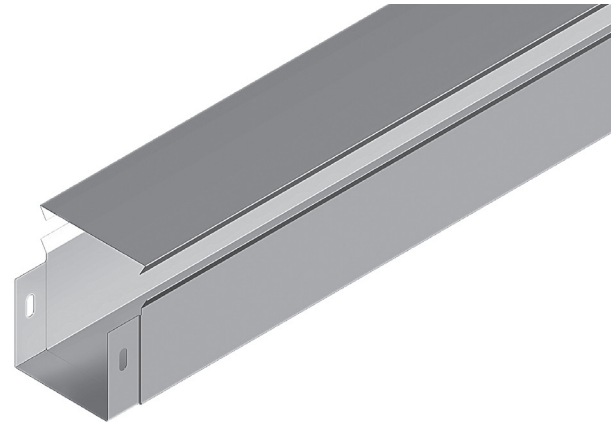
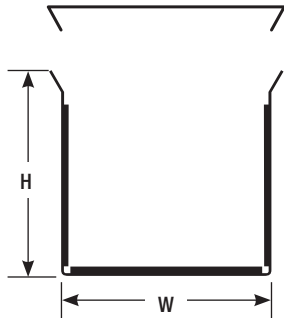
G

Hot Dip Galvanised

H

Note

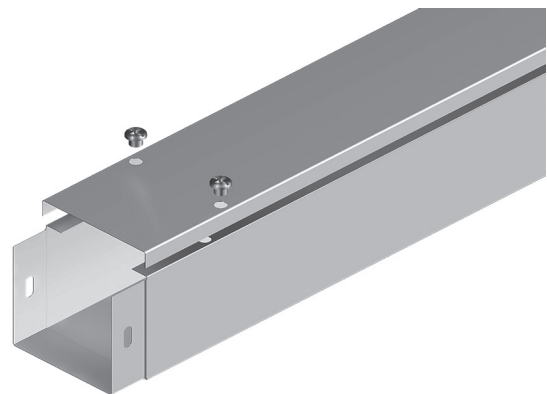
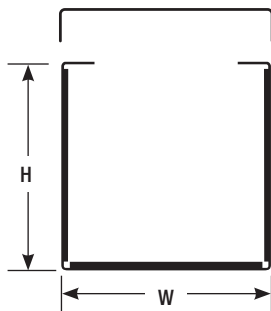
- Hot Dip Galvanised products are manufactured against firm orders only.
Minimum production quantities may apply.



Supplied in standard 2.4 metre lengths
Joining screws and nuts sold separately. Two (2) required per length.
Product code WIZ.
Other sizes can be manufactured to firm orders in minimum batch quantities of 100.

Ordering Code	Width W mm	Height H mm
DCL5050G	50	50
DCL7575G	75	75
DCL100100G	100	100
DCL150100G	150	100

Cable Duct - Clip Lid



Supplied in standard 2.4 metre lengths
Joining screws and nuts sold separately. Two (2) required per length.
Product code WIZ.
Other sizes can be manufactured to firm orders in minimum batch quantities of 100.

Ordering Code	Width W mm	Height H mm
DSL5050G	50	50
DSL7575G	75	75
DSL100100G	100	100
DSL150100G	150	100

Cable Duct - Screw Lid

Surface Finish

Available Finish

Code

Galvabond

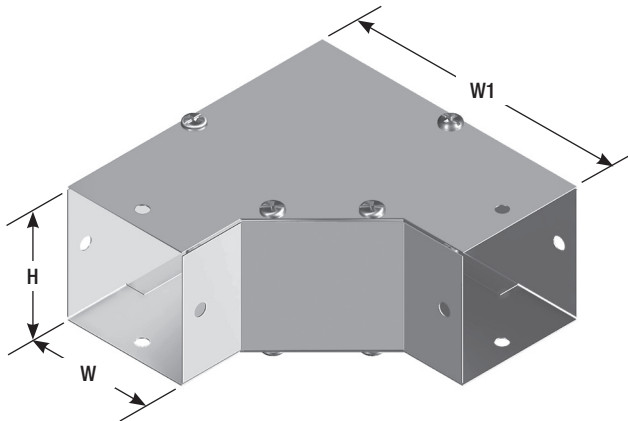
G

Hot Dip Galvanised

H

Note

- Hot Dip Galvanised products are manufactured against firm orders only and are non returnable.
Minimum production quantities may apply.

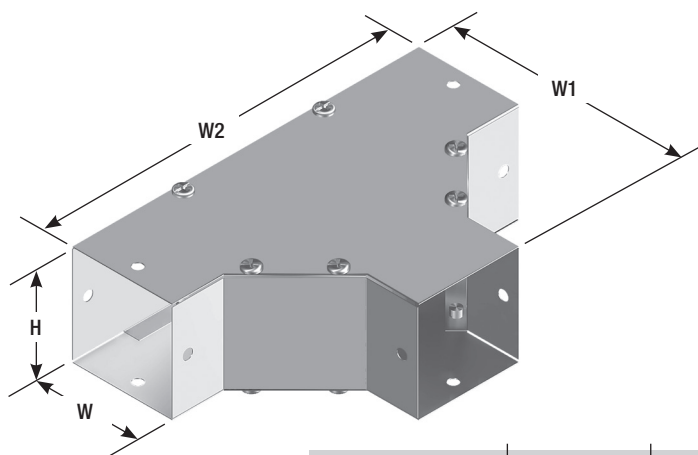


Ordering Code	Width W mm	Height H mm	Width W1 mm
DCB5050G	50	50	167
DCB7575G	75	75	192
DCB100100G	100	100	217
DCB150100G	150	100	267

Joining screws and nuts sold separately. Product code WIZ.

Combination Bend/Riser requires four (4) screws per fitting for installation.

Combination Bend Riser



Ordering Code	Width W mm	Height H mm	Width W1 mm	Width W2 mm
DCT5050G	50	50	167	287
DCT7575G	75	75	192	312
DCT100100G	100	100	217	337
DCT150100G	150	100	267	387

Joining screws and nuts sold separately.
Product code WIZ.

Combination Tee requires four (6) screws per fitting for installation.

Combination Tee

channel

fasteners

cantilever brackets

channel fittings

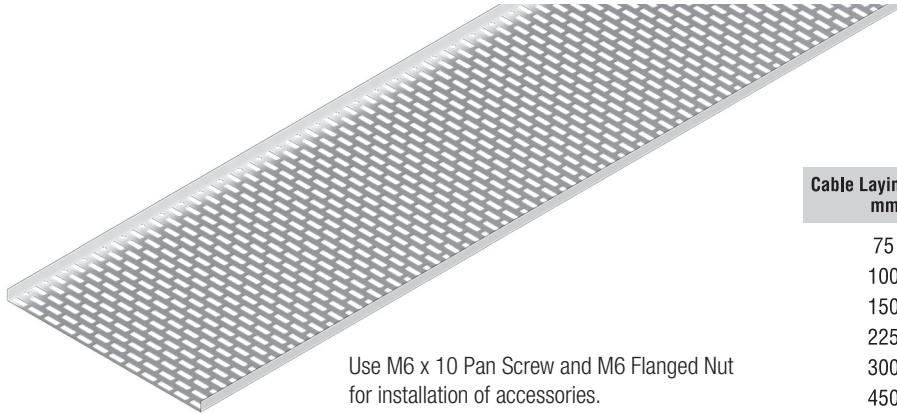
tray systems

steel cable ladders

aluminium cable ladders

covers

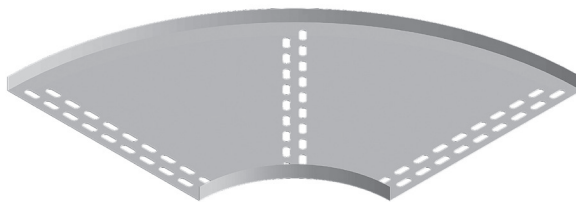
Surface Finish	Available Finish	Code
	Galvabond	G
	Hot Dip Galvanised	H
Length	- 2.4 metres	



Use M6 x 10 Pan Screw and M6 Flanged Nut for installation of accessories.
Ordering code WIZ

Cable Laying Width mm	Galvabond	Hot Dip Galvanised
75	CT75G	CT75H
100	CT100G	CT100H
150	CT150G	CT150H
225	CT225G	CT225H
300	CT300G	CT300H
450	CT450G	CT450H
600	CT600G	CT600H

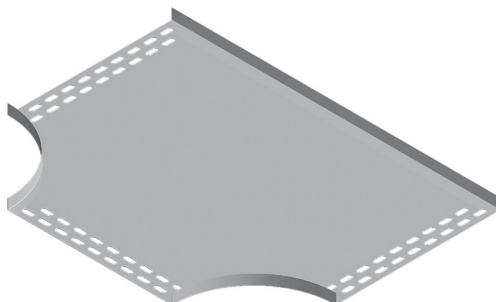
Cable Tray



Use M6 x 10 Pan Screw and M6 Flanged Nut for installation of accessories.
Ordering code WIZ

Cable Laying Width mm	Galvabond	Hot Dip Galvanised
75	CTB75G	CTB75H
100	CTB100G	CTB100H
150	CTB150G	CTB150H
225	CTB225G	CTB225H
300	CTB300G	CTB300H
450	CTB450G	CTB450H
600	CTB600G	CTB600H

Cable Tray Bend



Use M6 x 10 Pan Screw and M6 Flanged Nut for installation of accessories.
Ordering code WIZ

Cable Laying Width mm	Galvabond	Hot Dip Galvanised
75	CTT75G	CTT75H
100	CTT100G	CTT100H
150	CTT150G	CTT150H
225	CTT225G	CTT225H
300	CTT300G	CTT300H
450	CTT450G	CTT450H
600	CTT600G	CTT600H

Cable Tray Tee