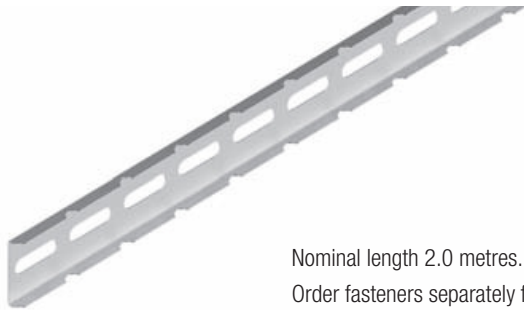


2 TX Brackets required to make a tee, and 4 required to make a cross.

Order fasteners separately for installation (per TX Bracket)
4 x LTBOLT, 4 x LTNUT

LT3TXH



Nominal length 2.0 metres.
Order fasteners separately for installation.

Approximate Length Required to Make a 150 Radius Bend

Tray Size	Length Required metres	Fasteners Required
LT3150	0.7	6
LT3300	0.9	6
LT3450	1.2	8
LT3600	1.4	8

LT3RP



Surface Finish

Available Finish

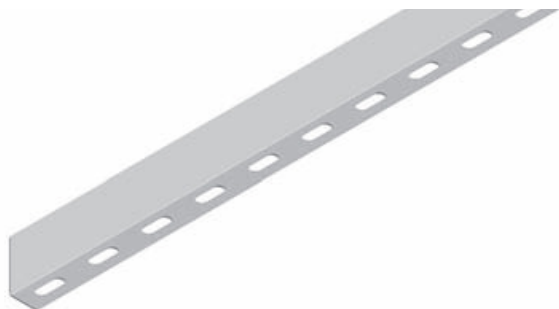
Zinc Plated
Hot Dip Galvanised

Code

LTNUT / LTBOLT
LTNUTH / LTBOLTH

Both items are ordered separately.
Splice Bolts have a smooth head to eliminate the risk of sheathing the cable during installation.
Special counterbore nuts ensure that correct tension is achieved during installation.

LTNUT and LTBOLT



Standard Finish Galvabond. Can also be supplied in Hot Dip Galvanised finish against firm orders.

Length 3.0 metres.

Note Order B3016 and PS620 separately for installation.

DSL3 (Divider Strip to suit LT3 Laddertray)