

**Material Specification** - Thickness 2.5mm

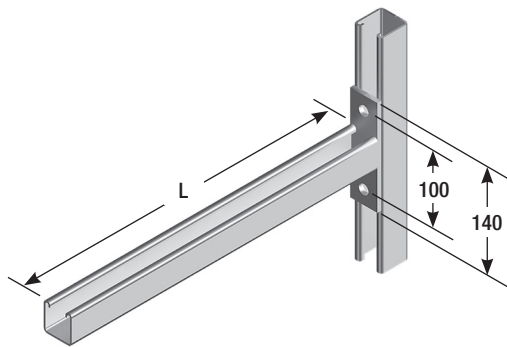
**Available Finish** - Hot Dip Galvanised

- Stainless Steel

**Note**

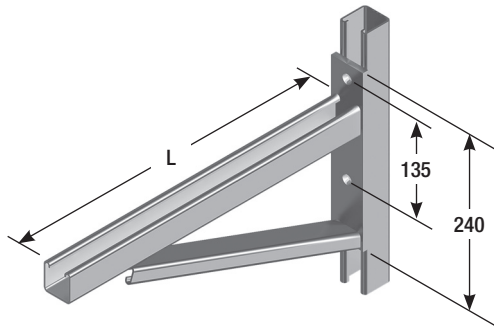
- Stainless Steel products are manufactured against firm orders only. They are non returnable and the order cannot be cancelled once manufacture has commenced.

- Load Capacities are based on the application of a uniformly distributed load.



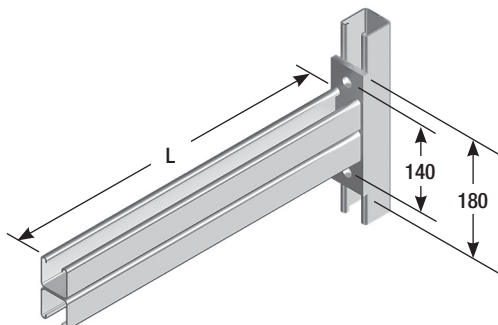
Ordering Code	Length L	Load Capacity kg
CL150	150	320
CL300	300	260
CL450	450	171
CL600	600	116
CL750	750	102

**Cantilever Bracket CL**



Ordering Code	Length L	Load Capacity kg
CLB300	300	445
CLB450	450	376
CLB600	600	338
CLB750	750	279

**Cantilever Bracket CLB**



Ordering Code	Length L	Load Capacity kg
CLD300	300	610
CLD450	450	506
CLD600	600	372
CLD750	750	259

**Cantilever Bracket CLD**

channel

fasteners

cantilever brackets

channel accessories

tray systems

steel cable ladders

aluminium cable ladders

covers

