

| | Ordering Code | Nominal Width mm | Length L mm |
|---|---------------|------------------|-------------|
| 300 Radius Standard for all NEMA 1 | CB1503 | 150 | 450 |
| | CB3003 | 300 | 600 |
| | CB4503 | 450 | 750 |
| | CB6003 | 600 | 900 |
| | CB9003 | 900 | 1200 |
| 450 Radius Standard for all NEMA 2, NEMA 3 & NEMA 4 | CB1504 | 150 | 600 |
| | CB3004 | 300 | 750 |
| | CB4504 | 450 | 900 |
| | CB6004 | 600 | 1050 |
| | CB9004 | 900 | 1350 |

● **A** Aluminum
 — **G** Galvabond
 — **H** Hot Dip Galvanised
 — **S** Stainless Steel

channel

fasteners

cantilever brackets

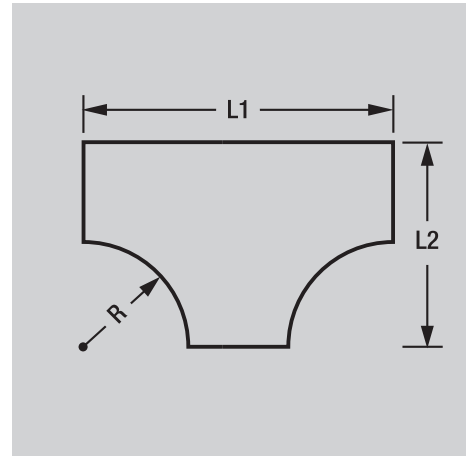
channel fittings

tray systems

steel cable ladders

aluminium cable ladders

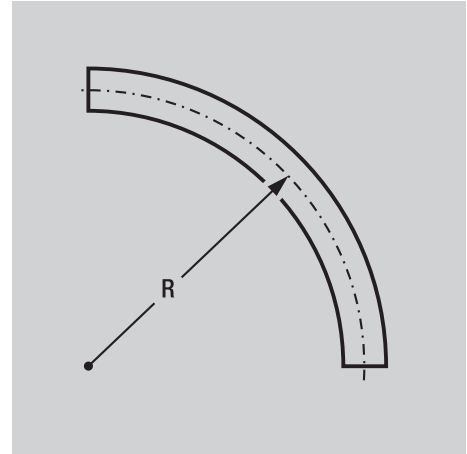
covers



| | Ordering Code | Nominal Width mm | Length L1 mm | Length L2 mm |
|--|---------------|---------------------|-----------------|-----------------|
| 300 Radius Standard for all NEMA 1 | CT1503 | 150 | 750 | 450 |
| | CT3003 | 300 | 900 | 600 |
| | CT4503 | 450 | 1050 | 750 |
| | CT6003 | 600 | 1200 | 900 |
| | CT9003 | 900 | 1500 | 1200 |
| 450 Radius Standard for all NEMA 2, NEMA 3 & NEMA 4 | CT1504 | 150 | 1050 | 600 |
| | CT3004 | 300 | 1200 | 750 |
| | CT4504 | 450 | 1350 | 900 |
| | CT6004 | 600 | 1500 | 1050 |
| | CT9004 | 900 | 1800 | 1350 |

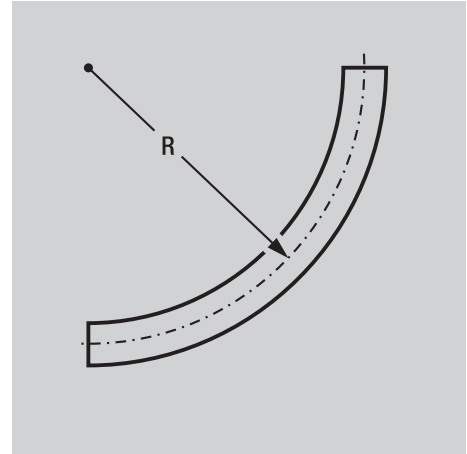
● **A** Aluminum
 — **G** Galvabond
 — **H** Hot Dip Galvanised
 — **S** Stainless Steel





| | Ordering Code | Nominal Width mm |
|---|---------------|------------------|
| 300 Radius Standard for all NEMA 1 | CER1503 | 150 |
| | CER3003 | 300 |
| | CER4503 | 450 |
| | CER6003 | 600 |
| | CER9003 | 900 |
| 450 Radius Standard for all NEMA 2, NEMA 3 & NEMA 4 | CER1504 | 150 |
| | CER3004 | 300 |
| | CER4504 | 450 |
| | CER6004 | 600 |
| | CER9004 | 900 |

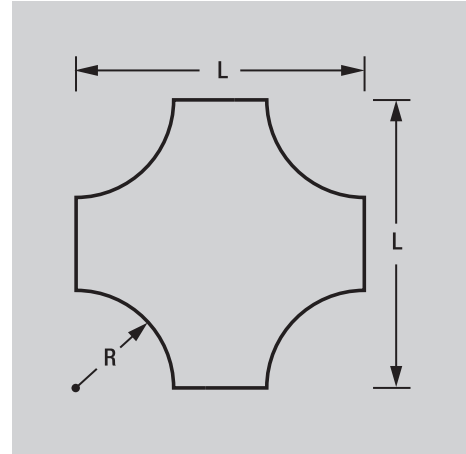
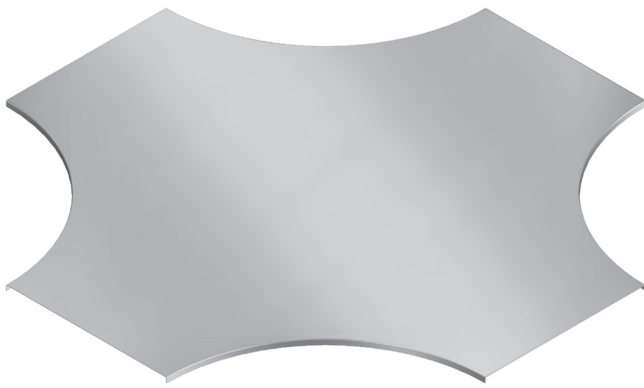
- **A** Aluminum
- **G** Galvabond
- **H** Hot Dip Galvanised
- **S** Stainless Steel



| | Ordering Code | Nominal Width mm |
|--|---------------|---------------------|
| 300 Radius Standard for all NEMA 1 | CIR1503 | 150 |
| | CIR3003 | 300 |
| | CIR4503 | 450 |
| | CIR6003 | 600 |
| | CIR9003 | 900 |
| 450 Radius Standard for all NEMA 2, NEMA 3 & NEMA 4 | CIR1504 | 150 |
| | CIR3004 | 300 |
| | CIR4504 | 450 |
| | CIR6004 | 600 |
| | CIR9004 | 900 |

● **A** Aluminum
 — **G** Galvabond
 — **H** Hot Dip Galvanised
 — **S** Stainless Steel

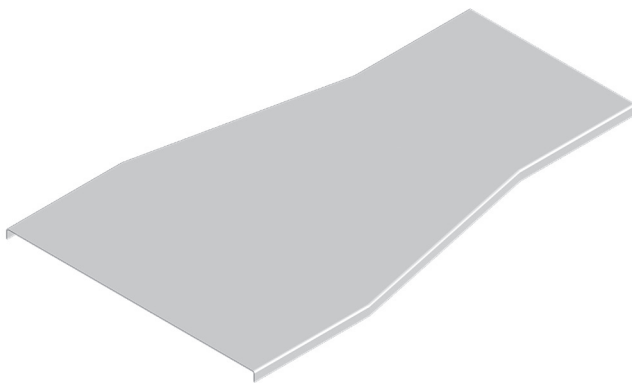
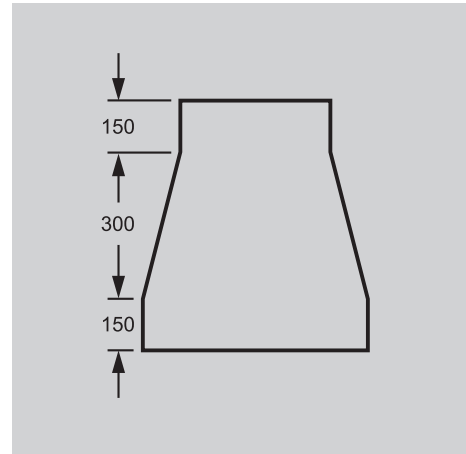
Cable Ladder - Internal Riser Cover



| | Ordering Code | Nominal Width mm | Length L mm |
|---|---------------|---------------------|----------------|
| 300 Radius Standard for all NEMA 1 | CC1503 | 150 | 750 |
| | CC3003 | 300 | 900 |
| | CC4503 | 450 | 1050 |
| | CC6003 | 600 | 1200 |
| | CC9003 | 900 | 1500 |
| 450 Radius Standard for all NEMA 2, NEMA 3 & NEMA 4 | CC1504 | 150 | 1050 |
| | CC3004 | 300 | 1200 |
| | CC4504 | 450 | 1350 |
| | CC6004 | 600 | 1500 |
| | CC9004 | 900 | 1800 |

- A Aluminum
- G Galvabond
- H Hot Dip Galvanised
- S Stainless Steel

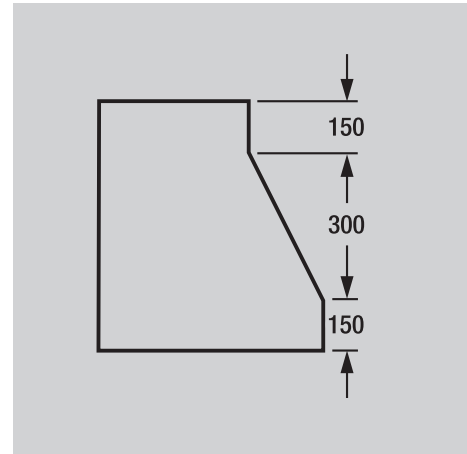
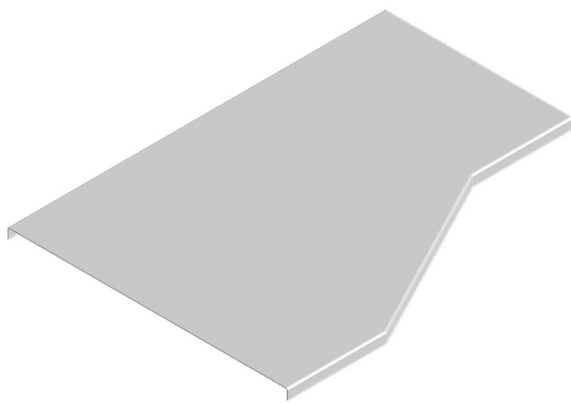
Cable Ladder - Cross Cover



| Ordering Code | Width W1 mm | Width W2 mm |
|---------------|-------------|-------------|
| CSR300150 | 300 | 150 |
| CSR450150 | 450 | 150 |
| CSR450300 | 450 | 300 |
| CSR600150 | 600 | 150 |
| CSR600300 | 600 | 300 |
| CSR600450 | 600 | 450 |
| CSR900150 | 900 | 150 |
| CSR900300 | 900 | 300 |
| CSR900450 | 900 | 450 |
| CSR900600 | 900 | 600 |

- A Aluminum
- G Galvabond
- H Hot Dip Galvanised
- S Stainless Steel

Cable Ladder - Straight Reducer Cover



| Ordering Code | Width W1 mm | Width W2 mm |
|---------------|-------------|-------------|
| CLHR300150 | 300 | 150 |
| CLHR450150 | 450 | 150 |
| CLHR450300 | 450 | 300 |
| CLHR600150 | 600 | 150 |
| CLHR600300 | 600 | 300 |
| CLHR600450 | 600 | 450 |
| CLHR900150 | 900 | 150 |
| CLHR900300 | 900 | 300 |
| CLHR900450 | 900 | 450 |
| CLHR900600 | 900 | 600 |

- A Aluminum
- G Galvabond
- H Hot Dip Galvanised
- S Stainless Steel

Cable Ladder - Left Hand Reducer Cover

channel

fasteners

cantilever brackets

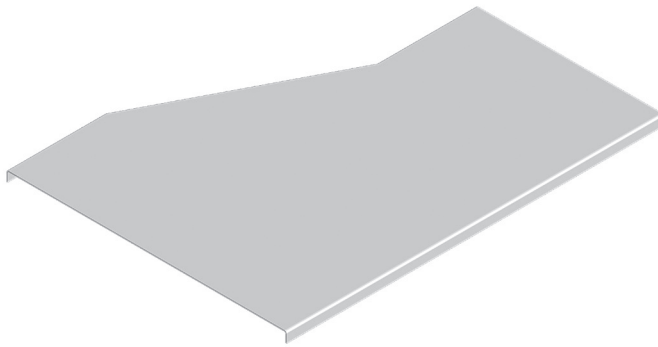
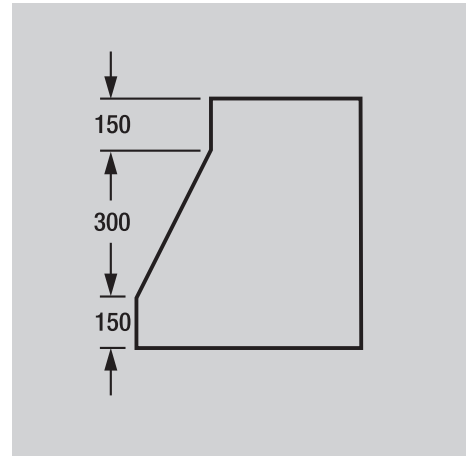
channel fittings

tray systems

steel cable ladders

aluminium cable ladders

covers



| Ordering Code | Width W1 mm | Width W2 mm |
|---------------|-------------|-------------|
| CRHR300150 | 300 | 150 |
| CRHR450150 | 450 | 150 |
| CRHR450300 | 450 | 300 |
| CRHR600150 | 600 | 150 |
| CRHR600300 | 600 | 300 |
| CRHR600450 | 600 | 450 |
| CRHR900150 | 900 | 150 |
| CRHR900300 | 900 | 300 |
| CRHR900450 | 900 | 450 |
| CRHR900600 | 900 | 600 |

- A Aluminum
- G Galvabond
- H Hot Dip Galvanised
- S Stainless Steel

Cable Ladder - Right Hand Reducer Cover