

Material Specification

- Thickness 1.6 mm
- Length 6 metres

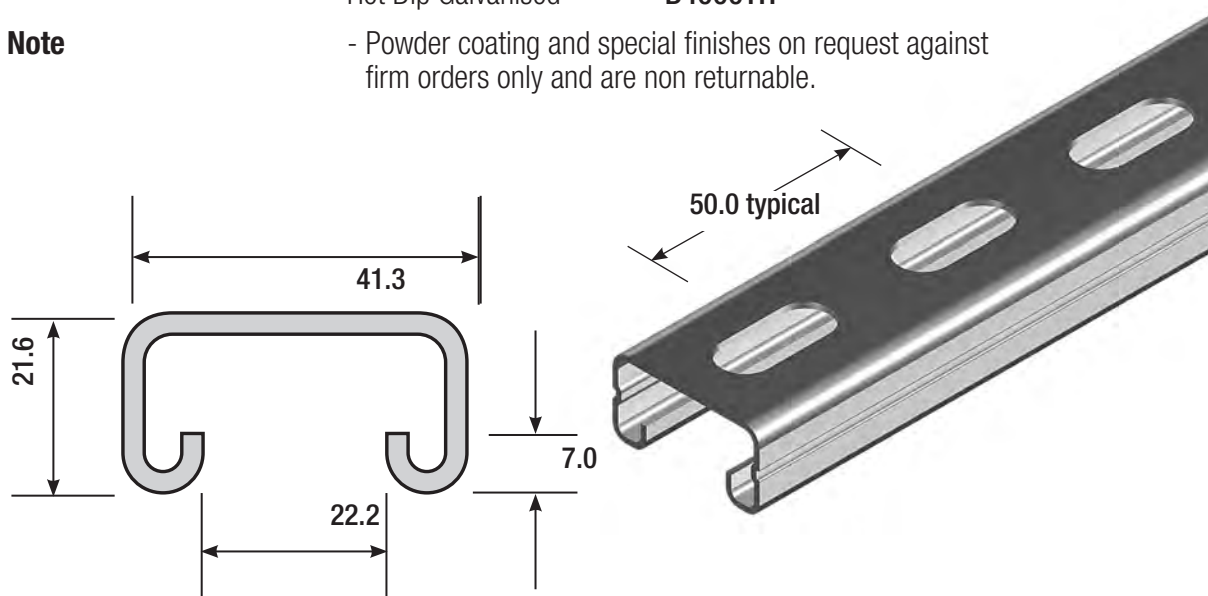
Ordering Details

- Supplied in standard 6 metre lengths.

Available Finish	Ordering Code
Pre-Galvanised	B4000TG
Hot Dip Galvanised	B4000TH

Note

- Powder coating and special finishes on request against firm orders only and are non returnable.



Span (mm)	Maximum Allowable Load kg	Deflection at Allowable Load mm
250	315	0.31
500	158	1.22
750	105	2.76
1000	80	4.89
1250	63	7.65
1500	53	11.02
1750	45	15
2000	40	19.59
2250	36	24.82
2500	32	30.61
2750	29	37.04
3000	27	44.15

B4000T Slotted Channel

▶ 7.3 kg per length

CHANNELS
1

NUTS & BOLTS
2

CANTILEVER BRACKETS
3

CHANNEL FITTINGS
4

LADDERTRAYS
5

CABLE MESH
6

STEEL LADDERS
7

ALUMINIUM LADDERS
8

FIRE RATED
9

COVERS
10

HYGROUND
11