

**Material Specification**

- Thickness 2.5 mm
- Length 6 metres

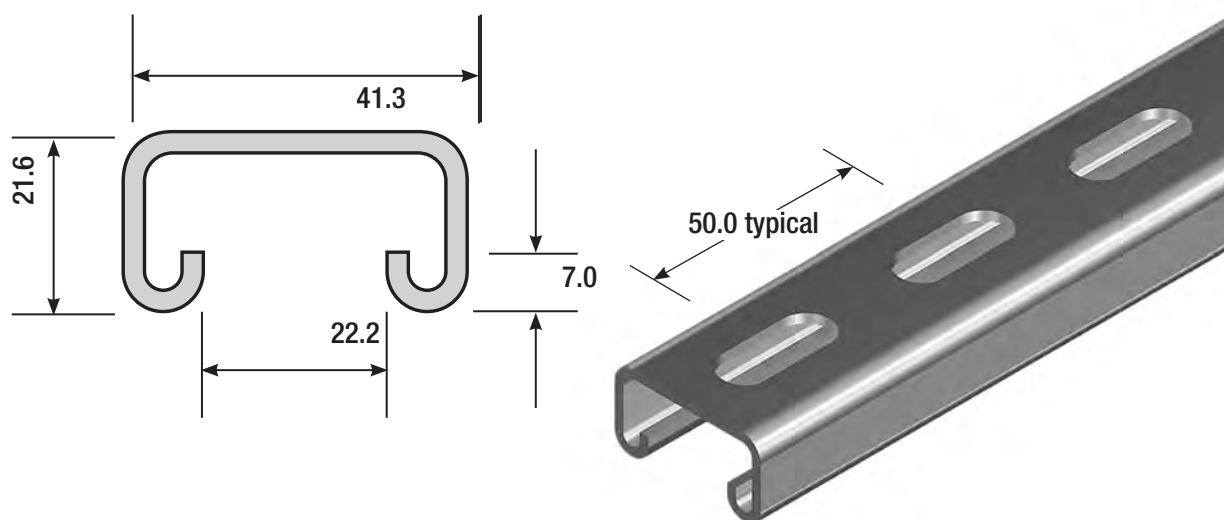
**Ordering Details**

- Supplied in standard 6 metre lengths.

<b>Available Finish</b>	<b>Ordering Code</b>
Pre-Galvanised	<b>B3300TG</b>
Hot Dip Galvanised	<b>B3300TH</b>

**Note**

- Powder coating and special finishes on request against firm orders only and are non returnable.



Span (mm)	Maximum Allowable Load kg	Deflection at Allowable Load mm
250	398	0.29
500	199	1.17
750	133	2.64
1000	99	4.69
1250	81	7.34
1500	66	10.57
1750	57	14.39
2000	50	18.79
2250	45	23.78
2500	40	29.35
2750	36	35.52
3000	34	43.37

**B3300T Slotted Channel**

▶ 9.3 kg per length