

Surface Finish

Available Finish

Code

Hot Dip Galvanised

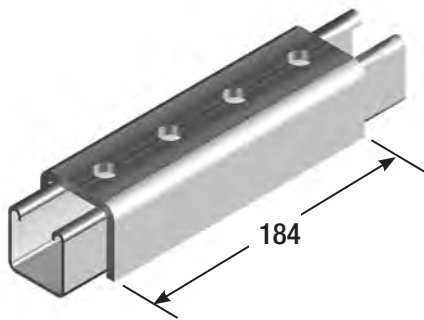
H

Stainless Steel

S

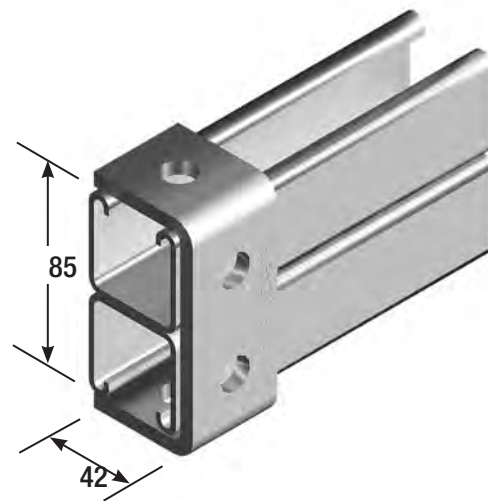
Note

- Stainless steel products are manufactured against firm orders only and are non returnable.
- Powder coating and special finishes on request against firm orders only and are non returnable.



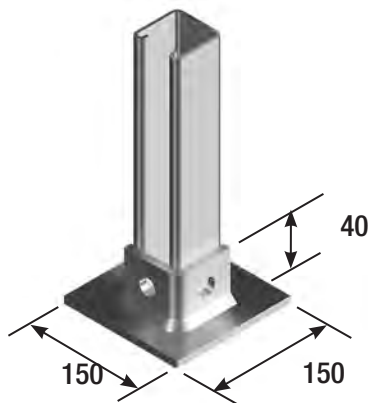
B1377

▶ Wt 1.15 kg



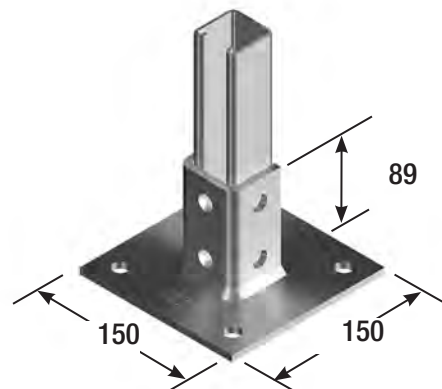
B1044

▶ Wt 0.30 kg



B2072S1

▶ Wt 0.65 kg



B2072A

▶ Wt 1.64 kg

CHANNELS

1

NUTS & BOLTS

2

CANTILEVER BRACKETS

3

CHANNEL FITTINGS

4

LADDERTRAYS

5

CABLE MESH

6

STEEL LADDERS

7

ALUMINIUM LADDERS

8

FIRE RATED

9

COVERS

10

HYGROUND

11