

**Material Specification**

- Thickness 1.6 mm
- Length 6 metres

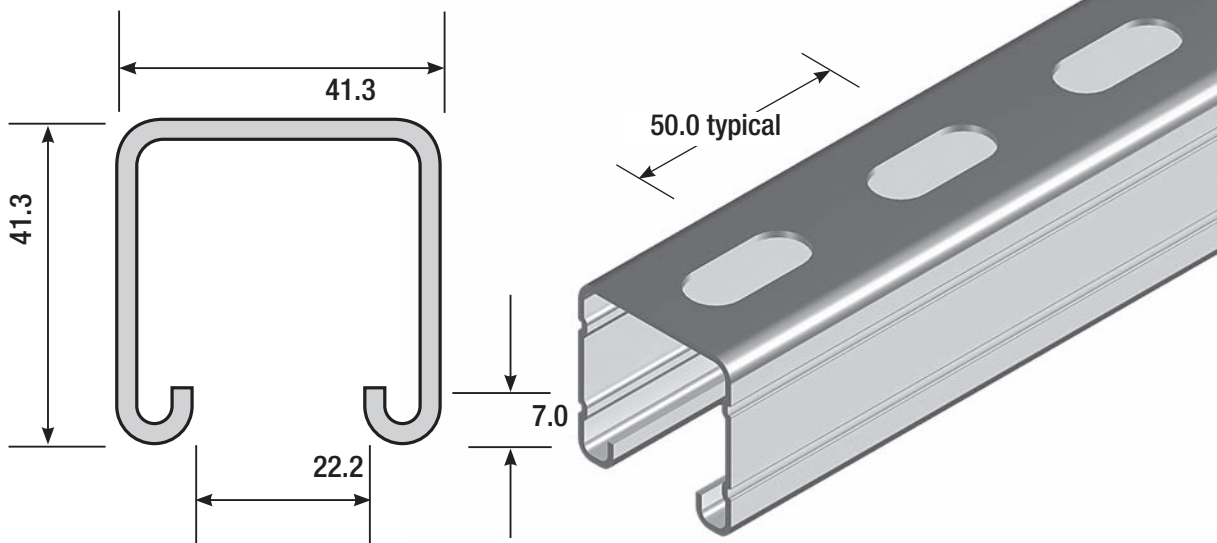
**Ordering Details**

- Supplied in standard 6 metre lengths.

<b>Available Finish</b>	<b>Ordering Code</b>
Pre-Galvanised	<b>B2000TG</b>
Hot Dip Galvanised	<b>B2000TH</b>

**Note**

- Powder coating and special finishes on request against firm orders only and are non returnable.



Span (mm)	Maximum Allowable Load kg	Deflection at Allowable Load mm
250	850	0.16
500	424	0.65
750	283	1.46
1000	212	2.59
1250	170	4.05
1500	141	5.84
1750	122	7.94
2000	106	10.37
2250	95	13.8
2500	85	16.2
2750	77	19.62
3000	71	23.24

**B2000T Slotted Channel**

▶ 10.5 kg per length

- CHANNELS 1
- NUTS & BOLTS 2
- CANTILEVER BRACKETS 3
- CHANNEL FITTINGS 4
- LADDERTRAYS 5
- CABLE MESH 6
- STEEL LADDERS 7
- ALUMINIUM LADDERS 8
- FIRE RATED 9
- COVERS 10
- HYGROUND 11