

Material Specification

- Thickness 2.5 mm (mild steel)
- Length 6 metres

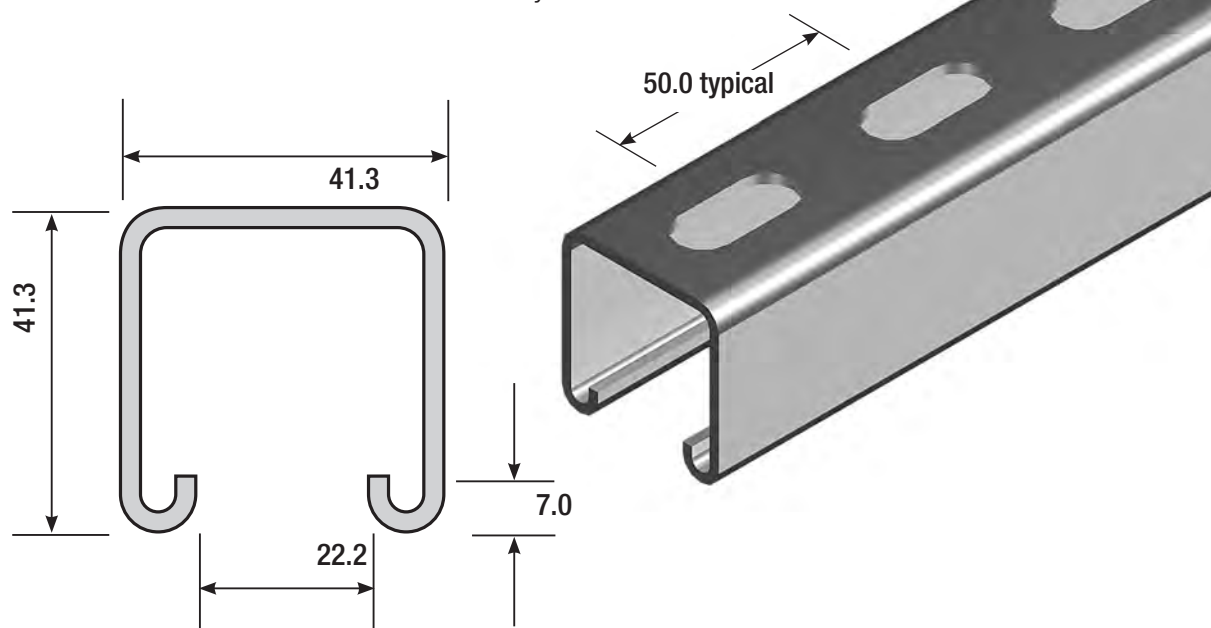
Ordering Details

- Supplied in standard 6 metre lengths.

Available Finish	Ordering Code
Pre-Galvanised	B1000TG
Hot Dip Galvanised	B1000TH
Stainless Steel	B1000TS

Note

- Powder coating and special finishes on request against firm orders only and are non returnable.



Span (mm)	Maximum Allowable Load kg	Deflection at Allowable Load mm
250	1171	0.17
500	586	0.68
750	390	1.53
1000	293	2.72
1250	234	4.25
1500	195	6.13
1750	167	8.34
2000	146	10.9
2250	130	13.8
2500	117	17.03
2750	106	20.61
3000	98	24.56

B1000T Slotted Channel

▶ 13.9 kg per length