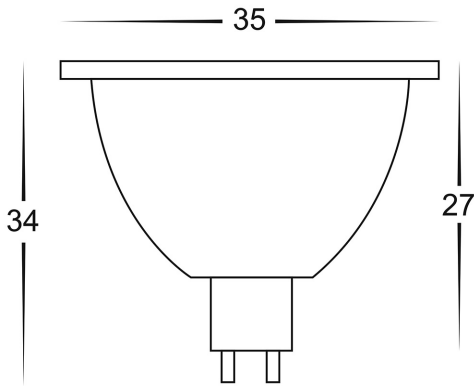


## PRODUCT SPECIFICATIONS

- Material:** Glass
- Colour:** Silver
- IP Rating:** IP20
- Lamp Base:** MR11
- CRI:** ≥80
- Wiring:** Parallel
- Dimmable:** No
- Warranty:** 2 Years Replacement\*\*



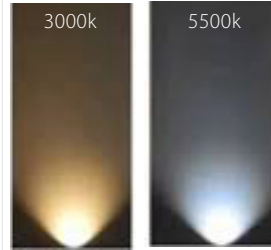
## DIMENSIONS



### COLOUR TEMPERATURE

3000k

5500k



### IP RATING



### APPROVALS



## Product Ordering

IMAGE	PART NUMBER	COLOURTEMP	LUMENS	INPUT	BEAM ANGLE	INCLUDED LED
	<b>HV9311</b>	5500k	180lm	12v DC	120°	2w MR11 LED
	<b>HV9411</b>	3000k	160lm	12v DC	120°	2w MR11 LED

\* Lumen output measured at source

\*\* See Warranty Terms and Conditions for more information

Must be used with a suitable 12v DC LED Driver

For more information contact Havit Lighting

ADDRESS:  
143 Beauchamp Road  
Matraville NSW 2036  
Australia

Tel: 02 9381 8300  
Fax: 02 9666 8881  
Email: sales@havit.com.au  
web: www.havit.com.au