

Hamilton



Hamilton

The Hamilton Palm Leaf ceiling fan by Martec allows for any household to be transformed into an island escape. Available in a high quality Old Bronze finish, you have the choice and flexibility of adapting a matching light kit (MHLKOB) to help light up any room.

The Hamilton, with its 12.5 degree blade pitch is ideal for both bedrooms and living areas where the feeling of being on a tropical island is desired.



FEATURES

- /// Full 3 year In Home warranty
- /// 5 palm leaf shaped blades
- /// 3 speed wall control with light switch
- /// Fully reversible for summer & winter
- /// Powerful and efficient 69W motor
- /// Electronically factory balanced blades
- /// Remote control adaptable
- /// 1300mm (52") blade diameter
- /// Super quiet operation
- /// Hangsure angle canopy
- /// 12.5 degree blade pitch
- /// Low air volume/movement

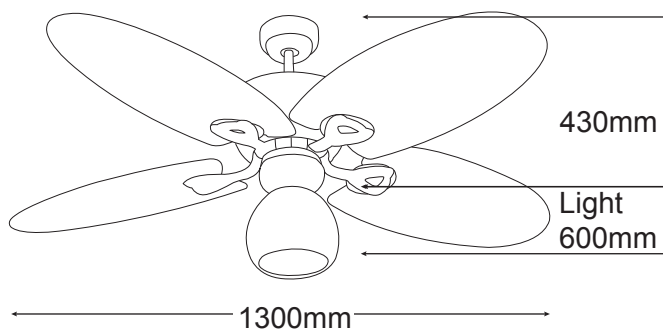


MHF134OB



MHF134OB (w/ MHLKOB)

DIAGRAMS



| | FORWARD/REVERSE | | | WALL CONTROL | LUMINOUS FLUX | MAX AIR FLOW |
|---------|-----------------|--------|-------|-----------------------------|---------------|--------------|
| | High | Medium | Low | | | |
| RPM | 166 | 113 | 80 | 3 Speed 2 + 3 5µF / 300V | N/A | TBA |
| CURRENT | 0.26A | 0.18A | 0.12A | | | |
| POWER | 63W | 29W | 15W | | | |