

# PRODUCT DATASHEET

## HQI-TS 2000 W/D/S

POWERSTAR HQI-TS | Short arc, no outer bulb for enclosed luminaires



---

### AREAS OF APPLICATION

- Sports stadiums and floodlight systems
- Sports halls and multi-purpose halls
- Airports
- Solar simulation, material testing
- Approved only for use in enclosed luminaires
- Outdoor applications only in suitable luminaires

---

### PRODUCT BENEFITS

- High efficiency
- Good to excellent color rendering
- Excellent color stability
- Small loss of luminous flux over the life of the lamp
- Hot restrike capable
- Compact dimensions for small spotlights
- Good positioning thanks to K12s base

---

### PRODUCT FEATURES

- POWERSTAR quartz technology
- Light colors: neutral white (NDL), daylight (D)



**TECHNICAL DATA**

Electrical data

<b>Nominal wattage</b>	2000.00 W
<b>Rated wattage</b>	1950.00 W
<b>Lamp current</b>	11.3 A
<b>PFC capacitor at 50 Hz</b>	60 µF <sup>1)</sup>
<b>Nominal voltage</b>	190 V
<b>Ignition voltage</b>	4.0 / 36 kVp <sup>2)</sup>

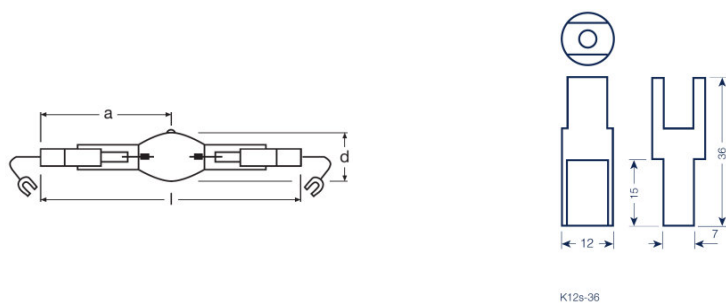
<sup>1)</sup> At rated voltage and  $\cos \varphi \geq 0.9$

<sup>2)</sup> Minimum / Maximum

Photometrical data

<b>Rated lamp efficacy (standard condition)</b>	108 lm/W
<b>Rated luminous flux</b>	210000 lm
<b>Color rendering index Ra</b>	83
<b>Color temperature</b>	6100 K
<b>Light color</b>	6100
<b>Rated LLMF at 2,000 h</b>	0.95
<b>Rated LLMF at 4,000 h</b>	0.90
<b>UV protection</b>	No
<b>Luminous flux</b>	210000 lm

Dimensions & weight



K12s-96

<b>Diameter</b>	41.0 mm
<b>Length</b>	187.0 mm
<b>Light center length (LCL)</b>	93.0 mm
<b>Product weight</b>	61.00 g

Temperatures & operating conditions

<b>Maximum permitted outer bulb temperature</b>	950 °C
---	--------

<b>Maximum permitted pinch temperature</b>	390 °C
--	--------

### Lifespan

<b>Rated lamp survival factor at 2,000 h</b>	0.94
<b>Rated lamp survival factor at 4,000 h</b>	0.61
<b>Lifespan B50</b>	4500 h

### Additional product data

<b>Base (standard designation)</b>	K12s-36
<b>Design / version</b>	Clear
<b>Mercury content</b>	180.0 mg

### Capabilities

<b>Dimmable</b>	No
<b>Burning position</b>	p15
<b>Enclosed luminaire required</b>	Yes
<b>Hot restart</b>	Yes

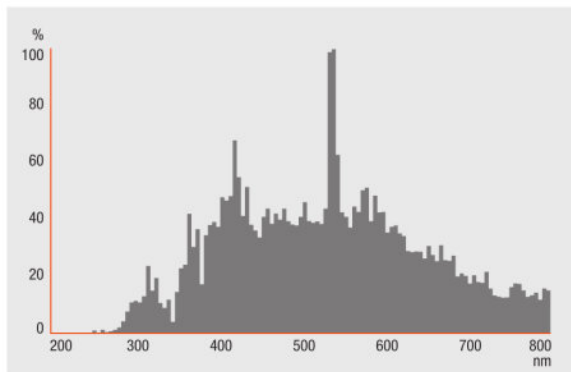
### Certificates & standards

<b>Energy efficiency class</b>	A+
<b>Energy efficiency class</b>	A+
<b>Energy consumption</b>	2145 kWh/1000h

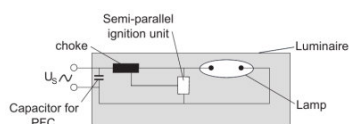
### Country-specific categorizations

<b>ILCOS</b>	MN-2000/961-E/E/SL-K12s=36-41/187/H
--------------	-------------------------------------

Light Distribution



Spectral power distribution



Circuit diagram

LOGISTICAL DATA

Product code	Product description	Packaging unit (Pieces/Unit)	Dimensions (length x width x height)	Volume	Gross weight
4050300271682	HQI-TS 2000 W/D/S	Shipping carton box 10	395 mm x 265 mm x 163 mm	17.06 dm <sup>3</sup>	1436.00 g

The mentioned product code describes the smallest quantity unit which can be ordered. One shipping unit can contain one or more single products. When placing an order, for the quantity please enter single or multiples of a shipping unit.

DISCLAIMER

Subject to change without notice. Errors and omission excepted. Always make sure to use the most recent release.