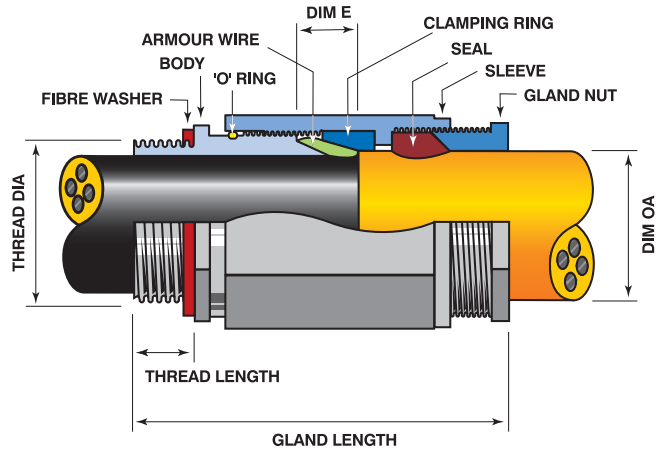


Alco

General Purpose Glands for Armoured Cable



Applications	For indoor or outdoor use
Function	Provides seal on cable sheath
Approvals	Degree of protection against ingress of water IP66/68 Compliance with AS 1939-1990
Range	ALCAW16-ALCAW120
Material	Brass, Nickel Plated
Locknut	Supplied as standard
Seal	TPE
Temperature Range	-20°C to +80°C

SPECIFICATIONS:

PART NUMBER	SEALING RANGE (MM)					THREAD DIAMETER X LENGTH	GLAND DIAMETER		GLAND LENGTH		EXPOSED LENGTH SWA 'E'	SWA DIAMETER	TORQUE (NM)	ORANGE SHROUD*		BOX QTY
	OVERBEDDING MAX	SEAL B (THICK)		SEAL A (THIN)			ACROSS FLATS	ACROSS POINTS	UNCOMPRESSED	COMPRESSED				PVC	SILICON	
		OA MIN	OA MAX	OA MIN	OA MAX											
ALCAW16	10.0	10.5	13.0	13.0	15.5	M16 x 12	27.5	29.6	65	53	11.5	0.8-1.25	9	ALCSG1	ALCSG1S	20
ALCAW20SB	10.0	10.5	13.0	13.0	15.5	M20 x 12	24.0	26.0	65	53	11.5	0.8-1.25	13	ALCSG1	ALCSG1S	14
ALCAW20-0	14.0	14.5	17.0	17.0	20.0	M20 x 12	32.5	35.0	65	53	11.5	0.8-1.25	13	ALCSG2L	ALCSG2LS	20
ALCAW20UR	16.0	-	-	19.5	22.5	M20 x 12	32.5	35.0	65	53	11.5	0.8-1.25	13	ALCSG2	ALCSG2S	20
ALCAW25	19.0	20.0	23.0	23.0	26.0	M25 x 14	37.5	40.3	77	63	14.0	1.25-1.60	21	ALCSG3	ALCSG3S	15
ALCAW32	26.0	26.0	30.0	30.0	33.5	M32 x 14	47.5	51.0	88	72	17.0	1.25-1.60	32	ALCSG4	ALCSG4S	5
ALCAW40	33.0	33.0	36.0	36.0	42.0	M40 x 15	57.5	61.9	95	78	17.0	1.60-2.0	53	ALCSG5	ALCSG5S	5
ALCAW50	42.0	41.5	46.0	46.0	51.0	M50 x 15	70.0	75.3	105	85	20.0	2.0-2.50	83	ALCSG6	ALCSG6S	2
ALCAW63	55.0	51.0	56.0	56.0	64.0	M63 x 19	85.0	91.0	125	100	20.0	2.50-3.15	132	-	ALCSG7S	1
ALCAW75	63.0	63.0	71.0	71.0	75.0	M75 x 19	100.0	108.0	135	108	26.0	2.50-3.15	188	-	ALCSG8S	1
ALCAW90	75.0	75.0	82.0	82.0	90.0	M90 x 19	110.0	119.0	156	122	31.0	2.50-3.15	290	-	ALCSG9S	1
ALCAW90B	83.0	-	-	88.0	98.0	M90 x 19	115.0	124.0	170	138	30.0	3.15	-	-	-	1
ALCAW105	96.0	-	-	96	114	M105 x 25	144.0	155.0	260	200	48.0	3.15-4.0	-	-	-	1
ALCAW120	110	-	-	112	128	M120 x 30	160.0	173.0	290	215	48.0	3.15-4.0	-	-	-	1

* For Black Shroud add 'B' to part number: e.g. ALCSG3SB. Note: Mounting thread is metric with pitch 1.5mm, unless otherwise specified. Spare seals also available (lead time and MOQ applies). Available in stainless steel upon request, lead times apply.

See website for fitting instructions. # All dimensions in mm unless otherwise specified.

Wattmaster

THE BRAND ELECTRICIANS RELY ON

T: 1300 300 747 F: 1300 300 074

www.wattmaster.com.au