



RING PLATE

WALL & CEILING MOUNTED FANS



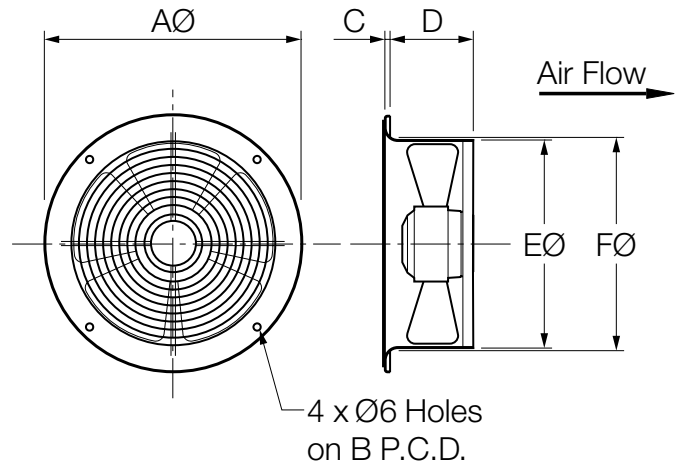
The Ring Plate Axial Fans are suitable for wall or ceiling mounting and feature a high quality galvanised steel casing, grille and impeller. Their robust construction makes them suitable for a broad range of commercial and industrial applications.

- Powerful air flow and pressure performance.
- High quality Continuous Run motor.
- Can be connected to ducting.
- Speed-controllable.
- Auto-reset thermal cut out protection fitted.
- Sealed for life ball bearings.
- 220-240V, Single-phase, 50Hz.

ACCESSORIES

- Run-on Timers & Speed Controllers.
- Flexible Duct - Fire Rated AS/NZS 4254.
- Wall Tubes.
- External Grilles.

DIMENSIONS



MODEL NO.	DUCT SIZE	AØ	B	C	D	EØ	FØ
RP202/204	200	280	250	5	95	208	215
RP252/254	250	320	295	7	103	259	266
RP302/304/306	300	395	375	7	113	310	318
RP354/356	350	460	422	7	123	360	375

All dimensions in mm

SPECIFICATIONS

MODEL NO.	AIR FLOW M ³ /H ¹	AIR FLOW L/SEC [†]	FAN SPEED REV/SEC	AVG. dB(A) @ 3M	RP. 1 PH WATTS	AMPS*	MAX. °C
RP202	792	220	43	52	70	0.36	50
RP204	468	130	24	39	30	0.14	60
RP252	1620	450	42	51	110	0.63	50
RP254	1008	280	23	40	60	0.28	60
RP302	2376	660	41	62	180	0.79	50
RP304	1728	480	22	47	90	0.41	50
RP306	1296	360	16	37	50	0.23	50
RP354	2628	730	20	49	140	0.68	50
RP356	2340	650	16	40	110	0.48	50

[†] Air flow without duct and fittings

* Amperages shown are a guide only. Refer to our Sales Department for accurate figures at time of order.

