



Image shows Touchdry with Polished Chrome Nozzle and Button. Fittings on this model will have Silver Gloss finish.



Solid touch button

**FEATURES**

Heavy duty cast aluminium hand dryer. Solid touch button operation with optional swivel nozzle. Large fan and motor assembly provides a high performance dryer designed for high traffic areas and heavy use. Easy installation with tamper-proof locking. Made in Australia.

**INSTALLATION OPTIONS**

Electrical connection by cord & plug (as supplied). Can be direct wired by an electrician.


**SPECIFICATION**

- Electrical Supply: AC, 230-240V 50Hz 10A
- Motor: 90 Watt 5000 RPM
- Element: 2310 Watt protected by thermal cut-out
- Air Velocity: 18.5m/s
- Noise Level: 76dB (A)
- Weight: Gross 5.4kg, Shipping 6kg
- Certificate of Suitability No: Q070423
- Electrical Safety Requirement: AS/NZS 60335.2.23:2004
- Protection category: IPX3

**FINISH**

White gloss casing with silver gloss finish nozzle and button. Designer colours for quantity purchases.

**RECOMMENDED INSTALLATION HEIGHT**

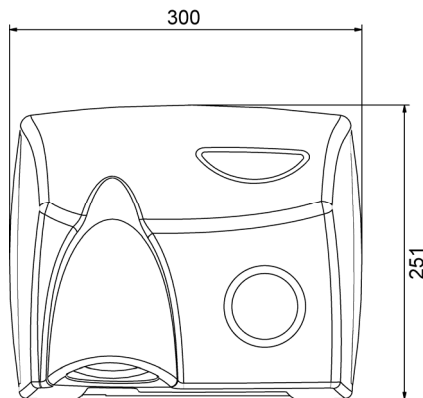
Men's washroom	1200mm
Women's washroom	1150mm
Children's washroom ages 11-15	1110mm
Children's washroom ages 5-10	850mm
Disabled person's washroom	1000mm 

**WARRANTY**

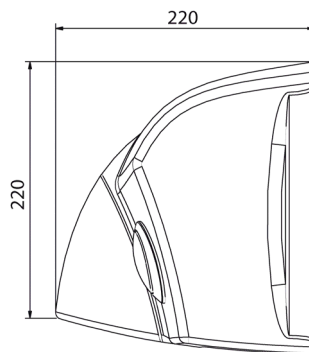
JD MacDonald Touchdry hand dryer is guaranteed against defective materials and faulty workmanship for 10 years from date of purchase, subject to being installed and maintained in accordance with the Installation and Operating Instructions supplied with the hand dryer.

**Touchdry with Silver Gloss Nozzle & Button** shall be Model No. TOUCHDRY as manufactured by JD MacDonald.

**Front View**



**Side View**



**Template View**

