

# Clearly the way to go

New Slide Connect™ G2



EMERGENCY LIGHTING & EXIT SIGN SYSTEM

 **legrand**®

[www.legrand.com.au](http://www.legrand.com.au)

# Clearly green

## Clearly energy efficient



3 watt HB-LED Single  
Light Source

The new Slide Connect™ G2 is our greenest most energy efficient exit sign yet.

In a giant leap forward from conventional light sources, the new Slide Connect™ G2 uses a **single HB-LED (High Brightness Light Emitted Diode)** delivering a high efficiency in lumens per watt.

The result is a revolutionary energy efficient exit sign, which uses **up to 70% less energy** than a conventional Slide Connect fluorescent solution.

As energy efficiency equates to significant cost saving, the **new Slide Connect™ G2** is clearly the way to go.

# Discrete by nature

In creating the **new Slide Connect™ G2** we adopted a minimalistic clear design with a combination of straight lines and a unique pure glass effect for the diffuser.

The result is a discrete exit sign, which becomes highly visible only when needed.

A design without concession, which does not forget functionality.

Silver and black body colour variations are also available.

The **new Slide Connect™ G2** is the perfect solution for any environment.



# Clearly easier

# Clearly time saving

## Save time and cost on Installation & Maintenance

### One Box Solution

The new Slide Connect™ G2 is a simple “all in one box” solution. All ‘running man’ variations are included.



Left Exit (6862 18)



Straight Exit(6862 17)



Right Exit (6862 19)

A moving person known as ‘Running Man’ is used to indicate exit sign. 3 variations cover all possibilities



(6862 00)

### Ease of Installation

The G2 retrofits to the previous generation Slide Connect bracket. **One click to replace an existing product.**



Step 1



Step 2



Step 3

### Long Life Lamp

The LED lamp source lasts up to 5 years, delivering low cost maintenance.



# Clearly Axiom Clearly Wireless Clearly the way to go

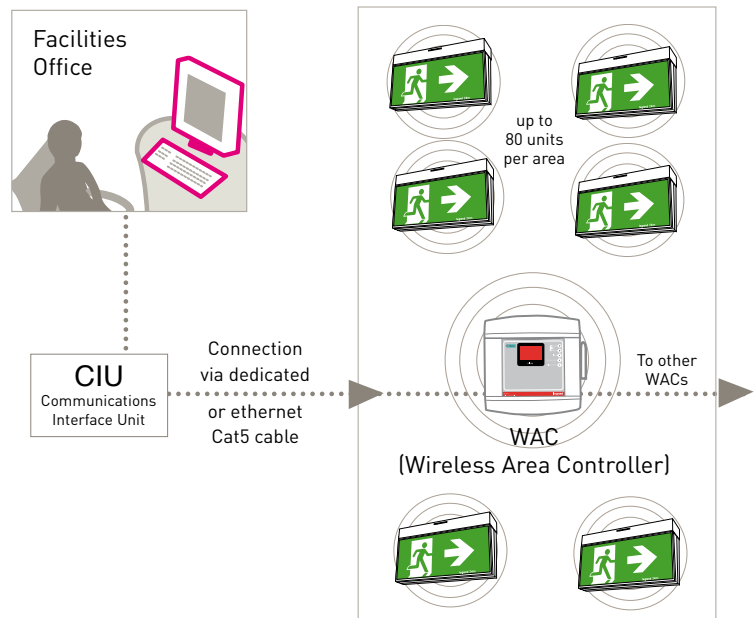


## Slide Connect™ G2 Axiom Option

The new Slide Connect™ G2 offers a version fully compatible with the Axiom wireless computer monitored system.

The Slide Connect™ G2 Axiom option enables 2-way **wireless communication** to the WAC (Wireless Area Controller) and other Axiom enabled fittings such as satellites, battens, etc eliminating the need to run communication cables.

Axiom provides a robust and versatile solution enabling building managers to monitor and perform diagnostics and discharge tests, locally, over a Local Area Network (LAN) or remotely via a modem to modem.



No communication cables, easy to install, low energy consumption, no more lamp changes, the Slide Connect™ G2 Axiom clearly guarantees the **lowest total cost of ownership**.

To get more information, please call  
1300 legrand (1300 534 726)



Axiom™  
Aeema Excellence Awards  
Best New Product in  
Electronics/Hardware

## NEW Slide Connect

Single LED light source / Exit signs



6862 00

### Slide Connect G2

Unique single LED Maintained Exit sign (Patent Pending)  
 Super Long-Life LED replaceable light source.  
 Universal design for 'One Box Solution'  
 Clamshell construction using composite PC/ABS blend materials for increased robustness.

Retrofits to previous generation Minitronics Slide Connect bracket.  
 Large terminal block for ease of connection.  
 Switched-Mode Power Supply (SMPS) and Pulse Width Modulation (PWM) driver for extremely low energy consumption and heat dissipation. The LED Slide Connect series can be wall, ceiling or cantilever mounted.

### Slide Connect G2 – Diffuser Sheets

The high efficiency diffuser sheets are made of polycarbonate for long life, optimum colour, uniformity and excellent light transmission.

#### Pack Cat No. Body, Bracket & Diffusers

Pack	Cat No.	Body, Bracket & Diffusers	
		<b>SPU</b>	
		Standard	
		NiCd two rate charge (Rate 150mA high - 40mA Low)	
1	6862 00	White body c/w Running Man sheets (set of 4)	LSC102RM
1	6862 01	White body (set of 3) c/w EXIT sheets, Peel-Off-Arrow	LSC102X
1	6862 08	Silver body (set of 4) c/w Running Man sheets	LSC102SRM
1	6862 09	Silver body c/w EXIT sheets, Peel-Off-Arrow (set of 3)	LSC102SX
1	6862 06	Black body less diffuser sheets (no downward lens)	LSC102B

#### Computer Monitored SPU's

##### AXIOM Wireless

1	6862 03	NiCd two rate charge (Rate 150mA high - 40mA Low) White body c/w Running Man sheets (set of 4)	AXLSC102RM
1	6862 04	White body c/w EXIT sheets, Peel-Off-Arrow (set of 3)	AXLSC102X
1	6862 11	Silver body c/w Running Man sheets (set of 4)	AXLSC102SRM
1	6862 12	Silver body c/w EXIT sheets, Peel-Off-Arrow (set of 3)	AXLSC102SX
1	6862 07	Black body less diffuser sheets (no downward lens)	AXLSC102B

##### COMMANDER Wired

1	6862 03	NiCd two rate charge (Rate 150mA high - 40mA Low) White body c/w Running Man sheets (set of 4)	AXLSC102RM
1	6862 04	White body c/w EXIT sheets, Peel-Off-Arrow (set of 3)	AXLSC102X
1	6862 11	Silver body c/w Running Man sheets (set of 4)	AXLSC102SRM
1	6862 12	Silver body c/w EXIT sheets, Peel-Off-Arrow (set of 3)	AXLSC102SX
1	6862 07	Black body less diffuser sheets (no downward lens) AXLSC102B (no downward lens)	

#### Pack Cat No. Diffusers

Pack	Cat No.	Diffusers	Prod code
1	6862 17	Running Man straight ahead	G2RM
1	6862 18	Running Man Left	G2RML
1	6862 19	Running Man Right	G2RMR
1	6862 21	Running Man set (1xRM,1xRML,1xRMR, 1x Opaque)	G2RM4
1	6862 20	Running Man straight ahead, Green On Black	G2RMGB
1	6862 22	EXIT Peel-Off-Arrows	G2POA
1	6862 27	EXIT Peel-Off-Arrows, Green On Black	G2POAGB
1	6862 29	Blank (Opal)	Blank
1	6862 28	Opaque (No light transmitted)	G2OPAQUE
1	6862 30	Custom Printing	G2CUSTOM

#### Accessories

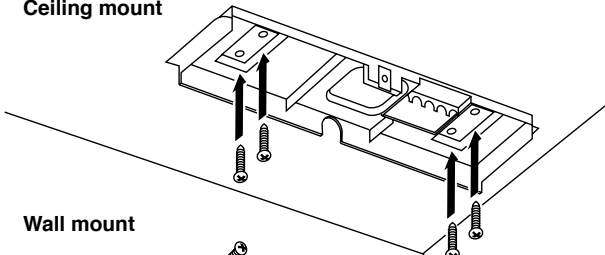
1	6862 15	Cantilever Bracket, White acrylic	G2BRKT
1	6862 16	Wire Suspension Kit, Silver Pair of 2	G2SUSPN
1	6862 31	Mounting Bracket	G2MNTBRK

# NEW Slide Connect

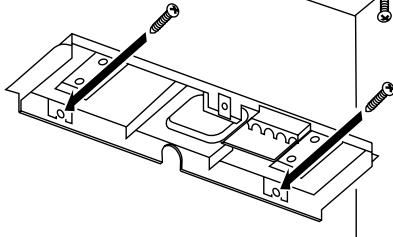
Single LED light source / Exit signs

## Product Installation

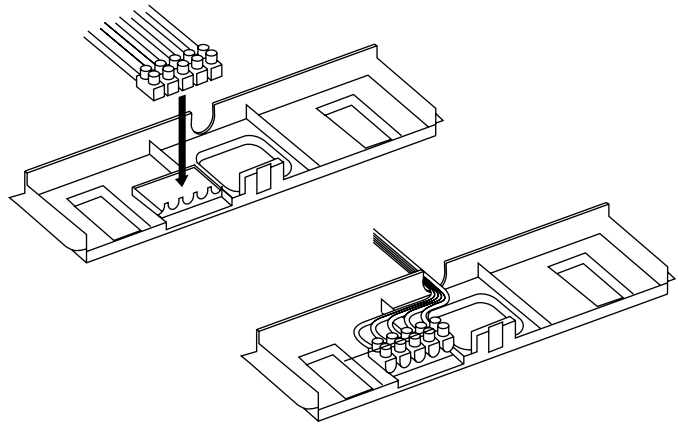
### Ceiling mount



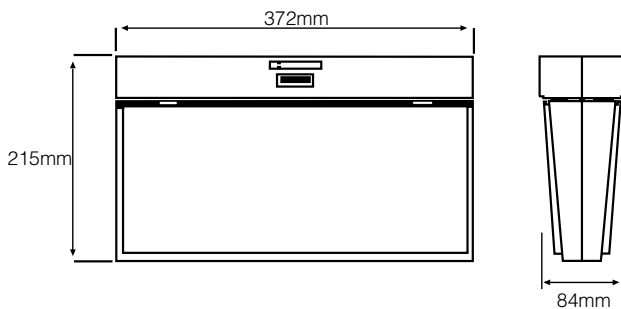
### Wall mount



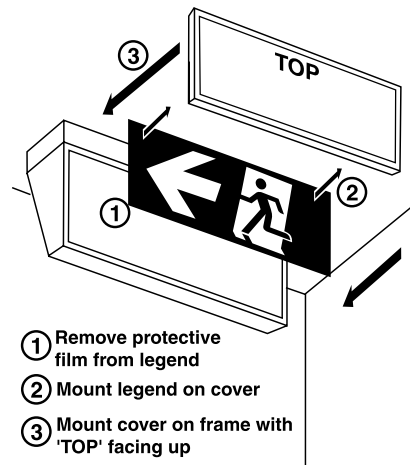
## Cable Management



## Dimensions



## Diffuser Installation



- ① Remove protective film from legend
- ② Mount legend on cover
- ③ Mount cover on frame with 'TOP' facing up

Classification	Metres	Maximum spacing** between luminaires Mounting height (Metres)						
		2.1	2.4	2.7	3	3.3	3.6	4
A1.25		2.5	2.4	2.2	1.9	1.3		
A1.6		2.8	2.8	2.7	2.5	2.2	1.8	
D1.25		4.0	3.8	3.4	2.9	2.0		
E1.6		4.8	4.8	4.8	4.4	4.0	4.2	3.8

\*\* 2 metres or less mounting heights are considered impractical, and are not included in the table. Maximum spacings for mounting heights between the values given in the table may be obtained by interpolation.

Catalogue No.	Photometric Report		Photometric Report	
	Ceiling Mount		Wall Mount	
	C <sub>0</sub>	C <sub>90</sub>	C <sub>0</sub>	C <sub>90</sub>
686200	D1.25	A1.25	E1.6	E1.6
686201	D1.25	A1.25	E1.6	E1.6
686203	D1.25	A1.25	E1.6	E1.6
686204	D1.25	A1.25	E1.6	E1.6
686208	D1.25	A1.25	E1.6	E1.6
686209	D1.25	A1.25	E1.6	E1.6
686211	D1.25	A1.25	E1.6	E1.6
686212	D1.25	A1.25	E1.6	E1.6



**HPM Legrand Head Office**  
99 St Hilliers Road  
Auburn NSW 2144

Tel: 02 8748 0333  
Fax: 02 8748 0345  
Web: [www.legrand.com.au](http://www.legrand.com.au)