



INDUSTRIAL

HAZARDOUS  
AREAS

DATA ICT

RESIDENTIAL  
COMMERCIAL



## B&R Enclosures INCLINE SR

[brenclosures.com.au](http://brenclosures.com.au)

# Incline SR

## Mining and Industrial Enclosures



- Designed for rugged industrial applications including local control stations, mini control consoles or motor isolators.
- Suitable for mine sites and sugar mills.
- 30° sloping roof and 20mm overhang to prevent build up of solids.
- Specially designed gutter system.
- Conformity, Approvals:  
Lloyds Register #06/10007 (E2)
- Manufactured from 1.5mm thick 316 stainless steel.
- N4 surface finish or powdercoated X15 orange.

Comes standard with:

- 2mm steel mounting pan powdercoated white
- Stainless steel gland plate
- Mounting flanges top & bottom
- Stainless steel lock with 7mm square stainless steel insert (NI020/S)
- Door rails
- Earth strap kit



### ORDERING GUIDE

Part Number		Dimensions (mm)											Weight (kg)
		External				Internal	Mounting Pan		Gland Opening		Mounting Centres		
Standard	X15 Orange	Height (A)	Width (B)	Depth (C)	Total Height (D)**	Usable Depth* (E)	Height (F)	Width (G)	Width (H)	Depth (I)	Height (J)	Width (K)	
SR03021/S	SR03021/SRO <sup>▲</sup>	300	200	150	507	140	250	150	175	70	477	100	5.5
SR04031/S	SR04031/SRO <sup>▲</sup>	400	300	150	607	140	350	250	175	70	577	200	9.0
SR03042/S■	SR03042/SRO <sup>▲</sup>	300	400	200	536	190	250	350	250	120	506	300	10.0
SR04042/S■	SR04042/SRO <sup>▲</sup>	400	400	200	636	190	350	350	250	120	606	300	13.0
SR06042/S■	SR06042/SRO <sup>▲</sup>	600	400	200	836	190	550	350	250	120	806	300	17.0
SR04062/S■	SR04062/SRO <sup>▲</sup>	400	600	200	636	190	350	550	440	120	606	500	18.0
SR08062/S■		800	600	200	1036	190	750	550	440	120	1006	500	31.0
SR10062/S■		1000	600	200	1236	190	950	550	440	120	1206	500	37.0
SR04063/S■	SR04063/SRO <sup>▲</sup>	400	600	300	694	290	350	550	440	120	663	500	21.0
SR06063/S■	SR06063/SRO <sup>▲</sup>	600	600	300	894	290	550	550	440	120	863	500	28.0
SR08063/S <sup>▲</sup>	SR08063/SRO <sup>▲▲</sup>	800	600	300	1094	290	750	550	440	120	1063	500	35.0

<sup>▲</sup> Available on request

\* Mounting pan to inside of door

\*\* Includes from bottom of enclosures to top mounting flange

■ Includes vertical door rails

<sup>▲</sup> Includes horizontal and vertical door rails



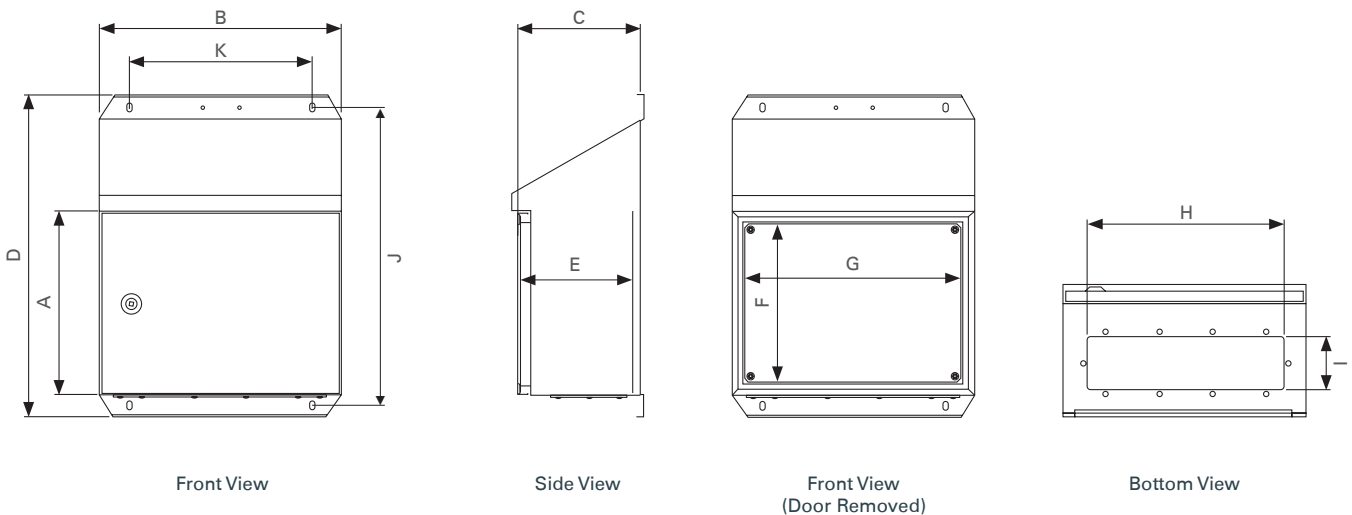
See **Page 4** for a range of lock options available for the Incline SR range.

## ACCESSORIES

Product	Description	Part Number	Dimensions (mm)			SR03021/S (/SRO)	SR04031/S (/SRO)	SR03042/S (/SRO)	SR04042/S (/SRO)	SR06042/S (/SRO)	SR04062/S (/SRO)	SR08062/S	SR10062/S	SR04063/S (/SRO)	SR06063/S (/SRO)	SR08063/S (/SRO)
			Height	Width	Thickness											
Mounting pan	Insulated	SRIMP032	250	150	6	•										
		SRIMP034	250	350	6		•	•								
		SRIMP044	350	350	6				•							
		SRIMP046	350	550	6					•					•	
		SRIMP064	550	350	6					•						
		SRIMP066	550	550	6											•
		SRIMP086	750	550	6							•				•
Gland plate	Brass	SRBGP3/1	195	100	3	•	•									
		SRBGP3/2	290	160	3			•	•	•						
		SRBGP3/3	480	160	3						•	•	•	•	•	•
	316 stainless steel	SRBGP6/1	195	100	6	•	•									
		SRBGP6/2	290	160	6			•	•	•						
		SRBGP6/3	480	160	6						•	•	•	•	•	•
	Aluminium	SRS GP/1	195	100	1.5	•	•									
		SRS GP/2	290	160	1.5			•	•	•						
		SRS GP/3	480	160	1.5						•	•	•	•	•	•
	External vent kit	316 stainless steel	SRAGP6/1	195	100	6	•	•								
SRAGP6/2			290	160	6			•	•	•						
SRAGP6/3			480	160	6						•	•	•	•	•	
Replacement hinge	Kit	IPVK/S	130	130	-	•	•	•	•	•	•	•	•	•	•	
		IPVK16/S	260	260	-	^	^	^	^	^	^	^	^	^	•	•
Touch up paint (150g)	X15 Orange	TUP/P24	-	-	-	•	•	•	•	•	•	•	•	•	•	

^ Fits door only

## TECHNICAL DRAWING



# Locks

## Locks to suit special purpose enclosures

### Standard Locks



Enclosure	SI	SS
Universal DD ≤1600mm	DD020 – chromed steel with 7mm square steel insert	DD020/PS – black powdercoated lock with 7mm square stainless steel insert
Universal DD +1600mm	DD050 – lockable L handle keyed 92268	DD050 – lockable L handle keyed 92268
Incline SR	–	NI020/S – stainless steel lock with 7mm square stainless steel insert
Hedland PH	–	NI020/S – stainless steel lock with 7mm square stainless steel insert
Finucane FI	–	NI020/S – stainless steel lock with 7mm square stainless steel insert
Bowen Series	–	NI028S/S – stainless steel lock with 8mm square slotted stainless steel insert
Pilbara SP	SP/LCK – chromed steel padlockable swing handle with LockSock®	SP/LCK/S – stainless steel padlockable swing handle with LockSock®
Lambert LB	–	SP/LCK/S – stainless steel padlockable swing handle with LockSock®
Miner ME	NI020 – chromed steel with 7mm square steel insert	–
Universal PB	NI020 – chromed steel with 7mm square steel insert	NI020/PS – black powdercoated lock with 7mm square stainless steel insert

### Lock Options for Special Purpose Enclosures

There are a number of lock options available that are suitable for use on special purpose enclosures. Contact your local sales representative to discuss your requirements.

Product	Description	Part Number	Standard Lock/Insert	Alternative insert	Keys		
					Lockable handles	Plastic, 3-way	Aluminium, 4-way
Turnbuckle	chromed steel	NI020	7mm square – steel	See page 5		SKU	SKZ
		DD020	7mm square – steel	See page 5		SKU	SKZ
	powdercoated	NI020/PS	7mm square – stainless steel	See page 5		SKU	SKZ
		DD020/PS	7mm square – stainless steel	See page 5		SKU	SKZ
	stainless steel	NI020/S	7mm square – stainless steel	See page 5		SKU	SKZ
		NI028S/S	8mm square slotted – stainless steel	See page 5			
Wing knob	lockable	NI030	Key code 92268			SK3	
		DD030	Key code 92268			SK3	
	non-lockable	NI111	–				
		DD111	–				
T-handle	lockable	NI040	Key code 92268			SK3	
		DD040	Key code 92268			SK3	
L-handle	lockable	NI050	Key code 92268			SK3	
		DD050	Key code 92268			SK3	
	padlockable – steel	NI052	–				
		DD052	–				
	padlockable – stainless steel	NI052/S	–				
		DD052/S	–				
Swing handle	padlockable – steel	SP/LCK	–				
	padlockable – stainless steel	SP/LCK/S	–				
LockSock®	plastic	SP/LCK/DC	To suit SP/LCK				
Dust cap	plastic	NI020/DC	To suit NI020 lock				

# Locks

Locks to suit special purpose enclosures



## Lock Inserts for Locks

The NI020 locks are available with an option lock insert for use on all special purpose enclosures. Contact your local sales engineer to discuss your requirements.

To suit lock style	Description	To suit lock	Standard Insert	3mm double bit pin		8mm square		8mm square slotted		8mm triangle	
				Steel	Stainless Steel	Steel	Stainless Steel	Stainless Steel	Steel	Stainless Steel	
Turnbuckle	chromed steel	NI020 or DD020	7mm square – steel	LKINS3P		LKINS8S		LKINS8SS/S		LKIN8T	
	powdercoated with SS insert	NI020/PS or DD020/PS	7mm square – stainless steel		LKINS3P/S		LKINS8S/S	LKINS8SS/S			LKINS8T/S
	stainless steel	NI020/S or DD020/PS	7mm square – stainless steel		LKINS3P/S		LKINS8S/S	LKINS8SS/S			LKINS8T/S
Key required – aluminium			SKZ	SKZ	SKZ	SK8	SK8	SK8		SKZ	SKZ
Key required – plastic			SKU	SKU	SKU					SKU	SKU

## AUSTRALIA

### Sales

T: 1300 Enclosures (1300 362 567)

F: 1300 796 599

E: [sales@brenclosures.com.au](mailto:sales@brenclosures.com.au)

[brenclosures.com.au](http://brenclosures.com.au)

### QUEENSLAND

Brisbane Manufacturing, Sales & Warehouse

51 Stradbroke Street

Heathwood QLD 4110

(PO Box 1151)

Browns Plains BC QLD 4118

T: +61 7 3714 1111

E: [salesqld@brenclosures.com.au](mailto:salesqld@brenclosures.com.au)

### NORTH QUEENSLAND

Townsville Sales & Warehouse

Unit 4 / 780 Ingham Road

Mount Louisa QLD 4814

(PO Box 7615)

Garbutt QLD 4814

T: +61 7 4727 1900

E: [salestvl@brenclosures.com.au](mailto:salestvl@brenclosures.com.au)

### NEW SOUTH WALES

NSW & ACT Sales & Warehouse

Unit 12/100 Belmore Road North

(PO Box 192)

Riverwood NSW 2210

T: +61 2 9915 9555

E: [salesnsw@brenclosures.com.au](mailto:salesnsw@brenclosures.com.au)

### NEWCASTLE Distribution

109-111 Broadmeadow Road

Broadmeadow NSW 2292

T: +61 2 4961 4433

F: +61 2 4961 2498

### VICTORIA

VIC & TAS Sales & Warehouse

50-52 Sunmore Close

Heatherton VIC 3202

T: +61 3 9552 0552

E: [salesvic@brenclosures.com.au](mailto:salesvic@brenclosures.com.au)

### TASMANIA Distribution

W P Martin Pty Ltd

85 Elizabeth Street

Launceston TAS 7250

T: +61 3 6331 5545

F: +61 3 6331 4256

## SOUTH AUSTRALIA

SA & NT Manufacturing, Sales & Warehouse

505 Grand Junction Road

Wingfield SA 5013

T: +61 8 8417 6222

E: [saleswa@brenclosures.com.au](mailto:saleswa@brenclosures.com.au)

### NORTHERN TERRITORY Distribution

Cnr Hidden Valley & Beaton Roads

Berrimah NT 0828

T: +61 8 8947 0870

F: +61 8 8947 0764

### WESTERN AUSTRALIA

WA Sales Office & Warehouse

6 Montgomery Way

Malaga WA 6090

T: +61 8 6310 4777

E: [saleswa@brenclosures.com.au](mailto:saleswa@brenclosures.com.au)

## NEW ZEALAND

### Sales

B&R Enclosures Limited

T: 0800 Enclosures (0800 362 567)

E: [sales@brenclosures.co.nz](mailto:sales@brenclosures.co.nz)

[brenclosures.co.nz](http://brenclosures.co.nz)

### AUCKLAND Distribution

Unit 6/103 Cryers Road

East Tamaki Auckland NZ 2013

T: +64 9 265 2097

F: +64 9 265 2437

E: [sales@brenclosures.co.nz](mailto:sales@brenclosures.co.nz)

### CHRISTCHURCH Distribution

17 Washbournes Road

Wigram Christchurch NZ 8042

T: +64 3 348 0659

F: +64 3 348 4043

E: [sales@brenclosures.co.nz](mailto:sales@brenclosures.co.nz)

## CHINA

### Sales

B&R Enclosures (Suzhou) Co. Ltd

E: [sales@brenclosures.com.cn](mailto:sales@brenclosures.com.cn)

[brenclosures.com.cn](http://brenclosures.com.cn)

### SUZHOU

Suzhou Sales Office & Manufacturing

Building 45 Chuangtou Industrial Zone

SIP, Suzhou 215122

PEOPLE'S REPUBLIC OF CHINA

T: +86 512 8718 2139

F: +86 512 8718 2140

E: [sales@brenclosures.com.cn](mailto:sales@brenclosures.com.cn)

## SOUTH EAST ASIA

### Sales

B&R Enclosures SDN BHD

E: [sales@brenclosures.com.au](mailto:sales@brenclosures.com.au)

[brenclosures.com.au](http://brenclosures.com.au)

### MALAYSIA

Malaysia Sales Office & Manufacturing

No.38-1, Puchong Gateway Square,

Jalan Suria Puchong 4,

Pusat Perniagaan Suria Puchong

47110, Puchong, Selangor, Malaysia

T: +603 8958 3923 or +603 8959 3923

F: +603 8958 3223

E: [sales@brenclosures.com.au](mailto:sales@brenclosures.com.au)

## MIDDLE EAST

### Sales

B&R Gulf

E: [sales@brgulf.com.sa](mailto:sales@brgulf.com.sa)

[brenclosures.com.sa](http://brenclosures.com.sa)

### DAMMAM

Dammam Sales Office & Manufacturing

Factory No. 119, Modon Buildings

King Salman Road, Industrial Area 3

Dammam, Kingdom of Saudi Arabia

T +96 638 128 691 or +96 650 349 6592

E: [sales@brgulf.com.sa](mailto:sales@brgulf.com.sa)