



INDUSTRIAL

HAZARDOUS
AREAS

DATA ICT

RESIDENTIAL
COMMERCIAL



B&R Enclosures
POLYNOVA PM

brenclosures.com.au

Polynova PM

Modular Enclosures & Distribution System



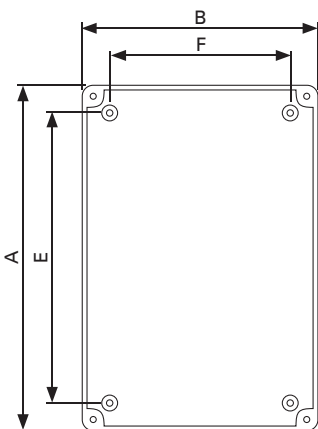
- Suitable for general electrical applications including power distribution, junction and marshalling, process control and automation.
 - Designed for use as an individual enclosure or arranged in combinations to form complete distribution banks.
 - Modularity allows for changing depth without comprising the IP rating.
 - Capable of withstanding temperatures -25°C to 120°C.
 - Conformity, Approvals:
 - UL94, V1 rating
 - IEC695: 960° Glow Wire Test
 - Manufactured from UV stabilised polycarbonate.
 - Light Grey RAL7035.
- Comes standard with:
- Insulated mounting pan
 - Thermoplastic screws



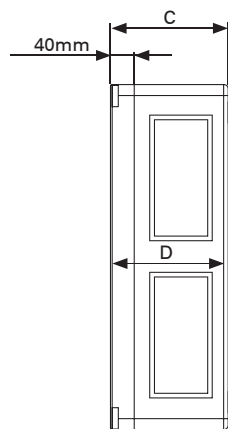
ORDERING GUIDE

Part Number		Dimensions (mm)							Weight (kg)
		External			Internal	Mounting Pan			
Opaque	Transparent	Height (A)	Width (B)	Depth (C)	Usable Depth (D)	Height (E)	Width (F)		
PM2718	PM2718/T	270	180	165	140	200	110	1.5	
PM2727	PM2727/T	270	270	165	140	200	200	2.0	
PM3627	PM3627/T	360	270	165	140	290	200	2.6	
PM5427	PM5427/T	540	270	165	140	470	200	3.7	
PM5436	PM5436/T	540	360	165	140	470	290	5.0	

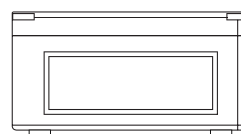
TECHNICAL DRAWINGS



Front View



Side View

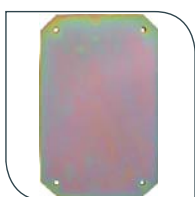


Bottom View

ACCESSORIES

Product	Description	Catalogue No.	Dimensions (mm)			PM2718(T)	PM2727(T)	PM3627(T)	PM5427(T)	PM5436(T)
			Height	Width	Thick					
Mounting pan	Metal	PM2718/M	240	150	2	•				
		PM2727/M	240	240	2		•			
		PM3627/M	330	240	2			•		
		PM5427/M	510	240	2				•	
	Insulated	PM5436/M	510	330	2					•
		PM2718/I	240	150	2	•				
		PM3627/I	330	240	2			•		
		PM5427/I	510	240	2				•	
Mounting pan spacers	20mm offset M8	PM/RS20	-	-	-	•	•	•	•	•
	40mm offset M8	PM/RS40	-	-	-	•	•	•	•	•
	60mm offset M8	PM/RS60	-	-	-	•	•	•	•	•
Depth spacers – non-metallic	55mm	PM2718/S	270	180	-	•				
		PM2727/S	270	270	-		•			
		PM3627/S	360	270	-			•		
		PM5427/S	540	270	-				•	
		PM5436/S	540	360	-					•
Wall-mounting brackets	Set of 4	PM/WMB	-	-	-	•	•	•	•	•
DIN rail – aluminium	215mm long	PM/D2	-	-	-					
	308mm long	PM/D3	-	-	-	•	•	•	•	
Rail kit – C section (for mounting DIN rail)	215mm long	PM/CR2	-	-	-			•		•
	308mm long	PM/CR3	-	-	-				•	•
	485mm long	PM/CR5	-	-	-				•	•
Gasket joining kit	for 180mm side	PM/GS18	-	-	-	•				
	for 270mm side	PM/GS27	-	-	-	•	•	•	•	
	for 360mm side	PM/GS36	-	-	-	•	•	•	•	•
Cover fixing accessories	screwdriver slot cover screw	PM/SS	-	-	-	•	•	•	•	•
	screw – flexible hinge, non-metallic	PM/HS	-	-	-	•	•	•	•	•
Hinges – lid	Brass (quantity 1)	PM/HM*	-	-	-	•	•	•	•	•
Gasket for hinging lids	For PM/HM hinges (2 metres)	PM/HG	-	-	-	•	•	•	•	•
Ventilation plugs – nylon	22.2mm diameter	PM/VP22	-	-	-	•	•	•	•	•
Cable sealing box – non-metallic	to suit 180 (H/W) enclosure	PM/CB1	-	-	-	•				
	to suit 270 (H/W) enclosure	PM/CB2	-	-	-	•	•	•	•	
	to suit 360 (H/W) enclosure	PM/CB3	-	-	-			•	•	•

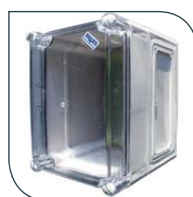
* PM/HG is required when ordering PM/HM to maintain IP rating



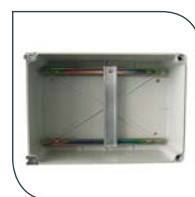
Metal mounting pan



Insulated mounting pan



Depth spacers 55mm



Rail kit – C Section

AUSTRALIA

Sales

T: 1300 Enclosures (1300 362 567)

F: 1300 796 599

E: sales@brenclosures.com.au

brenclosures.com.au

QUEENSLAND

Brisbane Manufacturing, Sales & Warehouse

51 Stradbroke Street

Heathwood QLD 4110

(PO Box 1151)

Browns Plains BC QLD 4118

T: +61 7 3714 1111

E: salesqld@brenclosures.com.au

NORTH QUEENSLAND

Townsville Sales & Warehouse

Unit 4 / 780 Ingham Road

Mount Louisa QLD 4814

(PO Box 7615)

Garbutt QLD 4814

T: +61 7 4727 1900

E: salestvl@brenclosures.com.au

NEW SOUTH WALES

NSW & ACT Sales & Warehouse

Unit 12/100 Belmore Road North

(PO Box 192)

Riverwood NSW 2210

T: +61 2 9915 9555

E: salesnsw@brenclosures.com.au

NEWCASTLE Distribution

109-111 Broadmeadow Road

Broadmeadow NSW 2292

T: +61 2 4961 4433

F: +61 2 4961 2498

VICTORIA

VIC & TAS Sales & Warehouse

50-52 Sunmore Close

Heatherton VIC 3202

T: +61 3 9552 0552

E: salesvic@brenclosures.com.au

TASMANIA Distribution

W P Martin Pty Ltd

85 Elizabeth Street

Launceston TAS 7250

T: +61 3 6331 5545

F: +61 3 6331 4256

SOUTH AUSTRALIA

SA & NT Manufacturing, Sales & Warehouse

505 Grand Junction Road

Wingfield SA 5013

T: +61 8 8417 6222

E: salessa@brenclosures.com.au

NORTHERN TERRITORY Distribution

Cnr Hidden Valley & Beaton Roads

Berrimah NT 0828

T: +61 8 8947 0870

F: +61 8 8947 0764

WESTERN AUSTRALIA

WA Sales Office & Warehouse

6 Montgomery Way

Malaga WA 6090

T: +61 8 6310 4777

E: saleswa@brenclosures.com.au

NEW ZEALAND

Sales

B&R Enclosures Limited

T: 0800 Enclosures (0800 362 567)

E: sales@brenclosures.co.nz

brenclosures.co.nz

AUCKLAND Distribution

Unit 6/103 Cryers Road

East Tamaki Auckland NZ 2013

T: +64 9 265 2097

F: +64 9 265 2437

E: sales@brenclosures.co.nz

CHRISTCHURCH Distribution

17 Washbournes Road

Wigram Christchurch NZ 8042

T: +64 3 348 0659

F: +64 3 348 4043

E: sales@brenclosures.co.nz

CHINA

Sales

B&R Enclosures (Suzhou) Co. Ltd

E: sales@brenclosures.com.cn

brenclosures.com.cn

SUZHOU

Suzhou Sales Office & Manufacturing

Building 45 Chuangtou Industrial Zone

SIP, Suzhou 215122

PEOPLE'S REPUBLIC OF CHINA

T: +86 512 8718 2139

F: +86 512 8718 2140

E: sales@brenclosures.com.cn

SOUTH EAST ASIA

Sales

B&R Enclosures SDN BHD

E: sales@brenclosures.com.au

brenclosures.com.au

MALAYSIA

Malaysia Sales Office & Manufacturing

No.38-1, Puchong Gateway Square,

Jalan Suria Puchong 4,

Pusat Perniagaan Suria Puchong

47110, Puchong, Selangor, Malaysia

T: +603 8958 3923 or +603 8959 3923

F: +603 8958 3223

E: sales@brenclosures.com.au

MIDDLE EAST

Sales

B&R Gulf

E: sales@brgulf.com.sa

brenclosures.com.sa

DAMMAM

Dammam Sales Office & Manufacturing

Factory No. 119, Modon Buildings

King Salman Road, Industrial Area 3

Dammam, Kingdom of Saudi Arabia

T +96 638 128 691 or +96 650 349 6592

E: sales@brgulf.com.sa