



INDUSTRIAL

HAZARDOUS
AREAS

DATA ICT

RESIDENTIAL
COMMERCIAL



B&R Enclosures
HEDLAND PH

brenclosures.com.au

Hedland PH

Mining and Industrial Enclosures



- Typically used for local control stations, mini-control consoles and motor isolators in conveyor runs.
- The sloped face creates an ergonomic interface when fitted with pushbuttons and control equipment.
- 15° sloping roof and 20mm overhang to prevent build up of solids.
- Conformity, Approvals:
Lloyds Register #06/10007 (E2)
- Manufactured from 1.5mm thick 316 stainless steel
- N4 surface finish.

Comes standard with:

- 2mm steel mounting pan powdercoated white
- 6mm brass gland plate
- Top and bottom mounting flanges
- Stainless steel lock with 7mm square stainless steel insert (NI020/S)
- Door stay and document holder
- External earthing stud
- Earth strap kit



ORDERING GUIDE

Dimensions (mm)

Part Number	External			Total Height (D)	Internal Useable Depth (E)*	Mounting Pan		Gland Opening		Mounting Centres		Weight (kg)
	Height (A)	Width (B)	Depth (C)			Height (F)	Width (G)	Width (H)	Depth (I)	Height (J)	Width (K)	
PH040427/S	400	400	270	603	230	320	340	180	300	563	300	23.0
PH060627/S	600	600	270	803	230	520	540	180	500	763	500	38.0
PH100827/S	1000	800	270	1203	230	915	740	180	700	1163	700	85.0
PH120827/S	1200	800	270	1403	230	1120	740	180	700	1363	700	95.0
PH160827/S	1600	800	270	1803	230	1520	740	180	700	1763	700	105.0

* Mounting pan to inside of door



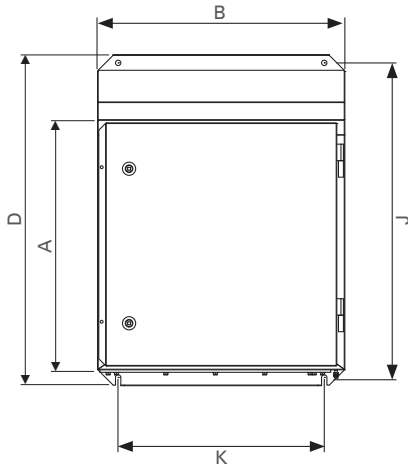
See **Page 4** for a range of lock options available for the Hedland PH range.

ACCESSORIES

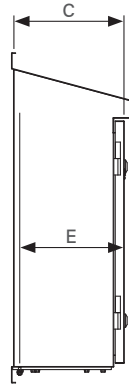
Product	Description	Part Number	Dimensions (mm)			PH040427/S	PH060627/S	PH100827/S	PH120827/S	PH160827/S
			Height	Width	Thickness					
External vent kit	316 stainless steel	IPVK/S	130	130	-	•	•	•	•	•
		IPVK16/S	260	260	-	^	^	^	^	^

^ Fits door only

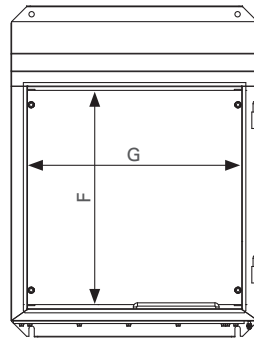
TECHNICAL DRAWINGS



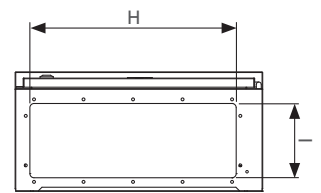
Front View



Side View



Front View
(Door Removed)



Bottom View

Locks

Locks to suit special purpose enclosures

Standard Locks



Enclosure	SI	SS
Universal DD ≤1600mm	DD020 – chromed steel with 7mm square steel insert	DD020/PS – black powdercoated lock with 7mm square stainless steel insert
Universal DD +1600mm	DD050 – lockable L handle keyed 92268	DD050 – lockable L handle keyed 92268
Incline SR	–	NI020/S – stainless steel lock with 7mm square stainless steel insert
Hedland PH	–	NI020/S – stainless steel lock with 7mm square stainless steel insert
Finucane FI	–	NI020/S – stainless steel lock with 7mm square stainless steel insert
Bowen Series	–	NI028S/S – stainless steel lock with 8mm square slotted stainless steel insert
Pilbara SP	SP/LCK – chromed steel padlockable swing handle with LockSock®	SP/LCK/S – stainless steel padlockable swing handle with LockSock®
Lambert LB	–	SP/LCK/S – stainless steel padlockable swing handle with LockSock®
Miner ME	NI020 – chromed steel with 7mm square steel insert	–
Universal PB	NI020 – chromed steel with 7mm square steel insert	NI020/PS – black powdercoated lock with 7mm square stainless steel insert

Lock Options for Special Purpose Enclosures

There are a number of lock options available that are suitable for use on special purpose enclosures. Contact your local sales representative to discuss your requirements.

Product	Description	Part Number	Standard Lock/Insert	Alternative insert	Keys		
					Lockable handles	Plastic, 3-way	Aluminium, 4-way
Turnbuckle	chromed steel	NI020	7mm square – steel	See page 5		SKU	SKZ
		DD020	7mm square – steel	See page 5		SKU	SKZ
	powdercoated	NI020/PS	7mm square – stainless steel	See page 5		SKU	SKZ
		DD020/PS	7mm square – stainless steel	See page 5		SKU	SKZ
	stainless steel	NI020/S	7mm square – stainless steel	See page 5		SKU	SKZ
		NI028S/S	8mm square slotted – stainless steel	See page 5			
Wing knob	lockable	NI030	Key code 92268			SK3	
		DD030	Key code 92268			SK3	
	non-lockable	NI111	–				
		DD111	–				
T-handle	lockable	NI040	Key code 92268			SK3	
		DD040	Key code 92268			SK3	
L-handle	lockable	NI050	Key code 92268			SK3	
		DD050	Key code 92268			SK3	
	padlockable – steel	NI052	–				
		DD052	–				
	padlockable – stainless steel	NI052/S	–				
		DD052/S	–				
Swing handle	padlockable – steel	SP/LCK	–				
	padlockable – stainless steel	SP/LCK/S	–				
LockSock®	plastic	SP/LCK/DC	To suit SP/LCK				
Dust cap	plastic	NI020/DC	To suit NI020 lock				

Locks

Locks to suit special purpose enclosures



Lock Inserts for Locks

The NI020 locks are available with an option lock insert for use on all special purpose enclosures. Contact your local sales engineer to discuss your requirements.

To suit lock style	Description	To suit lock	Standard Insert	3mm double bit pin		8mm square		8mm square slotted	8mm triangle	
				Steel	Stainless Steel	Steel	Stainless Steel	Stainless Steel	Steel	Stainless Steel
Turnbuckle	chromed steel	NI020 or DD020	7mm square – steel	LKINS3P		LKINS8S		LKINS8SS/S		LKIN8T
	powdercoated with SS insert	NI020/PS or DD020/PS	7mm square – stainless steel		LKINS3P/S		LKINS8S/S	LKINS8SS/S		LKINS8T/S
	stainless steel	NI020/S or DD020/PS	7mm square – stainless steel		LKINS3P/S		LKINS8S/S	LKINS8SS/S		LKINS8T/S
Key required – aluminium			SKZ	SKZ	SKZ	SK8	SK8	SK8	SKZ	SKZ
Key required – plastic			SKU	SKU	SKU				SKU	SKU

AUSTRALIA

Sales

T: 1300 Enclosures (1300 362 567)

F: 1300 796 599

E: sales@brenclosures.com.au

brenclosures.com.au

QUEENSLAND

Brisbane Manufacturing, Sales & Warehouse

51 Stradbroke Street

Heathwood QLD 4110

(PO Box 1151)

Browns Plains BC QLD 4118

T: +61 7 3714 1111

E: salesqld@brenclosures.com.au

NORTH QUEENSLAND

Townsville Sales & Warehouse

Unit 4 / 780 Ingham Road

Mount Louisa QLD 4814

(PO Box 7615)

Garbutt QLD 4814

T: +61 7 4727 1900

E: salestvl@brenclosures.com.au

NEW SOUTH WALES

NSW & ACT Sales & Warehouse

Unit 12/100 Belmore Road North

(PO Box 192)

Riverwood NSW 2210

T: +61 2 9915 9555

E: salesnsw@brenclosures.com.au

NEWCASTLE Distribution

109-111 Broadmeadow Road

Broadmeadow NSW 2292

T: +61 2 4961 4433

F: +61 2 4961 2498

VICTORIA

VIC & TAS Sales & Warehouse

50-52 Sunmore Close

Heatherton VIC 3202

T: +61 3 9552 0552

E: salesvic@brenclosures.com.au

TASMANIA Distribution

W P Martin Pty Ltd

85 Elizabeth Street

Launceston TAS 7250

T: +61 3 6331 5545

F: +61 3 6331 4256

SOUTH AUSTRALIA

SA & NT Manufacturing, Sales & Warehouse

505 Grand Junction Road

Wingfield SA 5013

T: +61 8 8417 6222

E: salessa@brenclosures.com.au

NORTHERN TERRITORY Distribution

Cnr Hidden Valley & Beaton Roads

Berrimah NT 0828

T: +61 8 8947 0870

F: +61 8 8947 0764

WESTERN AUSTRALIA

WA Sales Office & Warehouse

6 Montgomery Way

Malaga WA 6090

T: +61 8 6310 4777

E: saleswa@brenclosures.com.au

NEW ZEALAND

Sales

B&R Enclosures Limited

T: 0800 Enclosures (0800 362 567)

E: sales@brenclosures.co.nz

brenclosures.co.nz

AUCKLAND Distribution

Unit 6/103 Cryers Road

East Tamaki Auckland NZ 2013

T: +64 9 265 2097

F: +64 9 265 2437

E: sales@brenclosures.co.nz

CHRISTCHURCH Distribution

17 Washbournes Road

Wigram Christchurch NZ 8042

T: +64 3 348 0659

F: +64 3 348 4043

E: sales@brenclosures.co.nz

CHINA

Sales

B&R Enclosures (Suzhou) Co. Ltd

E: sales@brenclosures.com.cn

brenclosures.com.cn

SUZHOU

Suzhou Sales Office & Manufacturing

Building 45 Chuangtou Industrial Zone

SIP, Suzhou 215122

PEOPLE'S REPUBLIC OF CHINA

T: +86 512 8718 2139

F: +86 512 8718 2140

E: sales@brenclosures.com.cn

SOUTH EAST ASIA

Sales

B&R Enclosures SDN BHD

E: sales@brenclosures.com.au

brenclosures.com.au

MALAYSIA

Malaysia Sales Office & Manufacturing

No.38-1, Puchong Gateway Square,

Jalan Suria Puchong 4,

Pusat Perniagaan Suria Puchong

47110, Puchong, Selangor, Malaysia

T: +603 8958 3923 or +603 8959 3923

F: +603 8958 3223

E: sales@brenclosures.com.au

MIDDLE EAST

Sales

B&R Gulf

E: sales@brgulf.com.sa

brenclosures.com.sa

DAMMAM

Dammam Sales Office & Manufacturing

Factory No. 119, Modon Buildings

King Salman Road, Industrial Area 3

Dammam, Kingdom of Saudi Arabia

T +96 638 128 691 or +96 650 349 6592

E: sales@brgulf.com.sa