



General Purpose Enclosures



Polynova PC Modular Enclosure & Distribution System

Index

[Dimension Sheet](#)

[Catalogue Information](#)

[Leaflet](#)

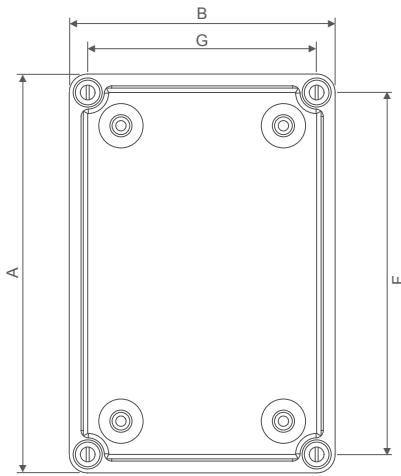
Web Links

[Polynova PC Information Page](#)

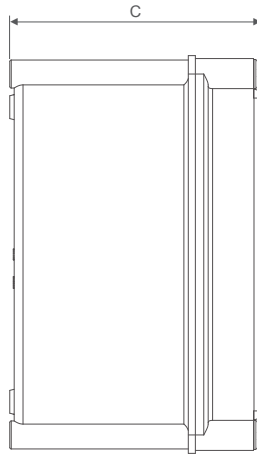
[Ask a question / Send us an enquiry](#)

[Information about B&R](#)

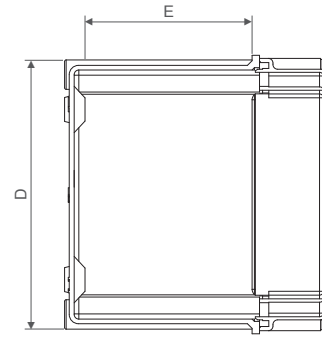
[Local Sales Team Phone Numbers](#)



Front View



Side View



Bottom View

Dimensions (mm)

Catalogue No.		External				Internal	Mounting Centres	
Opaque	Transparent	A	B	C	D	E	F	G
PC131313	PC131313T	135	135	130	107	95	115	115
PC181313	PC181313T	180	135	130	107	95	155	115
PC271313	PC271313T	270	135	130	107	95	245	115
PC181813	PC181813T	180	180	130	107	95	155	155
PC271817	PC271817T	270	180	170	125	135	245	155
PC361817	PC361817T	360	180	170	125	135	335	155
PC272717	PC272717T	270	270	170	125	135	245	245
PC362717	PC362717T	360	270	170	125	135	335	245
PC542717	PC542717T	540	270	170	125	135	515	245
PC363617	PC363617T	360	360	170	125	135	335	335
PC543617	PC543617T	540	360	170	125	135	515	335
PC545417	PC545417T	540	540	170	125	135	515	515
PC362720	PC362720T	360	270	205	130	170	335	245
PC542720	PC542720T	540	270	205	130	170	515	245
PC363620	PC363620T	360	360	205	130	170	335	335
PC543620	PC543620T	540	360	205	130	170	515	335
PC723620	PC723620T	720	360	205	130	170	690	335
PC545420	PC545420T	540	540	205	130	170	515	515
PC725420	PC725420T	720	540	205	130	170	690	515



Polynova PC

Enclosure & Distribution System – IP66

brenclosures.com.au/pc.htm



Features

- Materials are grade V-1, self extinguishing non-dripping, and conform to IEC695-2-1
- Easy mounting with no compromise to the IP rating
- Provision for an authority seal
- UV Stabilised
- Approvals
CE marked
- Materials
Opaque parts – GRP/polyamide
Transparent parts – polycarbonate
- Surface finish – natural RAL7035
- Protection rating – IP66



The Polynova PC is a range of non-metallic enclosures that are depth adjustable by using a spacer section. It is available in 19 different sizes and in two different configurations, with the choice of an opaque or transparent cover.

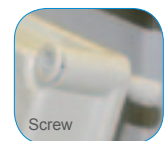
Inclusions

- Insulated mounting pan

Selection Guide

Catalogue No.		Dimensions (mm)					
Opaque	Transparent	Height	Width	Depth	Cover Depth	Usable Depth	Weight (kg)
PC131313*	PC131313T*	135	135	130	23	95	0.6
PC181313*	PC181313T*	180	135	130	23	95	0.8
PC271313*	PC271313T*	270	135	130	23	95	1.1
PC181813*	PC181813T*	180	180	130	23	95	1.0
PC271817	PC271817T	270	180	170	45	135	1.7
PC361817	PC361817T	360	180	170	45	135	2.2
PC272717	PC272717T	270	270	170	45	135	2.3
PC362717	PC362717T	360	270	170	45	135	2.9
PC542717	PC542717T	540	270	170	45	135	4.1
PC363617	PC363617T	360	360	170	45	135	3.6
PC543617	PC543617T	540	360	170	45	135	5.7
PC545417	PC545417T	540	540	170	45	135	8.1
PC362720	PC362720T	360	270	205	75	170	3.2
PC542720	PC542720T	540	270	205	75	170	5.0
PC363620	PC363620T	360	360	205	75	170	3.9
PC543620	PC543620T	540	360	205	75	170	6.1
PC723620	PC723620T	720	360	205	75	170	7.9
PC545420	PC545420T	540	540	205	75	170	8.6
PC725420	PC725420T	720	540	205	75	170	11.1

* Opaque parts material is polyamide



Accessories

Product	Description	Catalogue No.	PC131313(T)	PC181313(T)	PC271313(T)	PC181813(T)	PC271817(T)	PC361817(T)	PC272717(T)	PC362717(T)	PC542717(T)	PC363617(T)	PC543617(T)	PC545417(T)	PC362720(T)	PC542720(T)	PC363620(T)	PC543620(T)	PC723620(T)	PC545420(T)	PC725420(T)
Mounting pan – insulated	142 x 97 x 3mm	PCBB1813		•																	
	142 x 142 x 3mm	PCBB1818				•															
	234 x 98 x 3mm	PCBB2713			•																
	220 x 130 x 3mm	PCBB2718					•														
	220 x 220 x 3mm	PCBB2727							•												
	220 x 310 x 3mm	PCBB2736								•								•			
	310 x 310 x 3mm	PCBB3636										•						•			
	490 x 220 x 3mm	PCBB5427									•					•					
	490 x 310 x 3mm	PCBB5436											•					•			
	490 x 490 x 3mm	PCBB5454												•						•	
	670 x 310 x 3mm	PCBB7236								•						•				•	
	670 x 490 x 3mm	PCBB7254																			•
Viewing window – hinged	4 module 94 x 77 x 16mm	PCHW4	•	•	•	•	•	•	•	•	•	•	•	•	•	•	•	•	•	•	•
	4 module (deep lid) 94 x 77 x 25mm	PCHW4H	•	•	•	•	•	•	•	•	•	•	•	•	•	•	•	•	•	•	•
	6 module 130 x 77 x 16mm	PCHW6	•	•	•	•	•	•	•	•	•	•	•	•	•	•	•	•	•	•	•
	6 module (deep lid) 130 x 77 x 25mm	PCHW6H	•	•	•	•	•	•	•	•	•	•	•	•	•	•	•	•	•	•	•
	8 module 163 x 77 x 16mm	PCHW8		•	•	•	•	•	•	•	•	•	•	•	•	•	•	•	•	•	•
	8 module (deep lid) 163 x 77 x 25mm	PCHW8H		•	•	•	•	•	•	•	•	•	•	•	•	•	•	•	•	•	•
	10 module 200 x 77 x 16mm	PCHW10			•		•	•	•	•	•	•	•	•	•	•	•	•	•	•	•
	10 module (deep lid) 200 x 77 x 25mm	PCHW10H			•		•	•	•	•	•	•	•	•	•	•	•	•	•	•	•
	12 module (deep lid) 233 x 77 x 25mm	PCHW12H			•		•	•	•	•	•	•	•	•	•	•	•	•	•	•	•
	24 module 233 x 196 x 13mm	PCHW24							•	•	•	•	•	•	•	•	•	•	•	•	•
36 module 235 x 247 x 13mm	PCHW36							•	•	•	•	•	•	•	•	•	•	•	•	•	
Depth spacer	62.5mm	PCFD5427									•				•						
	62.5mm	PCFD5436											•					•			
	125mm	PCFD5454												•						•	

Introduction

General Purpose

Special Purpose

Multiple Applications

Hazardous Areas

Data & Communications

Ancillary Items

Technical Drawings

Technical Information

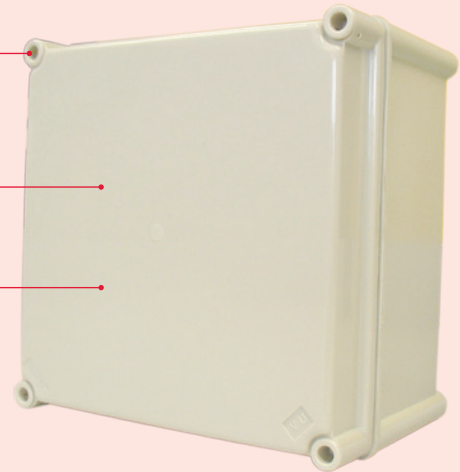
Enclosure & Distribution System



Thermoplastic
screws

Weather and
chemical resistant

Insulated
mounting pan



IP66

OVERVIEW

The Polynova PC is a cost effective IP66, non-metallic enclosure with a wide range of accessories.

Strength is assured with excellent resistance to mechanical impact and aggressive chemicals, yet the Polynova PC is still easy to drill, punch, saw or file. It is easy to install and maintain with raised mounting points to prevent build up of material behind the enclosure body.

MATERIALS

Opaque parts: Glass reinforced polyester / polyamide
Transparent parts: Polycarbonate
Surface finish: Natural RAL7035

APPLICATION

Typical applications include housing terminations and electrical components for low voltage control systems and distribution.

FEATURES

- IP66 protection rating
- Insulated mounting pan
- Thermoplastic screws
- Halogen free
- Weather and chemical resistant
- Conforms to the IEC695-2-1
- Transparent lid options

Catalogue No.		Dimensions (mm)						Weight (kg)
Opaque	Transparent	Height	Width	Depth	Cover Depth	Usable Depth		
PC131313*	PC131313T*	135	135	130	23	95	0.6	
PC181313*	PC181313T*	180	135	130	23	95	0.8	
PC271313*	PC271313T*	270	135	130	23	95	1.1	
PC181813*	PC181813T*	180	180	130	23	95	1.0	
PC271817	PC271817T	270	180	170	45	135	1.7	
PC361817	PC361817T	360	180	170	45	135	2.2	
PC272717	PC272717T	270	270	170	45	135	2.3	
PC362717	PC362717T	360	270	170	45	135	2.9	
PC542717	PC542717T	540	270	170	45	135	4.1	
PC363617	PC363617T	360	360	170	45	135	3.6	
PC543617	PC543617T	540	360	170	45	135	5.7	
PC545417	PC545417T	540	540	170	45	135	8.1	
PC362720	PC362720T	360	270	205	75	170	3.2	
PC542720	PC542720T	540	270	205	75	170	5.0	
PC363620	PC363620T	360	360	205	75	170	3.9	
PC543620	PC543620T	540	360	205	75	170	6.1	
PC723620	PC723620T	720	360	205	75	170	7.9	
PC545420	PC545420T	540	540	205	75	170	8.6	
PC725420	PC725420T	720	540	205	75	170	11.1	

* Opaque parts material is polyamide

Accessories

Product	Description	Catalogue No.
Mounting pan – insulated	142x97x3mm	PCBB1813
	142x142x3mm	PCBB1818
	234x98x3mm	PCBB2713
	220x130x3mm	PCBB2718
	220x220x3mm	PCBB2727
	220x310x3mm	PCBB2736
	310x310x3mm	PCBB3636
	490x220x3mm	PCBB5427
	490x310x3mm	PCBB5436
	490x490x3mm	PCBB5454
	670x310x3mm	PCBB7236
	670x490x3mm	PCBB7254
Viewing window – hinged	4 module 94x77x16mm	PCHW4
	4 module (deep lid) 94x77x25mm	PCHW4H
	6 module 130x77x16mm	PCHW6
	6 module (deep lid) 130x77x25mm	PCHW6H
	8 module 163x77x16mm	PCHW8
	8 module (deep lid) 163x77x25mm	PCHW8H
	10 module 200x77x16mm	PCHW10
	10 module (deep lid) 200x77x25mm	PCHW10H
	12 module (deep lid) 233x77x25mm	PCHW12H
	24 module 233x196x13mm	PCHW24
36 module 235x247x13mm	PCHW36	
Depth spacer	62.5mm	PCFD5427
	62.5mm	PCFD5436
	125mm	PCFD5454

INCLUSIONS

- Insulated mounting pan



Other brands in the B&R Group:



Queensland P: +61 7 3714 1000
Townsville P: +61 7 4775 6255
Sydney P: +61 2 8867 7688
Newcastle P: +61 2 4961 4433
Victoria P: +61 3 8588 8400

South Australia P: +61 8 8417 6200
Western Australia P: +61 8 9248 9744
Tasmania P: +61 3 6331 5545
Northern Territory P: +61 8 8947 0870

Email sales@brenclosures.com.au
 Web www.brenclosures.com.au