



General Purpose Enclosures



Universal NI – 316 Stainless Steel General Purpose Enclosure

Index

[Dimension Sheet](#)

[Catalogue Information](#)

[Leaflet](#)

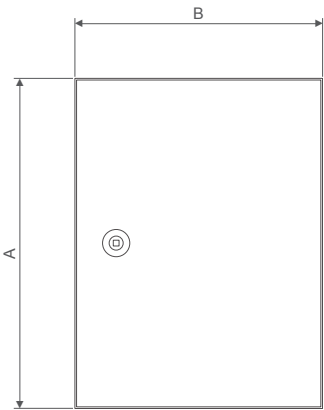
Web Links

[Universal NI – 316 Stainless Steel Information Page](#)

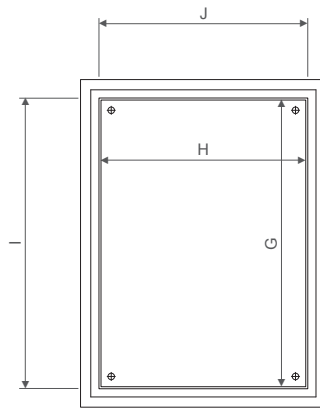
[Ask a question / Send us an enquiry](#)

[Information about B&R](#)

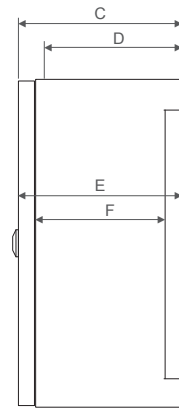
[Local Sales Team Phone Numbers](#)



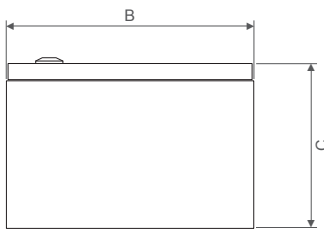
Front View



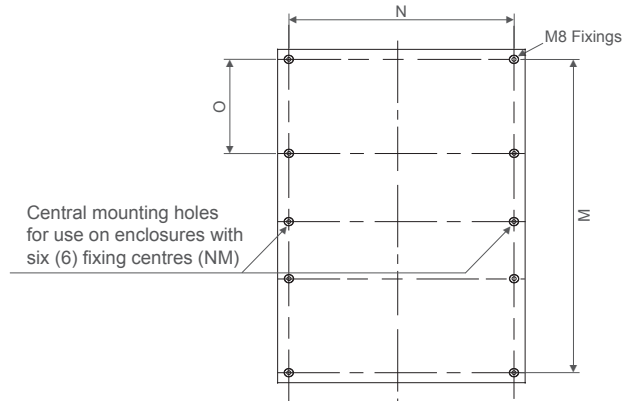
Front View With Internals



Side View



Bottom View



Rear View

Dimensions (mm)

Catalogue No.	External				Internal Depth		Mounting Pan		Opening Size		Fixing Centres			No of Fixing Points	No of Locks
	A	B	C	D	E	F	G	H	I	J	K	L	M		
NI03021/S	300	200	150	129	145	108	250	150	255	155	225	125	—	4	1
NI03031/S	300	300	150	129	145	108	250	250	255	255	225	225	—	4	1
NI03041/S	300	400	150	129	145	108	250	350	255	355	225	325	—	4	1
NI04031/S	400	300	150	129	145	108	350	250	355	255	325	225	—	4	1
NI03042/S	300	400	200	179	195	158	250	350	255	355	225	325	—	4	1
NI04032/S	400	300	200	179	195	158	350	250	355	255	325	225	—	4	1
NI04042/S	400	400	200	179	195	158	350	350	355	355	325	325	—	4	1
NI05052/S	500	500	200	179	195	158	450	450	455	455	425	425	—	4	1
NI06042/S	600	400	200	179	195	158	550	350	555	355	525	325	—	4	1
NI06062/S	600	600	200	179	195	158	550	550	555	555	525	525	—	4	1
NI08062/S	800	600	200	179	195	158	750	550	755	555	725	525	—	6	2
NI10082/S	1000	800	200	179	195	158	950	750	955	755	925	725	—	6	2
NI06043/S	600	400	300	279	295	258	550	350	555	355	525	325	—	4	1
NI06063/S	600	600	300	279	295	258	550	550	555	555	525	525	—	4	1
NI08063/S	800	600	300	279	295	258	750	550	755	555	725	525	—	6	2
NI08083/S	800	800	300	279	295	258	750	750	755	755	725	725	—	6	2
NI10063/S	1000	600	300	279	295	258	950	550	955	555	925	525	—	6	2
NI10083/S	1000	800	300	279	295	258	950	750	955	755	925	725	—	6	2
NI12083/S	1200	800	300	279	295	258	1150	750	1155	755	1125	725	337.5	6	2



Universal NI – 316 Stainless Steel General Purpose Enclosures – IP66

brenclosures.com.au/hiss.htm



Features

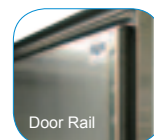
- Threaded sockets on the rear of the enclosure to allow mounting feet attachment without compromising IP rating
- 120° door opening for ease of access to internal systems
- Wall mounting
- Fully welded construction
- Approvals
 - CE marked
 - Lloyds
- Materials
 - Body – 316 stainless steel
 - Body thickness – 1.2/1.5mm
 - Gasket – FIP polyurethane
- Surface finish – N4
- Protection rating – IP66



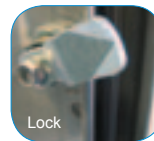
The Universal NI/S is a range of 316 stainless steel, general purpose enclosures built for harsh and aggressive environments. Ease of access is assured by the reversible door, which opens to a full 120 degrees.

Inclusions

- 2mm steel mounting pan powdercoated white
- 7mm square turnbuckle lock (NI020/PS)
- Door rails
- Earth strap kit



Door Rail



Lock



Mounting Pan

Selection Guide

Catalogue No.	Dimensions (mm)					Mounting Pan (mm)		Door Rails		Fixing points**	No of locks	Weight (kg)
	Height	Width	Depth	Usable Depth*	Thk.	Height	Width	Vertical	Horizontal			
NI03021/S	300	200	150	125	1.2	250	150			4	1	3.9
NI03031/S	300	300	150	125	1.2	250	250			4	1	5.3
NI04031/S	400	300	150	125	1.2	350	250			4	1	6.8
NI03041/S	300	400	150	125	1.2	250	350			4	1	6.7
NI04032/S*	400	300	200	175	1.5	350	250	•		4	1	9.0
NI03042/S*	300	400	200	175	1.5	250	350	•		4	1	8.9
NI04042/S*	400	400	200	175	1.5	350	350	•		4	1	11.2
NI05042/S*	500	400	200	175	1.5	450	350	•		4	1	14.0
NI06042/S*	600	400	200	175	1.5	550	350	•		4	1	15.9
NI05052/S*	500	500	200	175	1.5	450	450	•		4	1	16.2
NI06062/S*	600	600	200	175	1.5	550	550	•		4	1	22.1
NI08062/S*	800	600	200	175	1.5	750	550	•		6	2	28.5
NI10082/S*	1000	800	200	175	1.5	950	750	•		6	2	44.6
NI06043/S*	600	400	300	275	1.5	550	350	•		4	1	18.5
NI06063/S*	600	600	300	275	1.5	550	550	•		4	1	25.2
NI08063/S*	800	600	300	275	1.5	750	550	•		6	2	32.2
NI10063/S*	1000	600	300	275	1.5	950	550	•		6	2	39.2
NI08083/S#	800	800	300	275	1.5	750	750	•	•	6	2	40.6
NI10083/S#	1000	800	300	275	1.5	950	750	•	•	6	2	49.4
NI12083/S#	1200	800	300	275	1.5	1150	750	•	•	8	2	58.1

* Mounting pan to inside of door

** Suits M8 fixing

▪ Available with vertical door rail

Available with horizontal or vertical door rail

Accessories

Product	Description	Catalogue No.	NI03021/S	NI03031/S	NI03041/S	NI04031/S	NI04032/S	NI04042/S	NI05042/S	NI05052/S	NI06042/S	NI06043/S	NI06062/S	NI06063/S	NI08062/S	NI08063/S	NI08083/S	NI10063/S	NI10082/S	NI10083/S	NI12083/S	
			Rainhood	30mm high	NIRH021/S	•																
30mm high	NIRH031/S			•		•																
30mm high	NIRH032/S						•															
30mm high	NIRH041/S				•																	
30mm high	NIRH042/S							•	•		•											
30mm high	NIRH043/S											•										
30mm high	NIRH062/S												•		•							
30mm high	NIRH063/S													•		•		•				
30mm high	NIRH082/S																		•			
30mm high	NIRH083/S																•			•	•	•
Vent kit – external	130 x 130mm	IPVK/S	•	•	•	•	•	•	•	•	•	•	•	•	•	•	•	•	•	•	•	•
Wall mounting brackets	316 stainless steel (4)	MEB/S	•	•	•	•	•	•	•	•	•	•	•	•	•	•	•	•	•	•	•	•
	75 x 200mm	MF2/S	•																			
	75 x 300mm	MF3/S		•		•	•															
Mounting flange kit – 316 stainless steel	75 x 400mm	MF4/S			•		•	•			•	•										
	75 x 500mm	MF5/S								•												
	75 x 600mm	MF6/S											•	•	•	•		•				
	75 x 800mm	MF8/S															•		•	•	•	•

* Fit door only

General Purpose Enclosures – 316 Stainless Steel



Robust 7mm square powdercoated lock with stainless steel insert



Specially designed gutter

Reversible door opening to 120°

IP66

OVERVIEW

The Universal NI is a general purpose enclosure designed for harsh and aggressive environments.

Manufactured from 316 stainless steel for the ultimate corrosion resistance. Ease of access is assured by the reversible door, which opens to a full 120 degrees.

MATERIALS

Body: 316 stainless steel
 Body Thickness: 1.2 / 1.5mm
 Gasket: FIP Polyurethane
 Surface Finish: N4

APPLICATION

Typically used in automation, junction terminations and process control applications. Suitable for applications where an IP66 protection rating is required and the area is prone to frequent hosing or wet and dusty conditions.

FEATURES

- IP66 protection rating
- Flexible equipment mounting options
- Specially designed gutter system
- Foamed in place polyurethane gasket
- Robust fully welded construction
- Easy access with reversible door opening to 120°
- Corrosion resistant 316 stainless steel with N4 surface finish to reduce 'tea staining'

Catalogue No.	Dimensions (mm)					Mounting Pan (mm)		Door Rails		Fixing points**	No of locks	Weight (kg)
	Height	Width	Depth	Usable Depth*	Thk.	Height	Width	Vertical	Horizontal			
NI03021/S	300	200	150	125	1.2	250	150			4	1	3.9
NI03031/S	300	300	150	125	1.2	250	250			4	1	5.3
NI04031/S	400	300	150	125	1.2	350	250			4	1	6.8
NI03041/S	300	400	150	125	1.2	250	350			4	1	6.7
NI04032/S*	400	300	200	175	1.5	350	250	•		4	1	9.0
NI03042/S*	300	400	200	175	1.5	250	350	•		4	1	8.9
NI04042/S*	400	400	200	175	1.5	350	350	•		4	1	11.2
NI05042/S*	500	400	200	175	1.5	450	350	•		4	1	14.0
NI06042/S*	600	400	200	175	1.5	550	350	•		4	1	15.9
NI05052/S*	500	500	200	175	1.5	450	450	•		4	1	16.2
NI06062/S*	600	600	200	175	1.5	550	550	•		4	1	22.1
NI08062/S*	800	600	200	175	1.5	750	550	•		6	2	28.5
NI10082/S*	1000	800	200	175	1.5	950	750	•		6	2	44.6
NI06043/S*	600	400	300	275	1.5	550	350	•		4	1	18.5
NI06063/S*	600	600	300	275	1.5	550	550	•		4	1	25.2
NI08063/S*	800	600	300	275	1.5	750	550	•		6	2	32.2
NI10063/S*	1000	600	300	275	1.5	950	550	•		6	2	39.2
NI08083/S#	800	800	300	275	1.5	750	750	•	•	6	2	40.6
NI10083/S#	1000	800	300	275	1.5	950	750	•	•	6	2	49.4
NI12083/S#	1200	800	300	275	1.5	1150	750	•	•	8	2	58.1

* Mounting pan to inside of door

** Suits M8 fixing

* Available with vertical door rail

Available with horizontal or vertical door rail

Accessories

Product	Description	Catalogue No.
Rainhood	30mm high	NIRH021/S
	30mm high	NIRH031/S
	30mm high	NIRH032/S
	30mm high	NIRH041/S
	30mm high	NIRH042/S
	30mm high	NIRH043/S
	30mm high	NIRH062/S
	30mm high	NIRH063/S
	30mm high	NIRH082/S
	30mm high	NIRH083/S
Vent kit – external	130 x 130mm	IPVK/S
Wall mounting brackets	316 stainless steel (4)	MEB/S
	75 x 200mm	MF2/S
	75 x 300mm	MF3/S
	75 x 400mm	MF4/S
	75 x 500mm	MF5/S
Mounting flange kit – 316 stainless steel	75 x 600mm	MF6/S
	75 x 800mm	MF8/S

INCLUSIONS

- 2mm steel mounting pan
- Gland plate (200mm deep and above)
- 7mm square turnbuckle lock (NI020)
- Door Rails
- Earth strap kit



Other brands in the B&R Group:



Queensland P: +61 7 3714 1000
Townsville P: +61 7 4775 6255
Sydney P: +61 2 8867 7688
Newcastle P: +61 2 4961 4433
Victoria P: +61 3 8588 8400

South Australia P: +61 8 8417 6200
Western Australia P: +61 8 9248 9744
Tasmania P: +61 3 6331 5545
Northern Territory P: +61 8 8947 0870

Email sales@brenclosures.com.au
 Web www.brenclosures.com.au