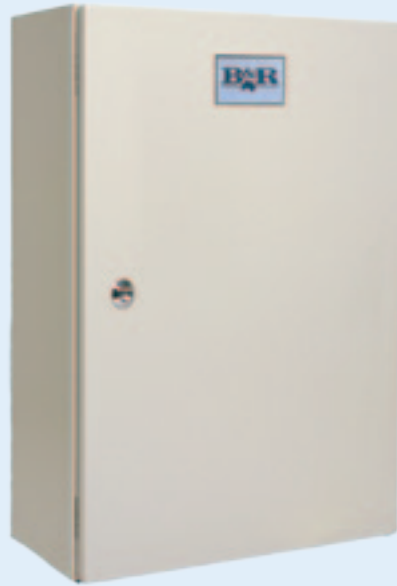




General Purpose Enclosures



Universal NI – Zinc coated steel General Purpose Enclosure

Index

[Dimension Sheet](#)

[Catalogue Information](#)

[Leaflet](#)

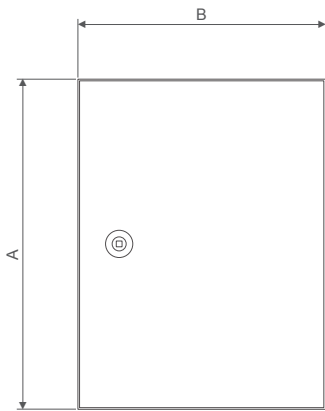
Web Links

[Universal NI – Zinc Coated Steel Information Page](#)

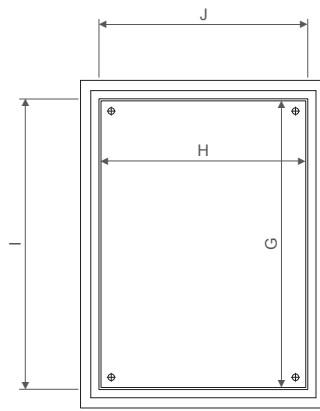
[Ask a question / Send us an enquiry](#)

[Information about B&R](#)

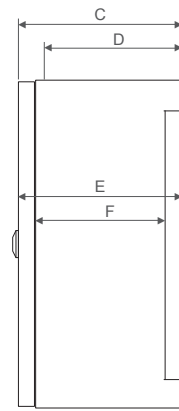
[Local Sales Team Phone Numbers](#)



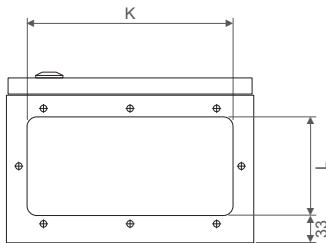
Front View



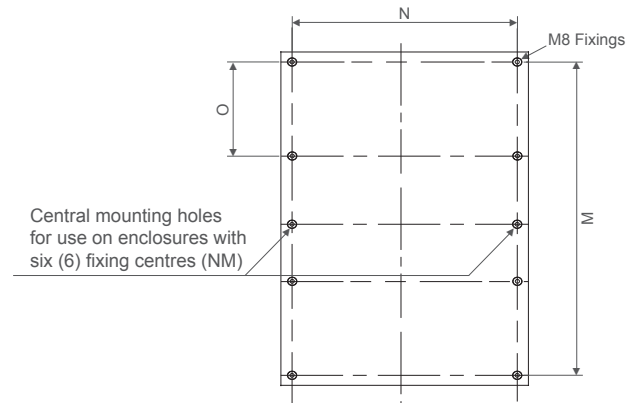
Front View With Internals



Side View



Bottom View



Rear View

Dimensions (mm)

Catalogue No.	External				Internal Depth		Mounting Pan		Opening Size		Gland Plate		Fixing Centres			No of fixing points	No of Locks
	A	B	C	D	E	F	G	H	I	J	K	L	M	N	O		
NI03021	300	200	150	129	145	108	250	150	255	155	—	—	225	125	—	4	1
NI03031	300	300	150	129	145	108	250	250	255	255	—	—	225	225	—	4	1
NI03041	300	400	150	129	145	108	250	350	255	355	—	—	225	325	—	4	1
NI03042	300	400	200	179	195	158	250	350	255	355	250	120	225	325	—	4	1
NI04032	400	300	200	179	195	158	350	250	355	255	250	120	325	225	—	4	1
NI04042	400	400	200	179	195	158	350	350	355	355	250	120	325	325	—	4	1
NI05042	500	400	200	179	195	158	450	350	455	355	250	120	425	325	—	4	1
NI06042	600	400	200	179	195	158	550	350	555	355	250	120	525	325	—	4	1
NI04062	400	600	200	179	195	158	350	550	355	555	440	120	325	525	—	4	1
NI05052	500	500	200	179	195	158	450	450	455	455	440	120	425	425	—	4	1
NI06062	600	600	200	179	195	158	550	550	555	555	440	120	525	525	—	4	1
NI08062	800	600	200	179	195	158	750	550	755	555	440	120	725	525	—	6	2
NI10062	1000	600	200	179	195	158	950	550	955	555	440	120	925	525	—	6	2
NI04043	400	400	300	279	295	258	350	350	355	355	250	120	325	325	—	4	1
NI04063	400	600	300	279	295	258	350	550	355	555	440	120	325	525	—	4	1
NI06043	600	400	300	279	295	258	550	350	555	355	250	120	525	325	—	4	1
NI06063	600	600	300	279	295	258	550	550	555	555	440	120	525	525	—	4	1
NI08063	800	600	300	279	295	258	750	550	755	555	440	120	725	525	—	6	2
NI08083	800	800	300	279	295	258	750	750	755	755	440	120	725	725	—	6	2
NI10063	1000	600	300	279	295	258	950	550	955	555	440	120	925	525	—	6	2
NI10083	1000	800	300	279	295	258	950	750	955	755	440	120	925	725	—	6	2
NI12083	1200	800	300	279	295	258	1150	750	1155	755	440	120	1125	725	338	8	2



Universal NI – Zinc Coated Steel General Purpose Enclosures – IP66

brenclosures.com.au/hizs.htm



Features

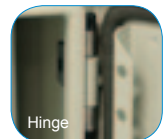
- Threaded sockets on the rear of the enclosure to allow mounting feet attachment without compromising IP rating
- 120° door opening for ease of access to internal systems
- Fully welded construction
- Approvals
 - CE marked
 - Lloyds
- Materials
 - Body – zinc coated steel
 - Body thickness – 1.2/1.6mm
 - Gasket – FIP polyurethane
- Surface finish – powdercoated RAL7032, X-15 orange
- Protection rating – IP66



The Universal NI is a range of general purpose enclosures built for industrial or demanding environments. It includes innovative threaded fittings suitable for installing mounting brackets, which ensure that the IP66 rating is maintained.

Inclusions

- 2mm steel mounting pan powdercoated white
- Gland plate (200mm deep and above)
- 7mm square turnbuckle lock (NI020)
- Door rails
- Earth strap kit



Selection Guide

Catalogue No.		Dimensions (mm)						Mounting Pan (mm)				
Standard	X-15 orange	Height	Width	Depth	Usable Depth*	Thk.	Height	Width	Fixing points**	No of locks	Weight (kg)	
NI03021	NI03021/RO	300	200	150	125	1.2	250	150	4	1	3.9	
NI03031	NI03031/RO	300	300	150	125	1.2	250	250	4	1	5.3	
NI03041	NI03041/RO	300	400	150	125	1.2	250	350	4	1	6.7	
NI04032*	NI04032/RO*	400	300	200	175	1.6	350	250	4	1	7.5	
NI03042	NI03042/RO	300	400	200	175	1.6	250	350	4	1	7.4	
NI04042*	NI04042/RO*	400	400	200	175	1.6	350	350	4	1	11.8	
NI05042*	NI05042/RO*	500	400	200	175	1.6	450	350	4	1	14.3	
NI06042*	NI06042/RO*	600	400	200	175	1.6	550	350	4	1	16.7	
NI05052*	NI05052/RO*	500	500	200	175	1.6	450	450	4	1	17.0	
NI04062*	NI04062/RO*	400	600	200	175	1.6	350	550	4	1	16.4	
NI06062*	NI06062/RO*	600	600	200	175	1.6	550	550	4	1	23.2	
NI08062*	NI08062/RO*	800	600	200	175	1.6	750	550	6	2	29.9	
NI10062*	NI10062/RO*	1000	600	200	175	1.6	950	550	6	2	36.7	
NI04043*	NI04043/RO*	400	400	300	275	1.6	350	350	4	1	14.1	
NI06043*	NI06043/RO*	600	400	300	275	1.6	550	350	4	1	19.5	
NI04063*	NI04063/RO*	400	600	300	275	1.6	350	550	4	1	19.2	
NI06063*	NI06063/RO*	600	600	300	275	1.6	550	550	4	1	26.6	
NI08063*	NI08063/RO*	800	600	300	275	1.6	750	550	6	2	33.9	
NI10063*	NI10063/RO*	1000	600	300	275	1.6	950	550	6	2	41.2	
NI08083#	NI08083/RO#	800	800	300	275	1.6	750	750	6	2	42.7	
NI10083#	NI10083/RO#	1000	800	300	275	1.6	950	750	6	2	51.8	
NI12083#	NI12083/RO#	1200	800	300	275	1.6	1150	750	8	2	61.0	

* Mounting pan to inside of door

** Suits M8 fixing

* Available with vertical door rail

Available with horizontal or vertical door rail

Accessories

Product	Description	Catalogue No.	NI03021	NI03031	NI03041	NI03042	NI04032	NI04042	NI04043	NI04062	NI04063	NI05042	NI05052	NI06042	NI06043	NI06062	NI06063	NI08062	NI08063	NI08083	NI10062	NI10063	NI10083	NI12083
			Rainhood	30mm high	NIRH021	•																		
	30mm high	NIRH031		•																				
	30mm high	NIRH032					•																	
	30mm high	NIRH041			•																			
	30mm high	NIRH042				•		•				•		•										
	30mm high	NIRH043							•						•									
	30mm high	NIRH052										•												
	30mm high	NIRH062								•					•		•				•			
	30mm high	NIRH063								•					•		•					•		
	30mm high	NIRH083																•				•	•	•
Vent kit – external	130 x 130mm	IPVK	•	•	•	•	•	•	•	•	•	•	•	•	•	•	•	•	•	•	•	•	•	•
Wall mounting brackets	316 stainless steel (4)	MEB/S	•	•	•	•	•	•	•	•	•	•	•	•	•	•	•	•	•	•	•	•	•	•
Mounting flange kit – 316 stainless steel	75 x 200mm	MF2/S	•																					
	75 x 300mm	MF3/S		•			•																	
	75 x 400mm	MF4/S			•	•		•	•			•		•	•									
	75 x 600mm	MF6/S								•	•				•	•	•	•			•	•		
	75 x 800mm	MF8/S																	•			•	•	

* Fit door only

General Purpose Enclosures – Zinc Coated Steel

IP66



Robust 7mm square chrome locking



Specially designed gutter

Reversible door opening to 120°

OVERVIEW

The Universal NI is a general purpose enclosure designed to maximise life in service and built for industrial or demanding environments.

They are manufactured from 1.2 / 1.6mm thick zinc coated steel to minimise corrosion. The unique wall mounting feature ensures installations are quick and easy with no need to drill holes in the enclosure body.

MATERIALS

Body: Zinc coated steel
 Body Thickness: 1.2/1.6mm
 Gasket: FIP Polyurethane
 Surface Finish: Powdercoated RAL7032, X-15 orange

APPLICATION

Designed to house equipment such as electrical controls and instrumentation, junction terminations and PLC's.

FEATURES

- IP66 protection rating
- Gland plates supplied on 200mm and 300mm deep enclosures
- Robust 7mm square chrome locking system
- Foamed in place polyurethane gasket
- Specially designed gutter
- Robust fully welded construction
- Easy access with reversible door opening to 120°
- Flexible equipment mounting options
- Corrosion resistant zinc coated steel with powdercoat finish

Catalogue No.		Dimensions (mm)					Mounting Pan (mm)					
Standard	X-15 orange	Height	Width	Depth	Usable Depth*	Thk.	Height	Width	Fixing points**	No of locks	Weight (kg)	
NI03021	NI03021/RO	300	200	150	125	1.2	250	150	4	1	3.9	
NI03031	NI03031/RO	300	300	150	125	1.2	250	250	4	1	5.3	
NI03041	NI03041/RO	300	400	150	125	1.2	250	350	4	1	6.7	
NI04032*	NI04032/RO*	400	300	200	175	1.6	350	250	4	1	7.5	
NI03042	NI03042/RO	300	400	200	175	1.6	250	350	4	1	7.4	
NI04042*	NI04042/RO*	400	400	200	175	1.6	350	350	4	1	11.8	
NI05042*	NI05042/RO*	500	400	200	175	1.6	450	350	4	1	14.3	
NI06042*	NI06042/RO*	600	400	200	175	1.6	550	350	4	1	16.7	
NI05052*	NI05052/RO*	500	500	200	175	1.6	450	450	4	1	17.0	
NI04062*	NI04062/RO*	400	600	200	175	1.6	350	550	4	1	16.4	
NI06062*	NI06062/RO*	600	600	200	175	1.6	550	550	4	1	23.2	
NI08062*	NI08062/RO*	800	600	200	175	1.6	750	550	6	2	29.9	
NI10062*	NI10062/RO*	1000	600	200	175	1.6	950	550	6	2	36.7	
NI04043*	NI04043/RO*	400	400	300	275	1.6	350	350	4	1	14.1	
NI06043*	NI06043/RO*	600	400	300	275	1.6	550	350	4	1	19.5	
NI04063*	NI04063/RO*	400	600	300	275	1.6	350	550	4	1	19.2	
NI06063*	NI06063/RO*	600	600	300	275	1.6	550	550	4	1	26.6	
NI08063*	NI08063/RO*	800	600	300	275	1.6	750	550	6	2	33.9	
NI10063*	NI10063/RO*	1000	600	300	275	1.6	950	550	6	2	41.2	
NI08083#	NI08083/RO#	800	800	300	275	1.6	750	750	6	2	42.7	
NI10083#	NI10083/RO#	1000	800	300	275	1.6	950	750	6	2	51.8	
NI12083#	NI12083/RO#	1200	800	300	275	1.6	1150	750	8	2	61.0	

* Mounting pan to inside of door

** Suits M8 fixing

* Available with vertical door rail

Available with horizontal or vertical door rail

Accessories

Product	Description	Catalogue No.
Rainhood	30mm high	NIRH021
	30mm high	NIRH031
	30mm high	NIRH032
	30mm high	NIRH041
	30mm high	NIRH042
	30mm high	NIRH043
	30mm high	NIRH052
	30mm high	NIRH062
	30mm high	NIRH063
	30mm high	NIRH083
Vent kit – external	130 x 130mm	IPVK
Wall mounting brackets	316 stainless steel (4)	MEB/S
	75x200mm	MF2/S
	75x300mm	MF3/S
Mounting flange kit – 316 stainless steel	75x400mm	MF4/S
	75x600mm	MF6/S
	75x800mm	MF8/S

INCLUSIONS

- 2mm steel mounting pan
- Gland plate (200mm deep and above)
- 7mm square turnbuckle lock (NI020)
- Door Rails
- Earth strap kit



Other brands in the B&R Group:



Queensland P: +61 7 3714 1000
Townsville P: +61 7 4775 6255
Sydney P: +61 2 8867 7688
Newcastle P: +61 2 4961 4433
Victoria P: +61 3 8588 8400

South Australia P: +61 8 8417 6200
Western Australia P: +61 8 9248 9744
Tasmania P: +61 3 6331 5545
Northern Territory P: +61 8 8947 0870

Email sales@brenclosures.com.au
 Web www.brenclosures.com.au