



- INDUSTRIAL
- HAZARDOUS AREAS
- DATA ICT
- RESIDENTIAL COMMERCIAL

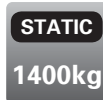


B&R Enclosures
AUSRACK PLUS SERVER

brenclosures.com.au

Ausrack Plus Server

19 inch server cabinets



- Suitable for use in large data room applications that require a robust and fully featured server racking solution with free flowing movement.
- Essential platform for flexible computing solutions.
- Designed with a high load rating and inset corner posts.
- Combines versatility and strength with easy-to-use features.
- Inbuilt 65mm plinth
- Manufactured from:
 - Frame – 1.6mm zinc coated steel
 - Rail – 2.0mm zinc coated
 - Panel – 1.2mm zinc coated steel
- Powdercoated textured matte black.

Comes standard with:

- 4 x RU marked adjustable mounting rails
- Mesh doors (600mm wide cabinets)
- Front & rear split mesh doors (800mm wide cabinets)
- Removable side panels
- Lockable wing knob with 2-point locking (keyed to 92268)



ORDERING GUIDE

| Part Number | RU | Dimensions (mm) | | | Maximum Rail Depth [^] | Weight (kg) |
|-------------|----|-----------------|-----------|-----------|---------------------------------|-------------|
| | | Height (A) | Width (B) | Depth (C) | | |
| AS24U609* | 24 | 1202 | 600 | 900 | 756 | 91.0 |
| AS24U611* | 24 | 1202 | 600 | 1100 | 956 | 97.5 |
| AS40U609# | 40 | 1913 | 600 | 900 | 756 | 123.0 |
| AS40U611# | 40 | 1913 | 600 | 1100 | 956 | 139.5 |
| AS45U609# | 45 | 2135 | 600 | 900 | 756 | 134.0 |
| AS45U611# | 45 | 2135 | 600 | 1100 | 956 | 149.0 |
| AS40U809# | 40 | 1913 | 800 | 900 | 756 | 132.0 |
| AS40U811# | 40 | 1913 | 800 | 1100 | 956 | 142.0 |
| AS45U809# | 45 | 2135 | 800 | 900 | 756 | 135.0 |
| AS45U811# | 45 | 2135 | 800 | 1100 | 956 | 145.0 |

* 24RU cabinets also supplied with ARTF flat top cover

40 & 45RU cabinets are supplied with gland plates fitted into roof

[^] The maximum distance between mounting rails

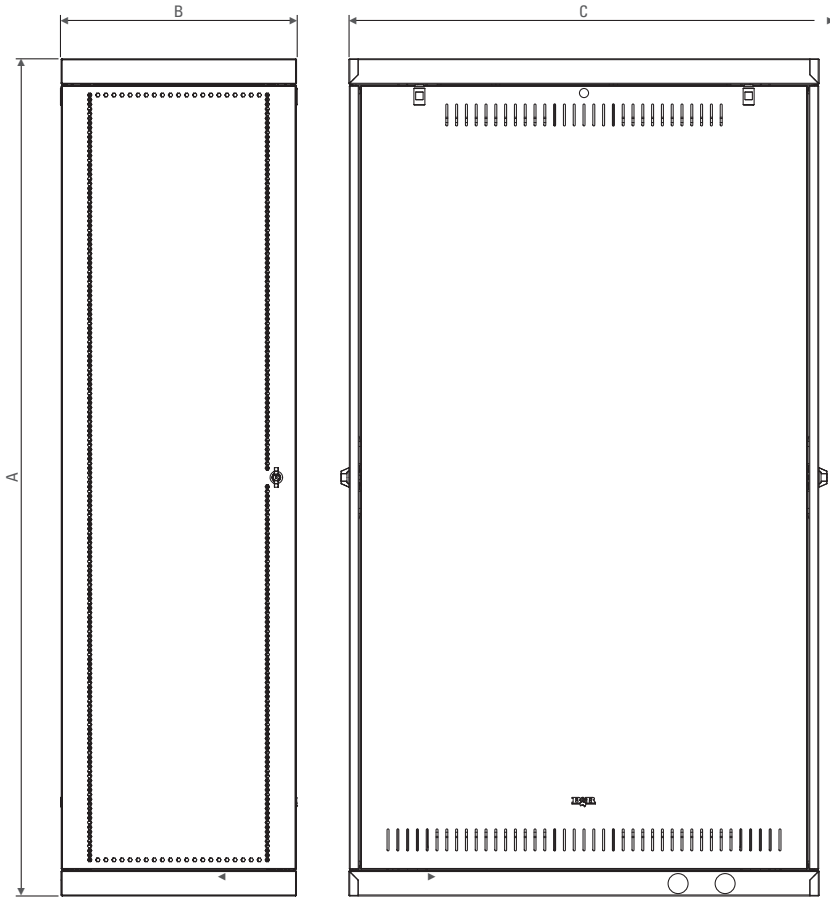
ACCESSORIES QUICK SELECTION

| ACCESSORIES | Page No. |
|--------------------------------|----------|
| Doors | 3-5 |
| Top Covers | 5 |
| Side Panels | 6 |
| Privacy Panels | 6 |
| Cable Zones | 7 |
| Power Rails | 7 |
| Cable Management | 8 |
| Shelves | 9 |
| Cable Trays | 9 |
| Fans | 10 |
| General & Mounting Accessories | 10 |
| Airflow Efficiency Products | 10-11 |

Ausrack Plus Server

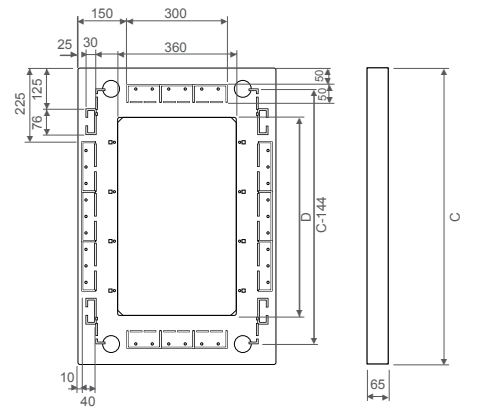
19 inch server cabinets

TECHNICAL DRAWINGS

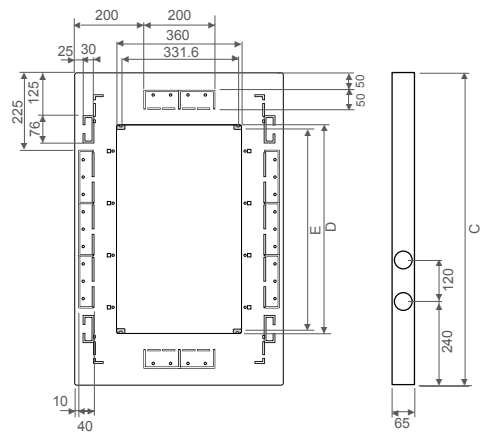


Front View

Side View



Top View



Bottom View

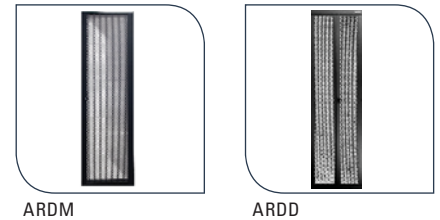
Ausrack Plus Accessories

A range of accessories to suit Ausrack Plus

Mesh Doors

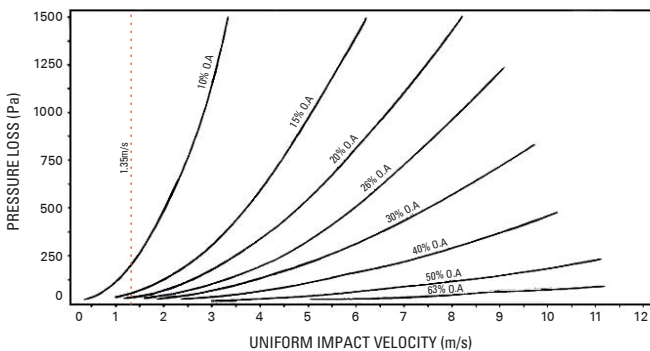
To maximise airflow to the Ausrack Plus data cabinet, all mesh doors consist of 63% open mesh and include a lockable wing knob and two point locking as standard (keyed to 92268). Electronic remote controlled, monitored locking systems, swing handles, custom keying and 3-point locking (ARP3L) available on request.

| Part Number | Description | To suit cabinets & frames | | |
|-------------|--|--|------------|-----|
| | | RU | Width (mm) | |
| ARDM18U06 | Mesh steel doors - single (63% open mesh) | 18 | 600 | |
| ARDM18U08 | | 18 | 800 | |
| ARDM24U06 | | 24 | 600 | |
| ARDM24U08 | | 24 | 800 | |
| ARDM27U06 | | 27 | 600 | |
| ARDM27U08 | | 27 | 800 | |
| ARDM40U06 | | 40 | 600 | |
| ARDM40U08 | | 40 | 800 | |
| ARDM42U06 | | 42 | 600 | |
| ARDM42U08 | | 42 | 800 | |
| ARDM45U06 | | 45 | 600 | |
| ARDM45U08 | | 45 | 800 | |
| ARDM47U06 | | 47 | 600 | |
| ARDM47U08 | | 47 | 800 | |
| ARDM48U06 | | 48 | 600 | |
| ARDM48U08 | | 48 | 800 | |
| ARDD18U06 | | Mesh steel door – split (63% open mesh) | 18 | 600 |
| ARDD18U08 | | | 18 | 800 |
| ARDD24U06 | | | 24 | 600 |
| ARDD24U08 | | | 24 | 800 |
| ARDD27U06 | 27 | | 600 | |
| ARDD27U08 | 27 | | 800 | |
| ARDD40U06 | 40 | | 600 | |
| ARDD40U08 | 40 | | 800 | |
| ARDD42U06 | 42 | | 600 | |
| ARDD42U08 | 42 | | 800 | |
| ARDD45U06 | 45 | | 600 | |
| ARDD45U08 | 45 | | 800 | |
| ARDD47U06 | 47 | | 600 | |
| ARDD47U08 | 47 | | 800 | |
| ARDD48U06 | 48 | | 600 | |
| ARDD48U08 | 48 | | 800 | |



Pressure Loss vs Impact Velocity For Various Open Area Perforated Plates

Source: Industrial Perforators Association (1993)



Why 63% mesh doors will work for you.

In many applications of mesh doors, the pressure loss through the door is one of the design considerations. In most situations the air impact velocity on the door won't be much over 1.5m/s.

As seen in the graph, B&R's 63% mesh doors will have a negligible pressure drop at these velocities. Most computer room air conditioners generate more than 20Pa of pressure, more than enough to overcome the pressure drop at the door in a containment situation.

For example, in a data centre environment, a 15kW heat load in a 45RU cabinet would require 3500m³/h of airflow. This is equivalent of a 1.35m/s impact velocity. In a containment situation with a positive aisle pressure this will be more than the pressure drop of the doors and the equipment will receive sufficient air flow.

With such a negligible restriction to airflow, the higher percentages available in the market have no real advantage. The 63% mesh was developed as a cross over point of functional performance and higher security.

Ausrack Plus Accessories

A range of accessories to suit Ausrack Plus

Window Doors

Window doors are available with an acrylic insert panel. An option is also available for venting for airflow. Suitable for all Ausrack Plus data cabinets, all doors include a lockable wing knob and two point locking as standard. (keyed to 92268) Electronic remote controlled, monitored locking systems, swing handles, custom keying and 3-point locking (ARP3L) are available on request.

| Part Number | Description | To suit cabinets & frames | | |
|-------------|----------------------|-------------------------------|------------|-----|
| | | RU | Width (mm) | |
| ARDA18U06 | Window door, acrylic | 18 | 600 | |
| ARDA18U08 | | 18 | 800 | |
| ARDA24U06 | | 24 | 600 | |
| ARDA24U08 | | 24 | 800 | |
| ARDA27U06 | | 27 | 600 | |
| ARDA27U08 | | 27 | 800 | |
| ARDA40U06 | | 40 | 600 | |
| ARDA40U08 | | 40 | 800 | |
| ARDA42U06 | | 42 | 600 | |
| ARDA42U08 | | 42 | 800 | |
| ARDA45U06 | | 45 | 600 | |
| ARDA45U08 | | 45 | 800 | |
| ARDA47U06 | | 47 | 600 | |
| ARDA47U08 | | 47 | 800 | |
| ARDA48U06 | | 48 | 600 | |
| ARDA48U08 | | 48 | 800 | |
| ARAV18U06 | | Window door, acrylic – vented | 18 | 600 |
| ARAV18U08 | | | 18 | 800 |
| ARAV24U06 | | | 24 | 600 |
| ARAV24U08 | | | 24 | 800 |
| ARAV27U06 | 27 | | 600 | |
| ARAV27U08 | 27 | | 800 | |
| ARAV40U06 | 40 | | 600 | |
| ARAV40U08 | 40 | | 800 | |
| ARAV42U06 | 42 | | 600 | |
| ARAV42U08 | 42 | | 800 | |
| ARAV45U06 | 45 | | 600 | |
| ARAV45U08 | 45 | | 800 | |
| ARAV47U06 | 47 | | 600 | |
| ARAV47U08 | 47 | | 800 | |
| ARAV48U06 | 48 | | 600 | |
| ARAV48U08 | 48 | | 800 | |



ARDA



ARAV

Ausrack Plus Accessories

A range of accessories to suit Ausrack Plus

Steel Doors

Suitable for use on all Ausrack Plus data cabinets. All steel doors include a lockable wing knob and two point locking as standard (keyed to 92268). Electronic remote controlled, monitored locking systems, swing handles, custom keying and 3-point locking (ARP3L) are available on request.

| Part Number | Description | To suit cabinets & frames | | |
|-------------|----------------------|---------------------------|------------|-----|
| | | RU | Width (mm) | |
| ARDS18U06 | Steel doors – single | 18 | 600 | |
| ARDS18U08 | | 18 | 800 | |
| ARDS24U06 | | 24 | 600 | |
| ARDS24U08 | | 24 | 800 | |
| ARDS27U06 | | 27 | 600 | |
| ARDS27U08 | | 27 | 800 | |
| ARDS40U06 | | 40 | 600 | |
| ARDS40U08 | | 40 | 800 | |
| ARDS42U06 | | 42 | 600 | |
| ARDS42U08 | | 42 | 800 | |
| ARDS45U06 | | 45 | 600 | |
| ARDS45U08 | | 45 | 800 | |
| ARDS47U06 | | 47 | 600 | |
| ARDS47U08 | | 47 | 800 | |
| ARDS48U06 | | 48 | 600 | |
| ARDS48U08 | | 48 | 800 | |
| ARSS24U06 | | Steel doors – split | 24 | 600 |
| ARSS24U08 | | | 24 | 800 |
| ARSS40U06 | | | 40 | 600 |
| ARSS40U08 | | | 40 | 800 |
| ARSS45U06 | 45 | | 600 | |
| ARSS45U08 | 45 | | 800 | |

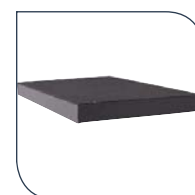


ARDS

Top Covers

Used to enclose the frame's top plinth section. Raised top covers feature ventilation for airflow and can be used in conjunction with fans (see page 43).

| Part Number | Type | To suit cabinets & frames | |
|-------------|--------|---------------------------|------------|
| | | RU | Width (mm) |
| ARTF606 | Flat | 600 | 600 |
| ARTF609 | | 600 | 900 |
| ARTF611 | | 600 | 1100 |
| ARTF809 | | 800 | 900 |
| ARTF811 | | 800 | 1100 |
| ARTR606 | Raised | 600 | 600 |
| ARTR609 | | 600 | 900 |
| ARTR611 | | 600 | 1100 |
| ARTR809 | | 800 | 900 |
| ARTR811 | | 800 | 1100 |



ARTF



ARTR

Ausrack Plus Accessories

A range of accessories to suit Ausrack Plus

Side Cladding

Side panels include venting and are easy-to-fit using locating pins and slam latches. They can be locked into the frame for added security using either an external key lock kit (ARSPL) or an internal latch kit (ARSPIL).

Privacy Panels are a secure method of providing security to a single cabinet when cabinets are bayed together, by using either a non-removable panel, or a removable set of panels. These panels can also segregate air to ensure no cross cabinet mixing.

| Part Number | | To suit cabinets & frames | |
|-------------|----------------|---------------------------|------------|
| Side Panels | Privacy Panels | RU | Depth (mm) |
| ARP18U06 | | 18 | 600 |
| ARP18U08 | | 18 | 800 |
| ARP18U09 | | 18 | 900 |
| ARP18U10 | | 18 | 1000 |
| ARP18U11 | | 18 | 1100 |
| ARP18U12 | | 18 | 1200 |
| ARP24U06 | | 24 | 600 |
| ARP24U08 | | 24 | 800 |
| ARP24U09 | | 24 | 900 |
| ARP24U10 | | 24 | 1000 |
| ARP24U11 | | 24 | 1100 |
| ARP24U12 | | 24 | 1200 |
| ARP27U06 | | 27 | 600 |
| ARP27U08 | | 27 | 800 |
| ARP27U09 | | 27 | 900 |
| ARP27U10 | | 27 | 1000 |
| ARP27U11 | | 27 | 1100 |
| ARP27U12 | | 27 | 1200 |
| ARP40U06 | ARPP40U06 | 40 | 600 |
| ARP40U08 | ARPP40U08 | 40 | 800 |
| ARP40U09 | ARPP40U09 | 40 | 900 |
| ARP40U10 | ARPP40U10 | 40 | 1000 |
| ARP40U11 | ARPP40U11 | 40 | 1100 |
| ARP40U12 | ARPP40U12 | 40 | 1200 |
| ARP42U06 | ARPP42U06 | 42 | 600 |
| ARP42U08 | ARPP42U08 | 42 | 800 |
| ARP42U09 | ARPP42U09 | 42 | 900 |
| ARP42U10 | ARPP42U10 | 42 | 1000 |
| ARP42U11 | ARPP42U11 | 42 | 1100 |
| ARP42U12 | ARPP42U12 | 42 | 1200 |
| ARP45U06 | ARPP45U06 | 45 | 600 |
| ARP45U08 | ARPP45U08 | 45 | 800 |
| ARP45U09 | ARPP45U09 | 45 | 900 |
| ARP45U10 | ARPP45U10 | 45 | 1000 |
| ARP45U11 | ARPP45U11 | 45 | 1100 |
| ARP45U12 | ARPP45U12 | 45 | 1200 |
| ARP47U06 | ARPP47U06 | 47 | 600 |
| ARP47U08 | ARPP47U08 | 47 | 800 |
| ARP47U09 | ARPP47U09 | 47 | 900 |
| ARP47U10 | ARPP47U10 | 47 | 1000 |
| ARP47U11 | ARPP47U11 | 47 | 1100 |
| ARP47U12 | ARPP47U12 | 47 | 1200 |
| ARP48U06 | ARPP48U06 | 48 | 600 |
| ARP48U08 | ARPP48U08 | 48 | 800 |
| ARP48U09 | ARPP48U09 | 48 | 900 |
| ARP48U10 | ARPP48U10 | 48 | 1000 |
| ARP48U11 | ARPP48U11 | 48 | 1100 |
| ARP48U12 | ARPP48U12 | 48 | 1200 |



ARP



ARPP

Ausrack Plus Accessories

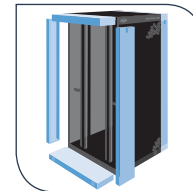
A range of accessories to suit Ausrack Plus



Cable Zones

Designed for mounting onto the side of cabinet optimising accessibility and space available for cabling and cable management products. They can be incorporated into suites and are available for all 40RU and 45RU cabinets and frames. Consist of top and bottom plinths, front and rear cover panels and all fixings required for installation onto the rack.

| Part Number | Width (mm) | To suit cabinets & frames | |
|-----------------------|------------|---------------------------|------------|
| | | RU | Depth (mm) |
| AC40U06 | 100 | 40 | 600 |
| AC40U09 | 100 | 40 | 900 |
| AC40U11 | 100 | 40 | 1100 |
| AC45U06 | 100 | 45 | 600 |
| AC45U09 | 100 | 45 | 900 |
| AC45U11 | 100 | 45 | 1100 |
| AC45U12 | 100 | 45 | 1200 |
| AC40U206 [▲] | 200 | 40 | 600 |
| AC40U209 | 200 | 40 | 900 |
| AC40U211 | 200 | 40 | 1100 |
| AC45U206 [▲] | 200 | 45 | 600 |
| AC45U209 | 200 | 45 | 900 |
| AC45U211 | 200 | 45 | 1100 |
| AC45U212 | 200 | 45 | 1200 |



Cable Zones

[▲] Available on request

Power Rails

Suitable for use in all Ausrack cabinets. Available in 6, 10, 20-way 10A SAA outlets and 10-way IEC-C13 and tested to Australian Standards. Other options, switched and intelligent PDUs are available on request.

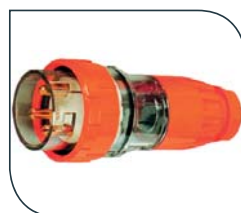
| Part Number | Description | Orientation | Type of Outlets | Type of Input Plug | RU | Circuit Breaker |
|---------------|--|-------------|-----------------|--------------------|----|-----------------|
| ARPRH61010 | 6 x 10A Outlet 10A Plug | Horizontal | SAA Outlet | 10A SAA plug | 1 | 10A |
| ARPRH61015 | 6 x 10A Outlet 15A Plug | | SAA Outlet | 15A SAA plug | 1 | 15A |
| ARPRH101010 | 10 x 10A Outlet 10A Plug | | SAA Outlet | 10A SAA plug | 2 | 10A |
| ARPRH101015 | 10 x 10A Outlet 15A Plug | | SAA Outlet | 15A SAA plug | 2 | 15A |
| ARPRV61010 | 6 x 10A Outlet 10A Plug | Vertical | SAA Outlet | 10A SAA plug | 10 | 10A |
| ARPRV61015 | 6 x 10A Outlet 15A Plug | | SAA Outlet | 15A SAA plug | 10 | 15A |
| ARPRV101010 | 10 x 10A Outlet 10A Plug | | SAA Outlet | 10A SAA plug | 16 | 10A |
| ARPRV101015 | 10 x 10A Outlet 15A Plug | | SAA Outlet | 15A SAA plug | 16 | 15A |
| ARPRV201010 | 20 x 10A Outlet 10A Plug | | SAA Outlet | 10A SAA plug | 28 | 10A |
| ARPRV201015 | 20 x 10A Outlet 15A Plug | | SAA Outlet | 15A SAA plug | 28 | 15A |
| ARPRV10C13C14 | 10 x 10A C13, 10A C14 Plug | | IEC320-C13 | IEC320-C14 | 10 | 10A |
| ARPRV10C13C20 | 10 x 10A C13, 16A C20 Plug | | IEC320-C13 | IEC320-C20 | 10 | 16A |
| ARPRHS61010 | 6 x 10A Outlet, 10A Plug surge protected | Horizontal | SAA Outlet | 10A SAA plug | 1 | 10A |
| ARPRHS61015 | 6 x 10A Outlet, 15A Plug surge protected | | SAA Outlet | 15A SAA plug | 1 | 15A |
| ARPRVS101015 | 10 x 10A Outlet 10A Plug surge protected | Vertical | SAA Outlet | 15A SAA plug | 17 | 15A |



Power Rails

Customised power rail solutions

If you have a requirement outside of our standard offer please contact your local B&R sales office and we can assist in providing a customised solution. No matter the socket type, plug type, colour or protection level, B&R can service your needs suitable for your specific application. At B&R we are proud to offer Australian Made custom PDUs to suit your detailed requirements.



Ausrack Plus Accessories

A range of accessories to suit Ausrack Plus

Cable Management

Cable management can be incorporated into Ausrack cabinets and can be used for horizontal and vertical cable management of high density cabling.

| Product | Part Number | Description | RU | Width (mm) | To suit enclosure |
|-----------------------------------|-------------|--|----|------------|---|
| Horizontal Cable Management | ARHCMF1U | Cable fingers and cover panel | 1 | - | All Ausrack Plus products |
| | ARHCMF2U | | 2 | - | |
| | ARHCMF4U | | 4 | - | |
| Vertical Cable Management Fingers | ARVCMF40U | Cable fingers and connection bracket | 40 | - | All Ausrack Plus products |
| | ARVCMF45U | | 45 | - | |
| Vertical Cable Management System | ARVCMS40U10 | U-Channel system with cable fingers, connection brackets and cover flaps | 40 | 100 | Ausrack Plus products 800mm wide cabinets or with use of cable zones |
| | ARVCMS40U20 | | 40 | 200 | |
| | ARVCMS45U10 | | 45 | 100 | |
| | ARVCMS45U20 | | 45 | 200 | |
| Horizontal Cable Management Rings | ARPCMH1U | 55mm x 30mm ring, 1RU | 1 | - | All Ausrack Plus products |
| Cable Management Rings | ARPCMR2S | 155mm deep, single zone | - | - | 100mm cable zone |
| | ARPCMR3S | 300mm deep, single zone | - | - | 100mm cable zone |
| | ARPCMR3D | 300mm deep, two zone | - | - | 200mm cable zone |
| Cable Management Hanger | ARPCMP24 | 24 patch lead hanger, 597mm | - | - | Stand alone product wall mount |

Cable Capacity

| | Cat5e | Cat6 | Cat6e | Cat7 | Fibre | Power 10A | Power 15A |
|----------------------------|-------|------|-------|------|-------|-----------|-----------|
| Diameter (mm) [#] | 5.6 | 6.3 | 8.4 | 7.6 | 3 | 7 | 8.5 |
| Saturation* | 50% | 50% | 50% | 50% | 60% | 40% | 40% |
| ARHCMF1U | 31 | 25 | 14 | 17 | 129 | 16 | 11 |
| ARHCMF2U | 99 | 79 | 44 | 54 | 414 | 51 | 35 |
| ARHCMF4U | 227 | 179 | 101 | 123 | 947 | 116 | 79 |
| ARPCMH1U | 23 | 18 | 10 | 13 | 94 | 12 | 8 |
| ARVCMSxxU10 | 269 | 213 | 120 | 146 | 1125 | 138 | 94 |
| ARVCMSxxU20 | 597 | 472 | 266 | 324 | 2495 | 306 | 208 |
| ARPCMR2S | 205 | 162 | 92 | 112 | 858 | 105 | 72 |
| ARPCMR3S | 431 | 340 | 192 | 234 | 1799 | 221 | 150 |
| ARPCMR3D | 1167 | 922 | 519 | 634 | 4877 | 598 | 405 |



Please Note: B&R Enclosures does not accept liability for any errors within the above table.

[#]These are nominal values for the OD of cable as sizes may vary.

* Recommended maximum cable saturation.

Ausrack Plus Accessories

A range of accessories to suit Ausrack Plus



Shelves

Providing a stable platform for other miscellaneous gear, shelving mounts off the 19" rack rails. All shelves are vented to allow vertical airflow.

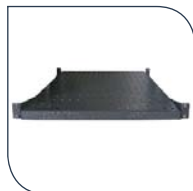
| Part Number | Description | RU | Depth (mm) | Load Rating (kg) | To suit cabinets & frames (mm) |
|------------------------|--------------------------------|----|------------|------------------|--------------------------------|
| ARC210 | Cantilever | 2 | 210 | 10 | All |
| ARC360 | | 2 | 360 | 10 | All |
| ARPFL600 | Fixed, light duty | 1 | 450 | 50 | 600mm deep |
| ARPFL800 [▲] | | 1 | 650 | 50 | 800mm deep |
| ARPFL900 [▲] | | 1 | 750 | 50 | 900mm deep |
| ARPFL1000 [▲] | | 1 | 850 | 50 | 1000mm deep |
| ARPFL1100 [▲] | | 1 | 950 | 50 | 1100mm deep |
| ARPFL1200 [▲] | | 1 | 1050 | 50 | 1200mm deep |
| ARPFH600 [▲] | Fixed, heavy duty | 1 | 450 | 100 | 600mm deep |
| ARPFH800 [▲] | | 1 | 650 | 100 | 800mm deep |
| ARPFH900 [▲] | | 1 | 750 | 100 | 900mm deep |
| ARPFH1000 [▲] | | 1 | 850 | 100 | 1000mm deep |
| ARPFH1100 [▲] | | 1 | 950 | 100 | 1100mm deep |
| ARPFH1200 [▲] | | 1 | 1050 | 100 | 1200mm deep |
| ARTF450 | Telescopic, full extension | 1 | 450 | 20 | 600mm deep |
| ARTF750 | | 1 | 750 | 20 | 900mm deep |
| ARTF950 | | 1 | 950 | 20 | 1100mm deep |
| ARTH450 | Telescopic, half extension | 1 | 450 | 40 | 600mm deep |
| ARTH750 | | 1 | 750 | 40 | 900mm deep |
| ARTH950 | | 1 | 950 | 40 | 1100mm deep |
| ARKBC | Keyboard pivot tray accessory* | 2 | - | - | All |

[▲] Available on request

* Requires half extension telescopic shelf



ARC210



ARFL



ARFH

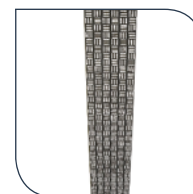


ARKBC

Cable Trays

An effective way to keep vertical cable runs neat and tidy.

| Part Number | Cable Mounting Width (mm) | To suit cabinet RU |
|-------------|---------------------------|--------------------|
| ARC24U15 | 150 | 24 |
| ARC24U30 | 300 | 24 |
| ARC40U15 | 150 | 40 |
| ARC40U30 | 300 | 40 |
| ARC45U15 | 150 | 45 |
| ARC45U30 | 300 | 45 |



ARC45U30

Ausrack Plus Accessories

A range of accessories to suit Ausrack Plus

Fans

Two and four unit fan kits install into the roof or bottom plinth. The two unit fan kit can also be fitted into the equipment rails. All fans are supplied with 2m flex and 10A SAA plug. Whisper quiet options are available on request.

| Product | Part Number | Description | RU |
|-------------------|-------------|---|----|
| Fan kit – 2 unit | ARPAF2 | High speed, axial | 1 |
| | ARPAF2T | High speed, axial, with integrated thermostat | 1 |
| | ARPAF2WT | Whisper quiet with integrated thermostat | 1 |
| Fan kit – 4 unit* | ARPAF4 | High speed, axial | 1 |
| | ARPAF4T | High speed, axial, with integrated thermostat | 1 |
| | ARPAF4WT | Whisper quiet with integrated thermostat | 1 |

* Fitting in roof and base only



ARPAF2T



ARPAF4T



ARPAF2



ARPAF4

General & Mounting Accessories

| Part Number | Product | Description |
|------------------------|--------------------------------------|--|
| ARPRK | Heavy duty roller kit | 800kg load, adds 10mm to height of cabinet |
| ARPFK | Adjustable foot kit | – |
| ARPBK | Baying kit | Consists of 4 brackets |
| ARP3L | 3 point locking kit | Suits all door except split doors |
| ARSPL | Side panel lock kit | Keyed to 92268 |
| ARSPIL | Side panel internal latch kit | Pack of two |
| ARMS06 | Mounting rail horizontal support arm | To suit 600mm deep |
| ARMS09 | | To suit 900mm deep |
| ARMS11 | | To suit 1100mm deep |
| ARMR12U | Mounting rail – pair (powdercoated) | 12RU |
| ARMR24U | | 24RU |
| ARMR40U | | 40RU |
| ARMR45U | | 45RU |
| ARCN | Cage nuts, screws and washers | Pack of 50 |
| ARSTUD100 [▲] | Rack Studs | Pack of 100 |
| ARSTUD20 [▲] | | Pack of 20 |

[▲] Available on request

Vertical Brush Strips

Designed to control airflow in the rack. They provide a barrier between the front of the frame and hot exhaust air at the rear, between the post and the side panel whilst also allowing cable access. Each strip attaches to the post and extends to the side panel of the cabinet.

| Part Number | To suit cabinets & frames | |
|-------------|---------------------------|------------|
| | RU | Width (mm) |
| ARPBS40U06 | 40 | 600 |
| ARPBS40U08 | 40 | 800 |
| ARPBS45U06 | 45 | 600 |
| ARPBS45U08 | 45 | 800 |



ARPBS

Ausrack Plus Accessories

A range of accessories to suit Ausrack Plus



Ezibrush™ Strips

Keeps hot exhaust air away from cool intake air, extending the life of your equipment. These panels have a brush strip overhanging the 1RU size by an extra 5mm allowing simple management of air gaps when placed alongside other equipment.

| Part Number | Description | RU |
|-------------|-----------------------|----|
| ARBPB1U | Horizontal, 19" black | 1 |



ARBPB1U

Eziblank Blanking Panels

The Ausrack 6RU adjustable tool-less blanking panels simply snap to the size you need and pushes onto the 19" mounting rails. The blanking panels can be easily snapped in 1RU increments to fit any gap. Made from UL94 fire rated and anti-static ABS plastic.

| Part Number | Description | RU |
|-------------|------------------------------------|----|
| ARBP6U | Supplied as 6 x 1RU plastic panels | 1 |



ARBP6U

Metal Blanking Panels

Used to control airflow within the rack. They are manufactured from 1.2mm steel with a powdercoated matt black surface finish.

| Part Number | RU | Dimensions (mm) | |
|-------------|----|-----------------|-------|
| | | Height | Width |
| EBP1U | 1 | 44 | 483 |
| EBP2U | 2 | 88 | 483 |
| EBP3U | 3 | 132 | 483 |
| EBP4U | 4 | 177 | 483 |
| EBP5U | 5 | 222 | 483 |
| EBP6U | 6 | 266 | 483 |



EBP

Cable Zone Blanking Plates

Designed to seal the front section of racks bayed with cable zones from hot exhaust air at the rear of the cabinet. They extend between the posts of the two adjoining racks over the cable zone to the full height of the rack.

| Part Number | Width (mm) | To suit cabinets & frames |
|-------------|------------|---------------------------|
| ARPBP40U100 | 100 | 40RU |
| ARPBP40U200 | 200 | 40RU |
| ARPBP45U100 | 100 | 45RU |
| ARPBP45U200 | 200 | 45RU |

AUSTRALIA

Sales

T: 1300 Enclosures (1300 362 567)
F: 1300 796 599
E: sales@brenclosures.com.au
brenclosures.com.au

QUEENSLAND

Brisbane Manufacturing, Sales & Warehouse
51 Stradbroke Street
Heathwood QLD 4110
(PO Box 1151)
Browns Plains BC QLD 4118
T: +61 7 3714 1111
E: salesqld@brenclosures.com.au

NORTH QUEENSLAND

Townsville Sales & Warehouse
Unit 4 / 780 Ingham Rd, Mount Louisa
(PO Box 7615),
Garbutt QLD 4814
T: +61 7 4727 1900
E: salestvl@brenclosures.com.au

NEW SOUTH WALES

NSW & ACT Sales & Warehouse
Unit 12 / 100 Belmore Road North
(PO Box 192)
Riverwood NSW 2210
T: +61 2 9915 9555
E: salesnsw@brenclosures.com.au

NEWCASTLE Distribution

Ross Joice Agencies Pty Ltd
109-111 Broadmeadow Road
Broadmeadow NSW 2292
T: +61 2 4961 4433

VICTORIA

VIC & TAS Sales & Warehouse
50-52 Sunmore Close
Heatherton VIC 3202
T: +61 3 9552 0552
E: salesvic@brenclosures.com.au

TASMANIA Distribution

W P Martin Pty Ltd
85 Elizabeth Street
Launceston TAS 7250
T: +61 3 6331 5545

SOUTH AUSTRALIA

SA & NT Manufacturing, Sales & Warehouse
505 Grand Junction Road
Wingfield SA 5013
T: +61 8 8417 6222
E: salessa@brenclosures.com.au

NORTHERN TERRITORY Distribution

Jewell Distributors Pty Ltd
Cnr Hidden Valley & Beaton Roads
Berrimah NT 0828
T: +61 8 8947 0870

WESTERN AUSTRALIA

WA Sales Office & Warehouse
6 Montgomery Way
Malaga WA 6090
T: +61 8 6310 4777
E: saleswa@brenclosures.com.au

NEW ZEALAND

Sales

B&R Enclosures Limited
T: 0800 Enclosures (0800 362 567)
E: sales@brenclosures.co.nz
brenclosures.co.nz

AUCKLAND Distribution

Matchmaster
Unit 6/103 Cryers Road
East Tamaki Auckland NZ 2013
T: +64 9 265 2097
E: sales@brenclosures.co.nz

CHRISTCHURCH Distribution

Matchmaster
17 Washbournes Road
Wigram Christchurch NZ 8042
T: +64 3 348 0659
E: sales@brenclosures.co.nz

CHINA

B&R Enclosures (Suzhou) Co. Ltd
E: sales@brenclosures.com.cn
brenclosures.com.cn

SUZHOU

Manufacturing, Sales & Warehouse
Building 45, Chuangtou
Industrial Zone, SIP,
Suzhou 215122
PEOPLE'S REPUBLIC OF CHINA
T: +86 512 8718 2139
E: sales@brenclosures.com.cn

SOUTH EAST ASIA

Sales

Manufacturing, Sales & Warehouse
B&R Enclosures SDN BHD
No.38-1, Puchong Gateway Square,
Jalan Suria Puchong 4
Pusat Perniagaan Suria Puchong
47110, Puchong, Selangor, Malaysia
M: +601 2350 2568
T: +603 8958 3923
E: sales@brenclosures.com.my
brenclosures.com.my

MALAYSIA Distribution

MTW Controls SDN BHD
42 Puchong Gateway Square
Jalan Suria Puchong 4
47110 Puchong Darul Ehsan
Kuala Lumpur, MALAYSIA
M: +601 227 7637 3
E: ckwoon@mtwcontrols.com.my

INDONESIA Distribution (Office)

P.T Reitama Engineering
Jl. Margonda Raya No. 139
Depok, INDONESIA 16413
T: +62 21 7783 7078 (Hunting)
M: +62 81 1979 7772
E: sales@reitama-engineering.com

MIDDLE EAST

Sales

Manufacturing, Sales & Warehouse
B&R Gulf
Factory No. 12, Modon Buildings
King Salman Road, Industrial Area 3
Dammam, Kingdom of Saudi Arabia
T: +96 638 128 691 or +96 650 349 6592
E: sales@brgulf.com.sa
brgulf.com.sa

UAE Distribution

Engineering Support Systems Est.
PO Box 33904 Defence Street
Ashtel Mobile Shop Bldg.
Mezzanine Floor, Room M2
Abu Dhabi, UNITED ARAB EMIRATES
T: +971 2641 1844
E: esse@emirates.net.ae

OMAN Distribution

Global Corp Enterprices LLC
PO Box 1524
Al Khuwair, OMAN
M: +968 9929 4323
E: rakesh@globalcorpoman.com

QATAR Distribution

Petrogulf Qatar
WLL Doha
QATAR
T: +974 4435 0151
E: amit@petrogulf.org