

Telecommunications]

BVCI specialise in the development, manufacture and distribution of plastic polymer and pre-cast concrete cable jointing pits and pit access covers. All BVCI plastic polymer cable pits are designed and tested to "Telcordia" standard for top and side wall loading as it is now recognised and accepted that "footpaths" are no longer vehicle free and as such pit designs must ensure both top and side loads are capable to take light vehicles and ride on mowers. BVCI plastic cable pits are manufactured by rotational moulding process using black ultra violet light stabilised polyethylene material. BVCI plastic cable pits have been developed with assistance from industry and major Authorities to ensure they meet the stringent requirements for installation and long term use, and are approved for use by major Authorities in Telecommunications including Telstra, and Energy Authorities. BVCI product is also extensively used in the NBN and alternative Broadband rollouts throughout Australia.

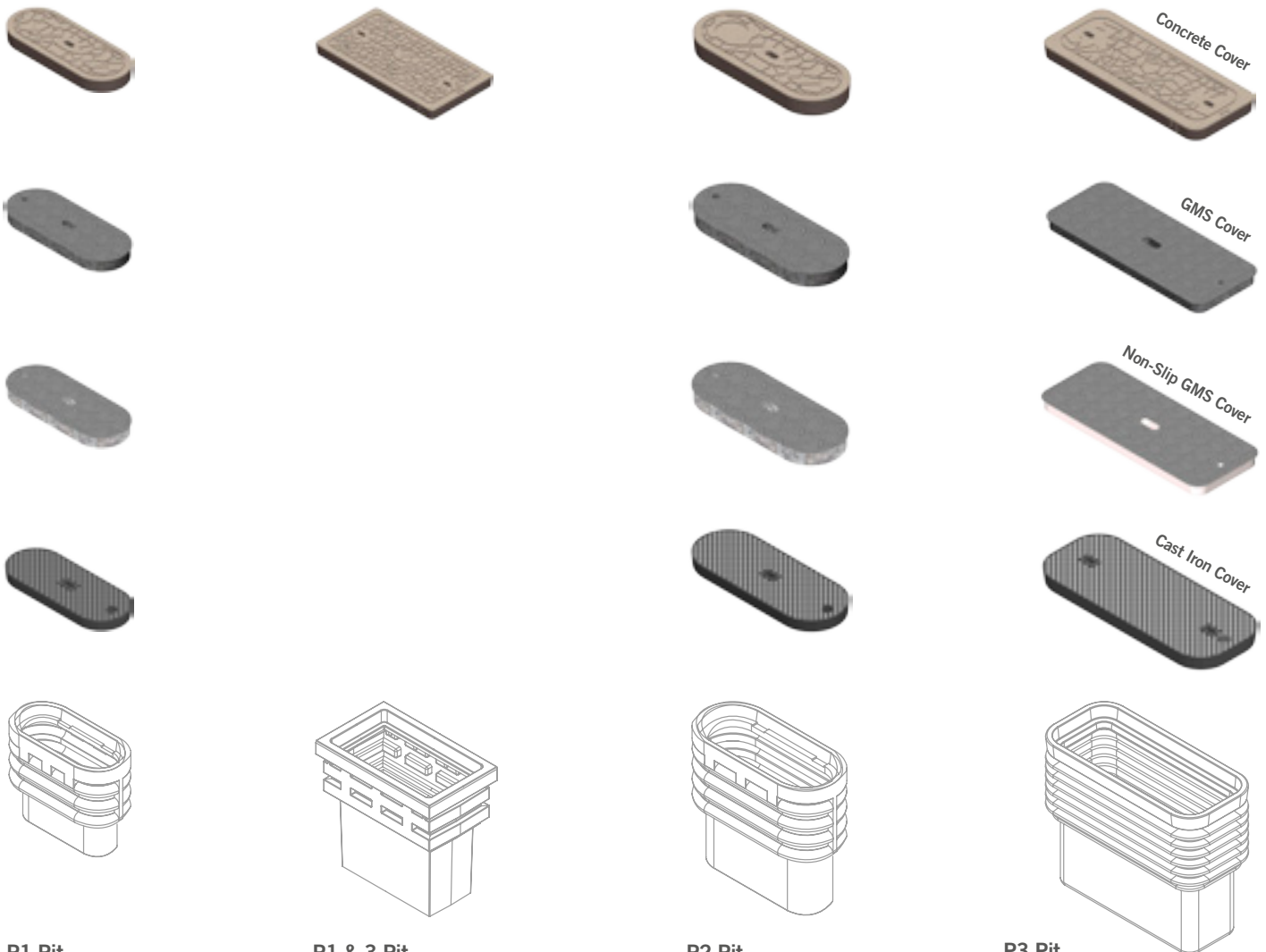
BVCI pre-cast concrete cable pits and manholes are specifically designed and manufactured to meet leading Authority and industry standards and requirements for Telecommunications, Communications and Electrical applications. All BVCI cable pit product are manufactured using 40Mpa strength concrete and are fully steel mesh and bar reinforced, and include Unistrut for cable hanging, and conduit knockouts. Some cable pits are designed specifically to the Authority design and standard, and others designed by BVCI with knowledge and assistance from Authorities and Industry are developed to meet specific load ratings for vehicle traffic whether it be for "footpath" or "roadway" applications. BVCI also design and manufacture "non-standard" cable pits and manholes to meet specific installation projects.

BVCI manufacture a wide range of cable pit access covers in pre-cast concrete, galvanised mild steel, cast (ductile) iron, and selective plastic and composite designs. BVCI access pit covers are available in non locking or locking configuration. Locking covers may be in Allen Key style lockdown bolt or lockbox style to meet high security SCEC endorsement as used in Defence facilities. BVCI also specialise in the manufacture of pit access covers encased in pre-cast concrete roof slabs or plinths for placement over standard or special cable pit installations.

BVCI have a long association with Telstra and are a current approved supplier.

Plastic Pit Range

Telecommunications

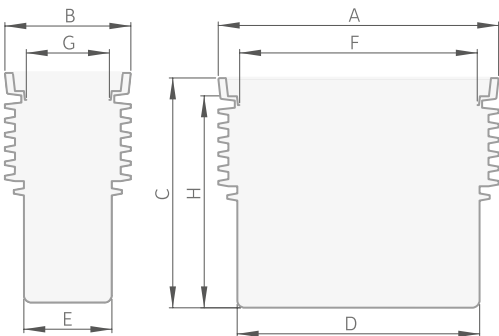


P1 Pit
Product Code 124000
Telstra Approved Pit

P1 & 3 Pit
Product Code 124050

P2 Pit
Product Code 124015
Telstra Approved Pit

P3 Pit
Product Code 124020
Telstra Approved Pit



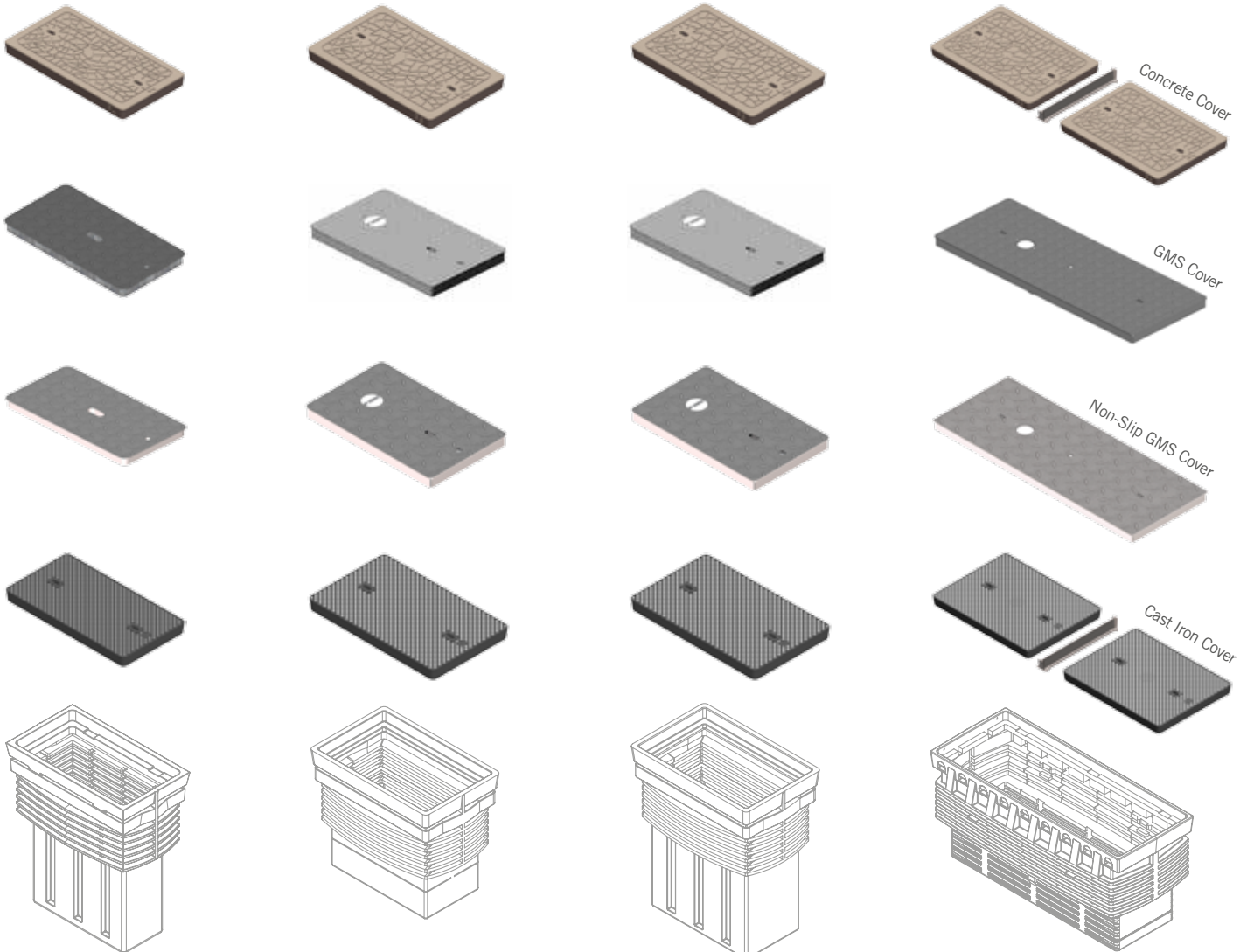
A x B x C x D x E - Overall Dimensions
F x G x H - Clear Opening Size

Product Code (Pit only)	124000	124050	124015	124020
	P1 Dimensions	P1&3 Dimensions	P2 Dimensions	P3Dimensions
A	516	574	661	785
B	232	344	290	353
C	408	550	580	590
D	410	448	540	678
E	125	210	170	246
F	425	456	550	664
G	140	232	185	232
H	350	500	522	532

Please note: Gasket covers are available for Telstra approved plastic pits.
Plastic riser extensions available for P4, P5 and P6/8 Pits.

Plastic Pit Range

Telecommunications

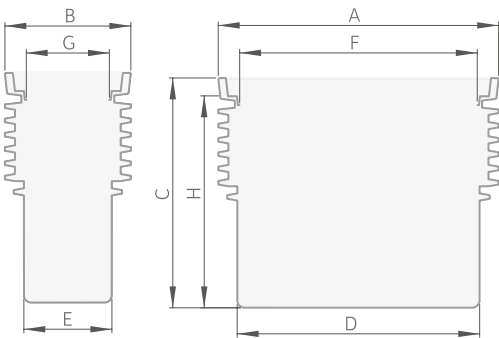


P4 Pit
Product Code 124025
 Approved Pit

P5 Pit
Product Code 124030
 Approved Pit

P5-800 Pit
Product Code 124031

P6 Pit
Product Code 124040
 Approved Pit



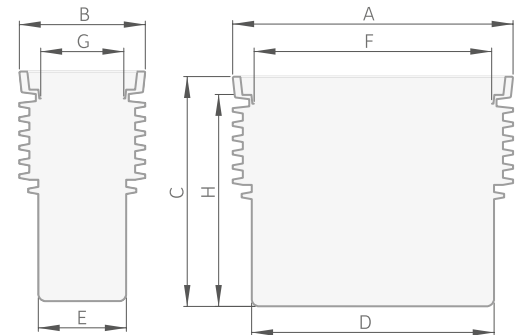
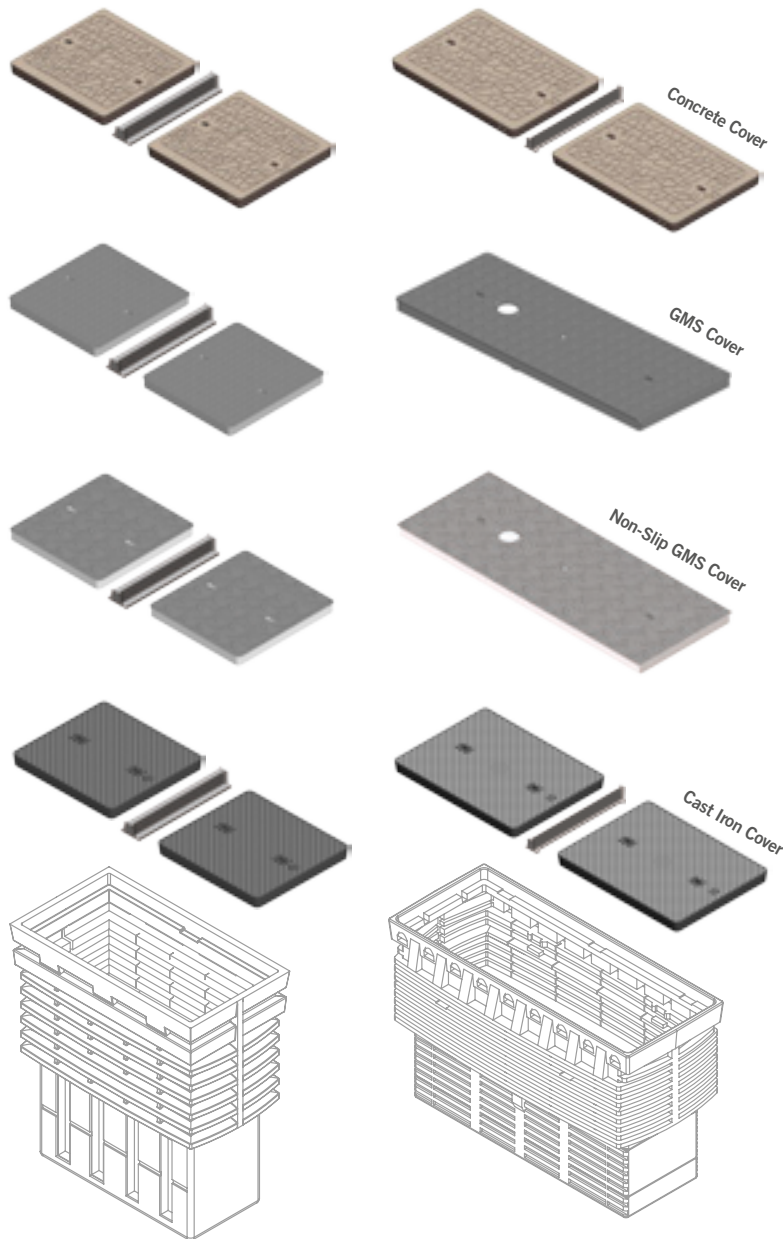
A x B x C x D x E - Overall Dimensions
F x G x H - Clear Opening Size

Product Code (Pit only)	124025	124030	124031	124040
	P4 Dimensions	P5 Dimensions	P5-800Dimensions	P6 Dimensions
A	704	700	700	1364
B	398	450	450	610
C	830	648	830	660
D	550	574	570	1200
E	240	320	320	410
F	582	580	580	1241
G	277	330	330	431
H	774	592	774	600

Please note: Gasket covers are available for Telstra approved plastic pits.
Riser extensions available for P4, P5 and P6 Pits.

Plastic Pit Range

Telecommunications



Product Code (Pit only)	124042	124045
	P7 Dimensions	P8 Dimensions
A	1020	1364
B	560	610
C	1130	880
D	860	1200
E	400	410
F	898	1241
G	440	431
H	1070	820

A x B x C x D x E - Overall Dimensions
 F x G x H - Clear Opening Size

Please note: Gasket covers are available for Telstra approved plastic pits.
 Riser extensions available for P8 Pit.

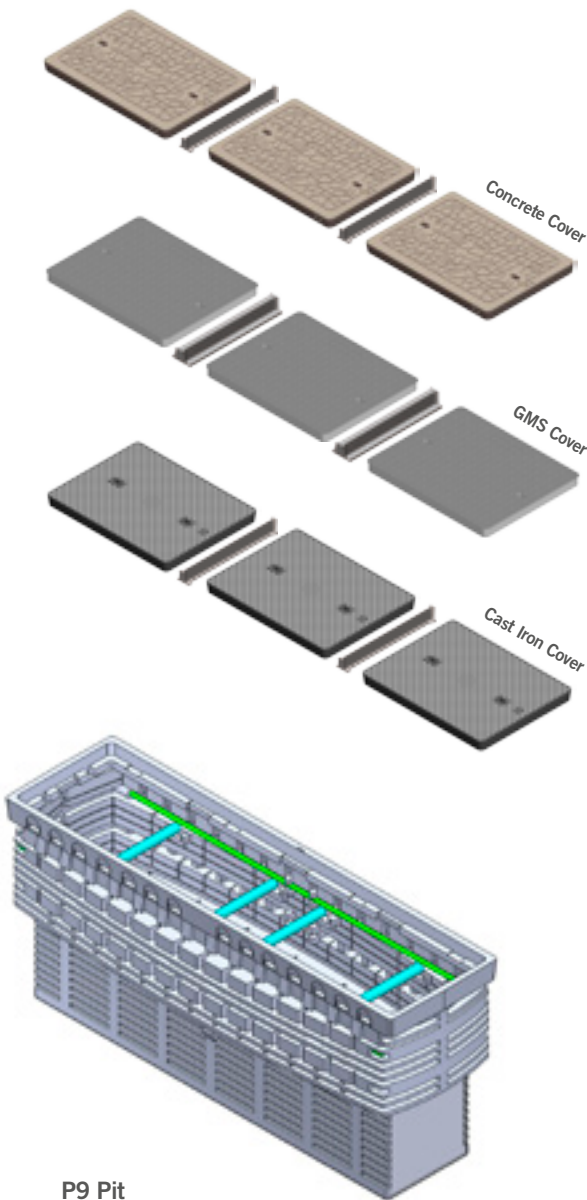
P7 Pit
 Product Code 124042

P8 Pit
 Product Code 124045
 Approved Pit

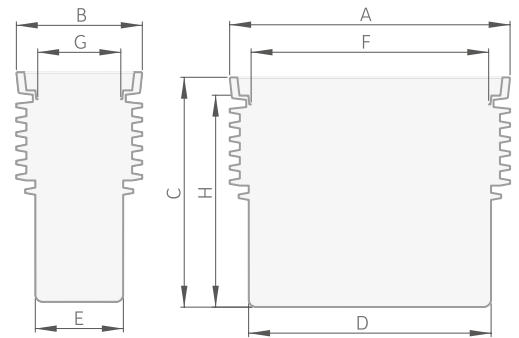
GMS and Cast Iron lids and Concrete Covers are available blank or with standard Electrical and Communication logos. Various company logos are available upon request. Bolt-locking options are available for GMS Covers. Gasket covers available for Telstra approved plastic pits.

Plastic Pit Range

Telecommunications



P9 Pit
Product Code 124046
 Approved Pit



Product Code (Pit only)	124046
P9 Dimensions	
A	2040
B	670
C	920
D	1850
E	423
F	1906
G	425
H	850

A x B x C x D x E - Overall Dimensions

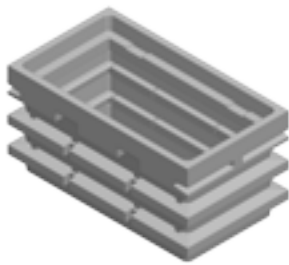
F x G x H - Clear Opening Size

Please note: Gasket covers are available for Telstra approved plastic pits.

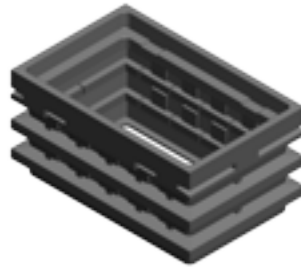
Cast Iron lids and Concrete Covers are available blank or with standard Electrical and Communication logos. Various company logos are available upon request. Gasket covers available for Telstra approved plastic pits. P9 Pit and concrete pit covers are designed and manufactured to NBN and Telstra specifications.

Plastic Pit Risers

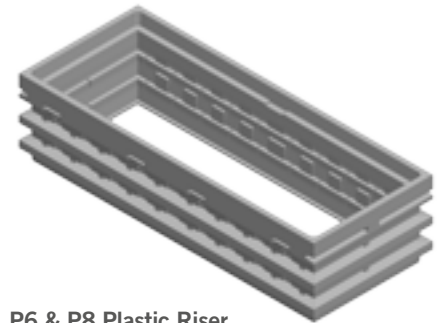
Telecommunications



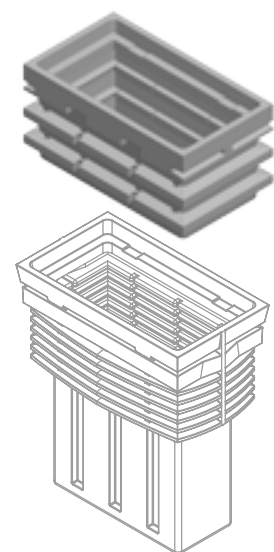
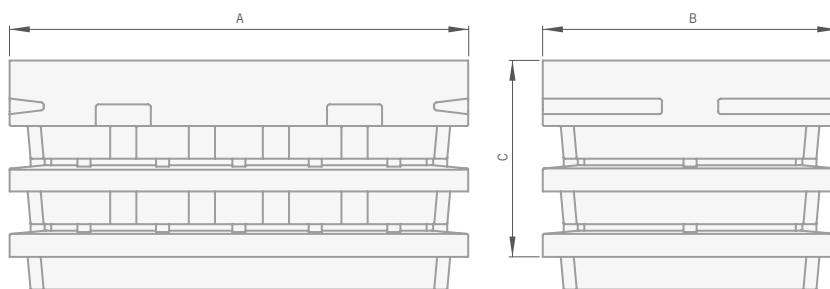
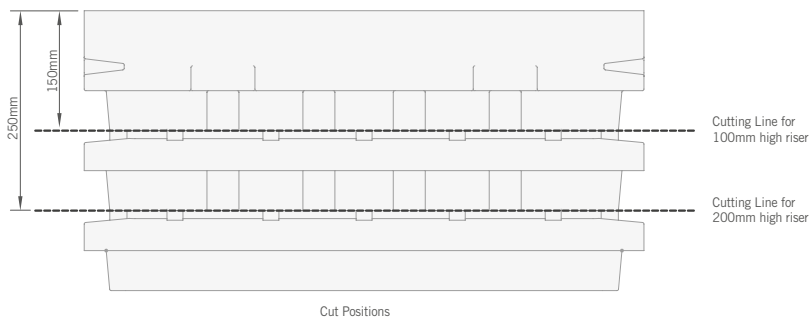
P4 Plastic Riser



P5 Plastic Riser
 Approved Pit Collar Extension



P6 & P8 Plastic Riser
 Approved Pit Collar Extension



Product Code	124225	124226	124228
Plastic Riser	P4	P5	P6/P8
A	700	700	1366
B	396	450	553
C	300	300	300

Precast Concrete Pit Covers

Telecommunications

Telstra Approved Product Range



P1 Pit Cover
Product Code 521110



P1 & 3 Pit Cover
Product Code 521090



P2 Pit Cover
Product Code 521145



P3 Pit Cover
Product Code 521210



P4 Pit Cover
Product Code 521250



P5 Pit Cover
Product Code 521290



P6 Pit Cover
Product Code 521360



P7 Pit Cover
Product Code 521095



Type B Pit Cover
Product Code 521080



Type C Pit Cover
Product Code 521085

Standard logos ie: Comms/Elec are also available.
BVC I can provide special marking for specific requirements upon request.

Product Code	Product	Length	Width	Thickness	Weight	No. Per Pallet
521110	P1 Pit Cover	473mm	193mm	40mm	8kg	80
521090	P1 & 3 Pit Cover	498mm	270mm	50mm	17kg	40
521145	P2 Pit Cover	616mm	245mm	50mm	17kg	48
521210	P3 Pit Cover	730mm	298mm	50mm	26kg	40
521250	P4 Pit Cover	651mm	346mm	50mm	26kg	40
521290	P5 Pit Cover	648mm	398mm	50mm	30kg	40
521360	P6 Pit Cover	651mm	499mm	50mm	30kg*	30
521095	P7 Pit Cover	467mm	499mm	50mm	28kg	40
521080	Type B	535mm	135mm	40mm	6kg	60
521085	Type C	676mm	169mm	45mm	12kg	60

*P6 - 8 - 9 Telstra cover only at 30kg. All other covers in this size 38kg.

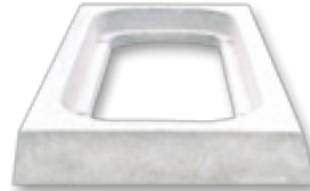
Concrete Collars

Telecommunications

Telstra Approved Product Range



P2 Collar
Product Code 523110



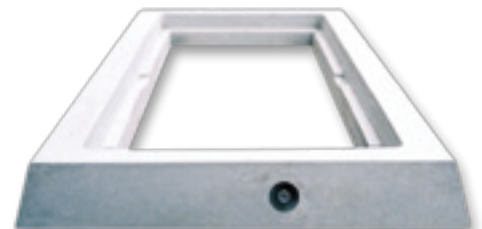
P3 Collar
Product Code 523120



P4 Collar
Product Code 523130



P5 Collar
Product Code 523140



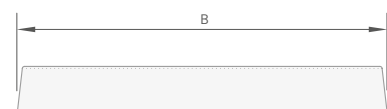
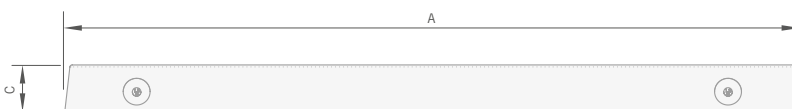
P6 Collar
Product Code 523150



Jointing Post Base
Product Code 521040



Pillar Base
Product Code 521030



Product Code	523110	523120	523130	523140	523150	521040	521030
Concrete Collar	P2	P3	P4	P5	P6/P8	Jointing Post Base	Pillar Base
A	740	850	765	770	1500	455	400
B	365	415	460	510	683	455	400
C	75	75	75	75	100	45	65

Cast Iron Pit Covers

Telecommunications

Telstra Approved Product Range



P1 Pit Cover
Product Code 32199150



P2 Pit Cover
Product Code 32199068L



P2 Pit Cover (locking)
Product Code 32199151



P3 Pit Cover
Product Code 32199069



P3 Pit Cover (locking)
Product Code 32199069L



P4 Pit Cover
Product Code 32199070L



P4 Pit Cover (locking)
Product Code 32199153



P5 Pit Cover
Product Code 32199198L



P5 Pit Cover (locking)
Product Code 32199179

Product Code	Product	Length	Width	Thickness	Weight	No. Per Pallet
32199150	P1 Pit Cover	473mm	193mm	40mm	10kg	10
32199068	P2 Pit Cover	615mm	244mm	46mm	16kg	10
32199151	P2 Pit Cover (locking)	615mm	244mm	46mm	16kg	10
32199069	P3 Pit Cover	729mm	297mm	50mm	20kg	10
32199069L	P3 Pit Cover (locking)	729mm	297mm	50mm	20kg	10
32199070	P4 Pit Cover	650mm	345mm	50mm	23kg	10
32199153	P4 Pit Cover (locking)	650mm	345mm	50mm	24kg	10
32199198	P5 Pit Cover	648mm	398mm	50mm	35kg	10
32199179	P5 Pit Cover (locking)	648mm	398mm	50mm	35kg	10

Please note: All Telstra Cast Iron Pit Covers are Class B Load Rated.

Cast Iron Pit Covers & Crossbars

Telecommunications

Telstra Approved Product Range



P6/8/9 Pit Cover
Product Code 32199071L



Pit 6/8/9 Pit Cover (locking)
Product Code 32199154



Conc. Replacement Cover
Product Code 32175067



Pit 7 Crossbar
Product Code 32199029



Pit 6/8/9 Pit Crossbar
Product Code 32199067

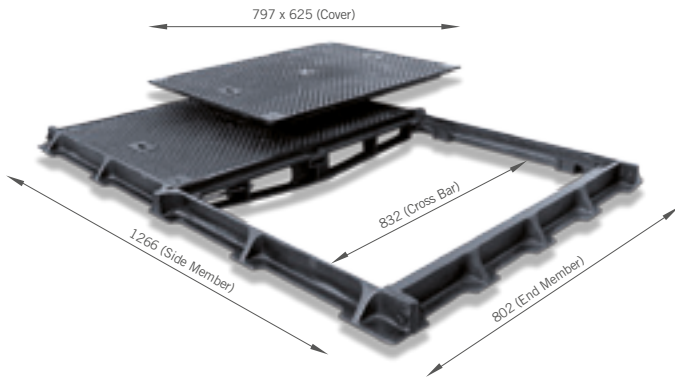
Product Code	Product	Length	Width	Thickness	Weight	No. Per Pallet
32199071	P6/8/9 Pit Cover	650mm	498mm	50mm	34kg	10
32199154	Type JC6/8/9 (locking)	650mm	498mm	50mm	37kg	10
32175067	Conc. Replacement Cover	792mm	620mm	15mm	47kg	10
32199029	Pit 7 Crossbar	500mm	29-76mm	60mm	4kg	100
32199067	Type JC6/8/9 Pit Crossbar	500mm	4-65mm	56mm	3kg	200

Please note: All Telstra Cast Iron Pit Covers are Class B Load Rated.

Cast Iron Multi-Part Assemblies

Telecommunications

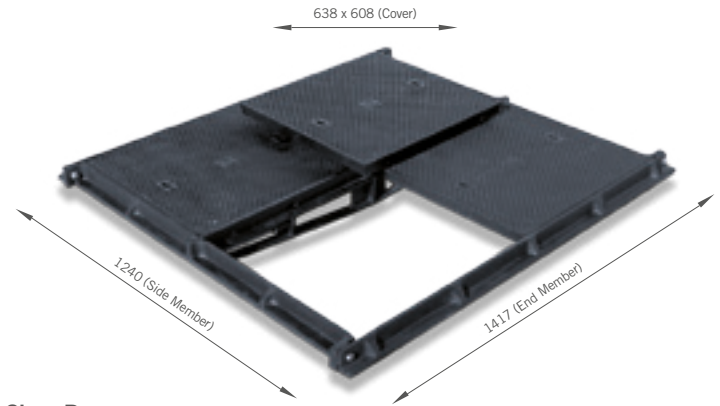
Telstra Approved Product Range



Class B
2 Part Cover Assembly
Product Code 32175099

Cover Product Code 32175021
Cross Bar Product Code 32175092

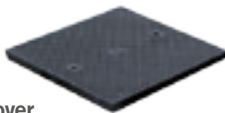
Available only in full assembled assembly



Class B
4 Part Cover Assembly
Product Code 32175133

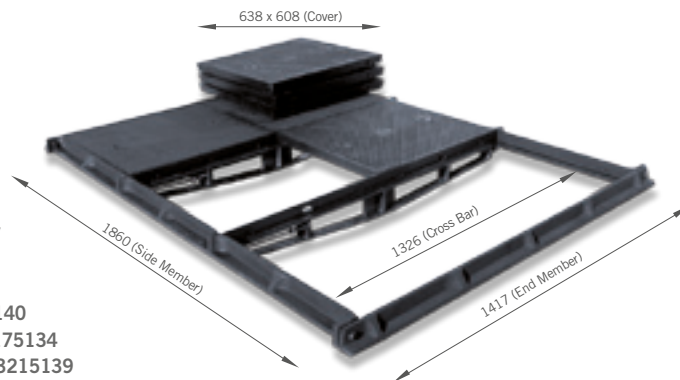
Cover Product Code 32175140
Cross Bar Product Code 32175134
End Member Product Code 3215139
Side Member Product Code 32175096

Class B
Cast iron Cover
Product Code 32175140



Product Code	Product	Length	Width
32175021 (32175124 Locking Cover)	Cast iron Cover (2 part cover assembly)	797mm	625mm
32175140	Cast iron Cover (4 or 6 part cover assembly)	638mm	608mm

Individual assembly sections available for 4 part and 6 part product including side members, end members, cross bars and covers.



Class B
6 Part Cover Assembly
Product Code 32175600

Cover Product Code 32175140
Cross Bar Product Code 32175134
End Member Product Code 3215139
Side Member Product Code 32175092

Product Code	Product	Length	Width	Thickness	Weight	No. Per Pallet
32175099	2 Part Cover Assembly	758mm	1200mm	15mm	155kg	5
32175133	4 Part Cover Assembly	1216mm	1272mm	45mm	250kg	1
32175600	6 Part Cover Assembly	1216mm	1810mm	45mm	275kg	1

Recessed Cover Assemblies

Telecommunications

P5 Recessed Cover Assemblies

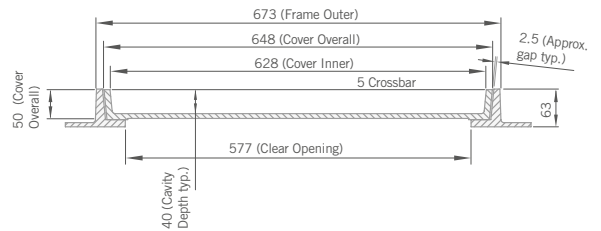
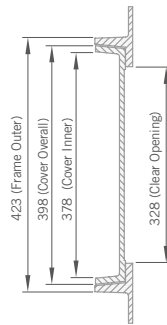
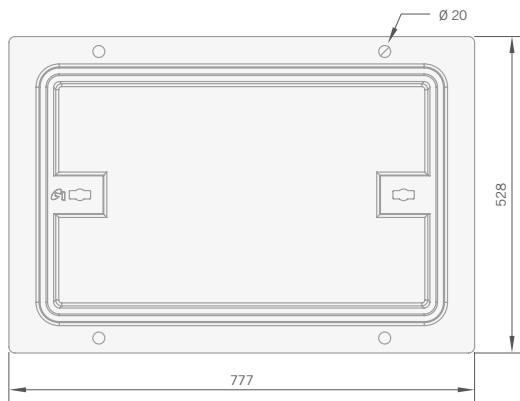
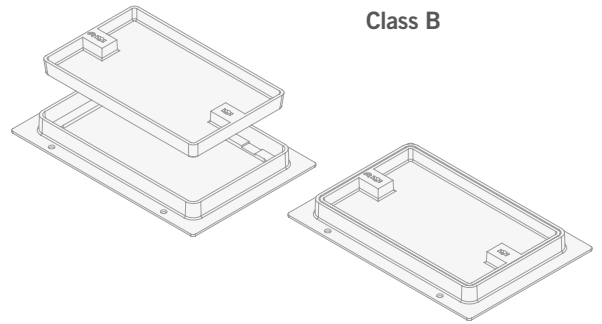
With Frame Product Code 3219WT5

Telstra Approved Product

Class B



Weight: 70kg

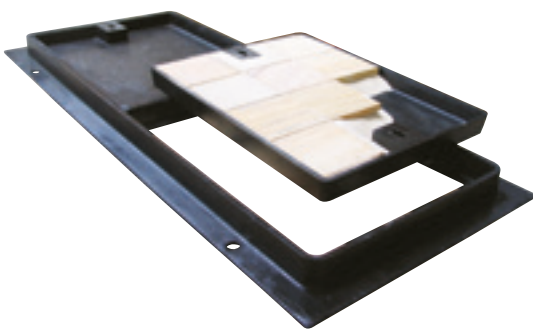


P6/8 Recessed Cover Assemblies

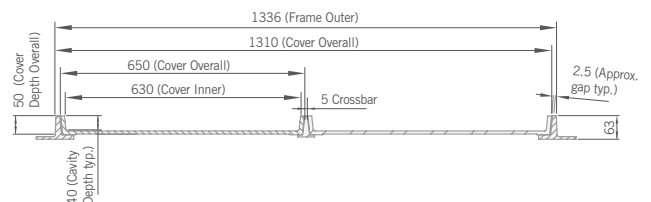
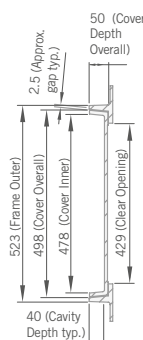
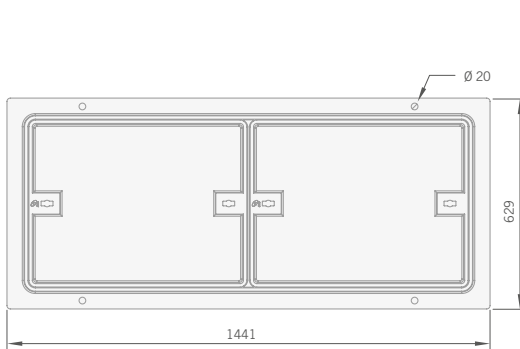
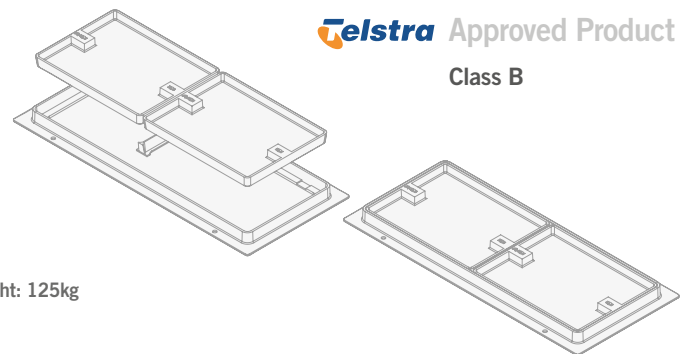
With Frame Product Code 3219WT6

Telstra Approved Product

Class B



Weight: 125kg



Concrete Cable Pits

Telecommunications



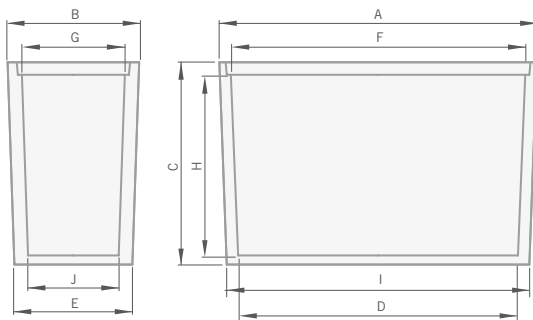
J8 Pit
Product Code 524160
 Approved Pit



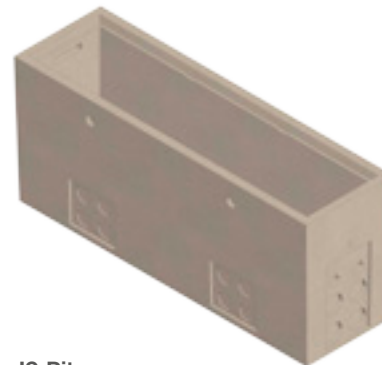
Universal 8 Slotted Pit (No floor)
Product Code 524140S



Universal 8 Pit
Product Code 524140



A x B x C x D x E - Overall Dimensions
F x G x H x I x J - Clear Opening Size



J9 Pit
Product Code 524190
 Approved Pit

Product Code	524160	524140	524190
Dimensions	J8	Universal 8	*J9
A	1439	1395	2075
B	619	580	605
C	948	900	900
D	1250	1330	2040
E	443	520	575
F	1269	1269	1925
G	479	459	460
H	849	800	800
I	1149	1210	1890
J	339	400	428

Please note: Gaskets are available for this range of concrete pits.

Concrete Manholes

Telecommunications

Manhole PF4N

Product Code 522100

Telstra Approved Product



Description and application

Underground concrete manhole

2600 x 1240 x 1490 High Outside

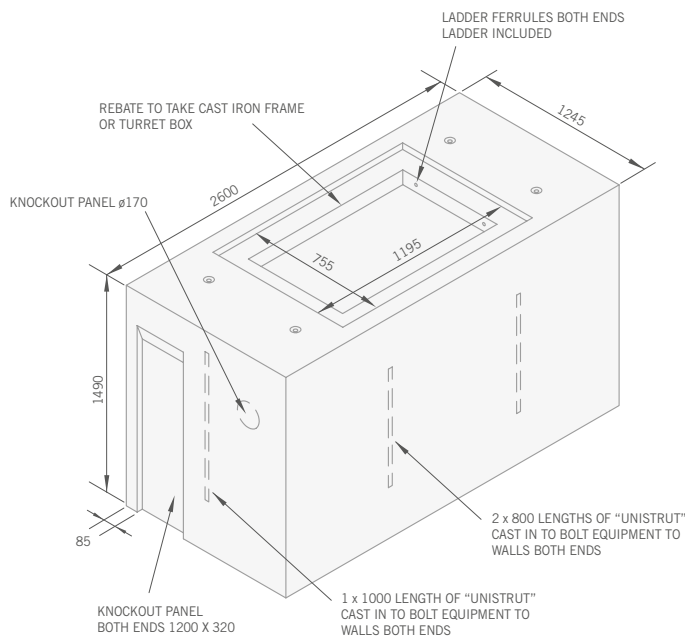
2460 x 1100 x 1325 High Inside

Serial/item no. S75/54

Weight: 3330kg

1. Rebate cast in top ready for 75/18 cast iron frame or alternative separate precast turret.
2. Ladder fixing ferrules at both ends of opening, 530 apart.

PF4N available with or without turret and or floor.



Manhole PF4TF

Product Code 522130

Telstra Approved Product



Description and application

Underground concrete manhole

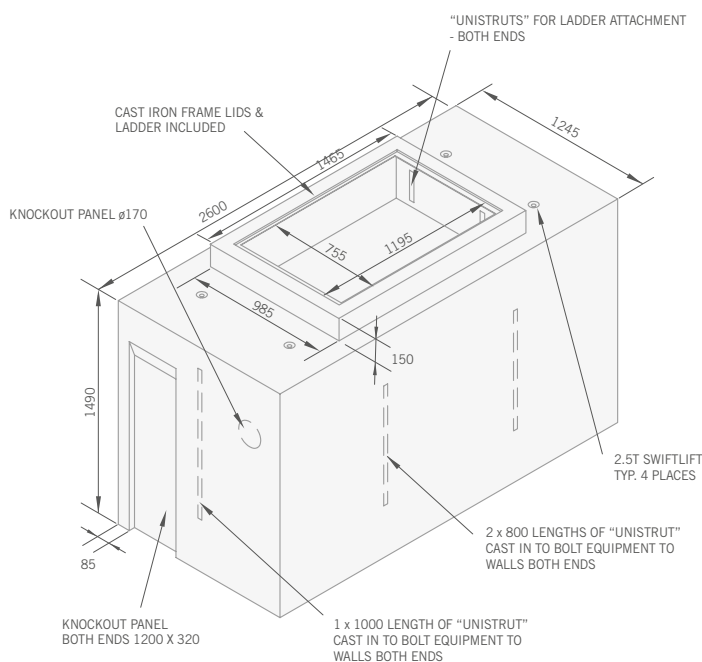
Serial/item no. S75/71

Weight: 4250kg

This manhole is the same as type PF4N, but has a floor, turret and lids.

This product is suitable where a slim surround is shown at footpath level

Please note: overall height including turret is 1640mm.



THIS UNIT IS SUITABLE WHERE A SLIM SURROUND IS SHOWN AT FOOTPATH LEVEL

Concrete Manholes

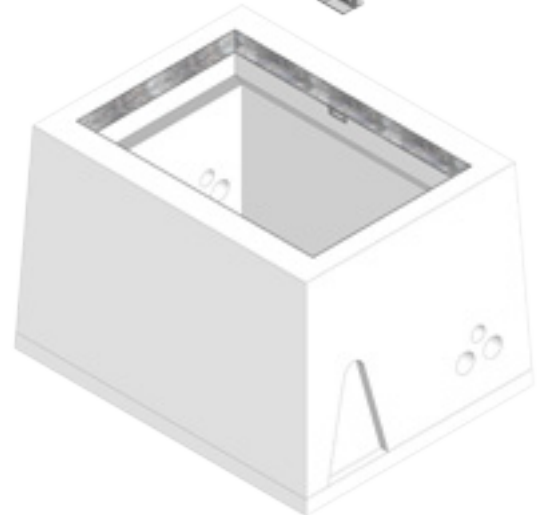
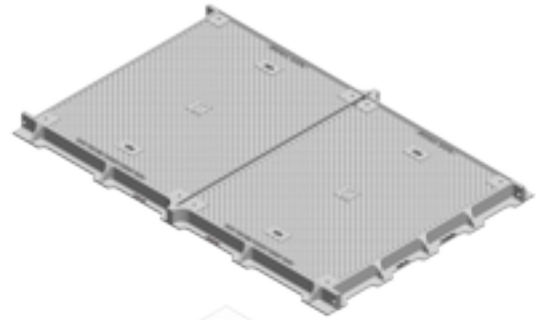
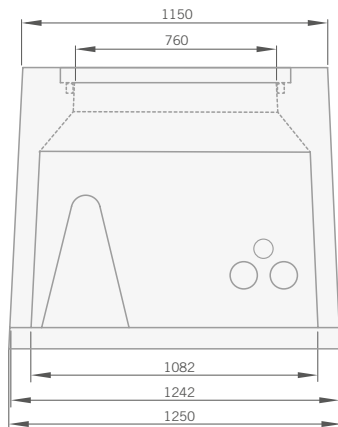
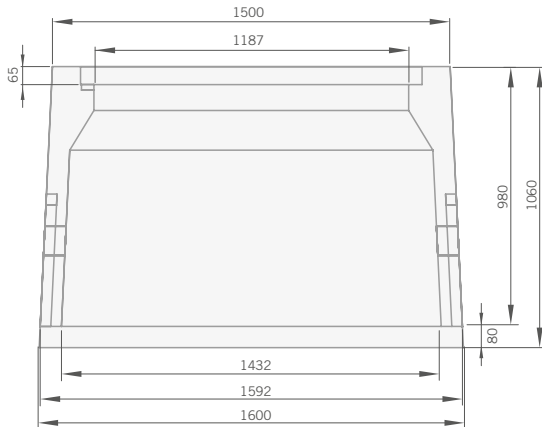
Telecommunications

Manhole Type A

Product Code 522370

Telstra Approved Product

Class B



Weight: 1750kg

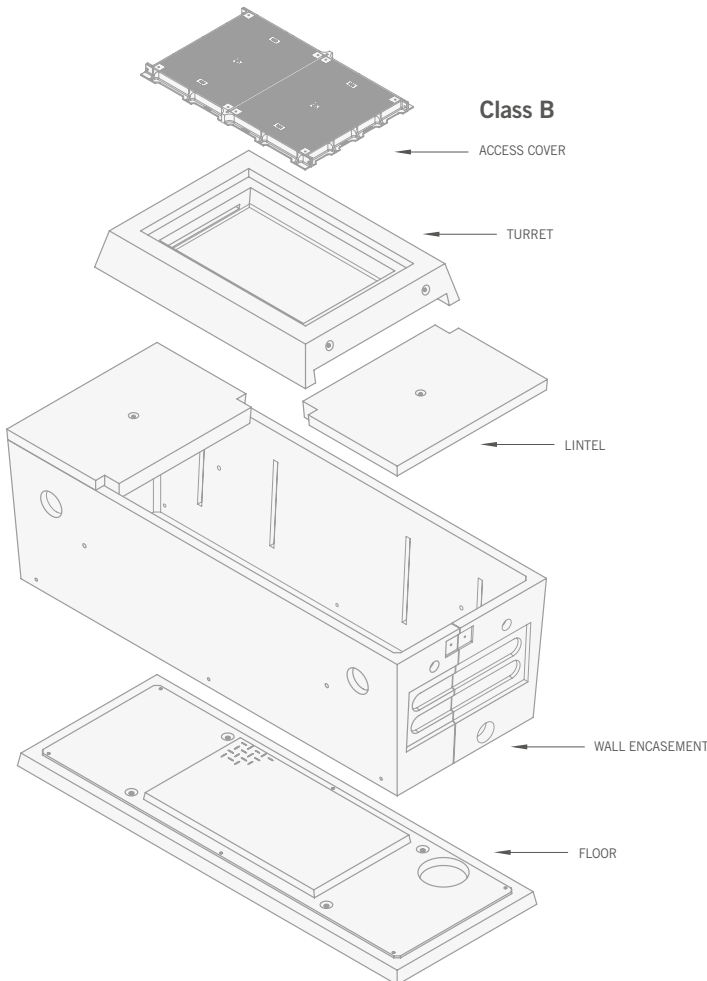
Concrete Manholes

Telecommunications

Manhole Type B Split Pit

Product Code 522372

Approved Product



Description and application

Underground concrete manhole

Serial/item no. S75/116

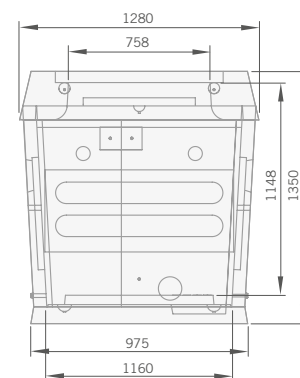
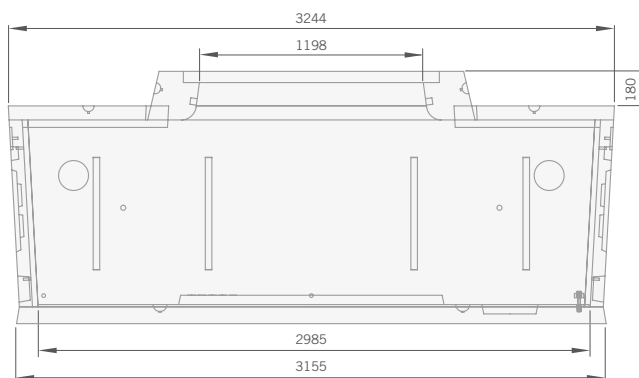
Weight: 4000kg

3244 x 1280 x 1350 Outside Dimension

2985 x 990 x 948 Inside Dimension

Standard turret: 180mm

Other heights made to order.



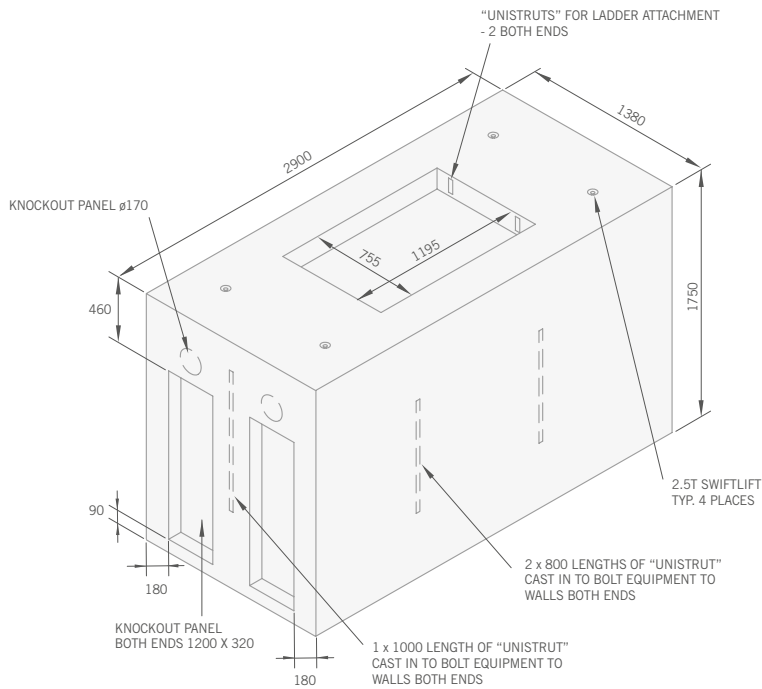
Concrete Manholes

Telecommunications

Manhole PF12

(2900 x 1380) Product Code 522150

Telstra Approved Product



Description and application

Underground concrete manhole

Serial/item no. S75/56

Weight: 4600kg

2900 x 1380 x 1750 High Outside

2710 x 1190 x 1600 High Inside

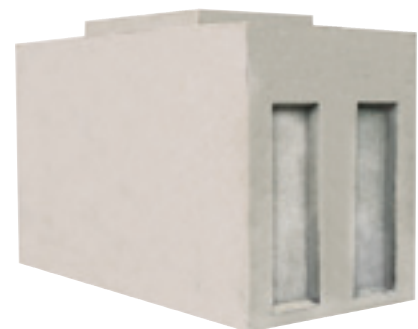
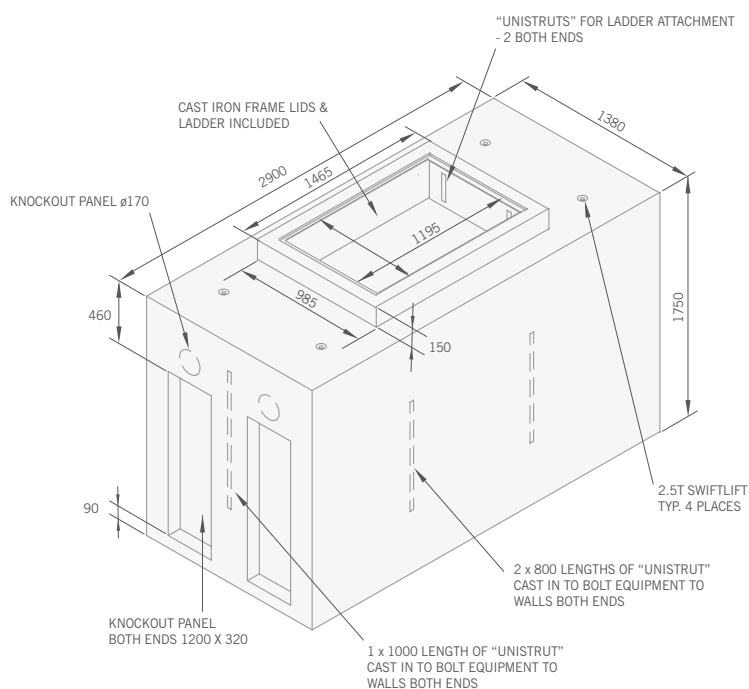
Standard turret: 150mm

Other heights made to order.

Manhole PF12TF

(2900 x 1380) Product Code 522180

Telstra Approved Product



Description and application

Underground concrete manhole

Serial/item no. S75/56

Weight: 5400kg

This manhole is the same as type PF12, but has a turret.

Please note: overall height including turret is 1900mm.

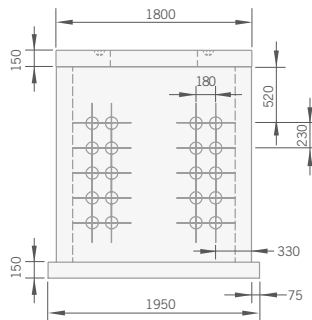
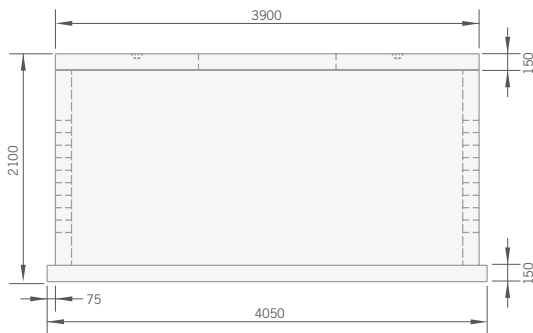
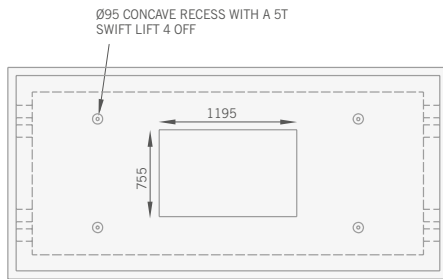
Concrete Manholes

Telecommunications

Manhole PF20 Precast

Product Code 522190

Telstra Approved Product



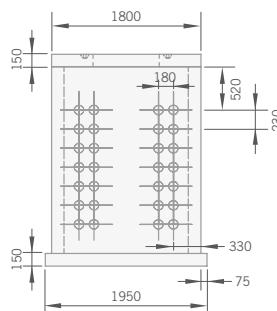
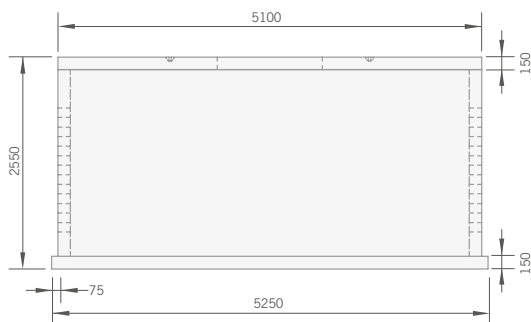
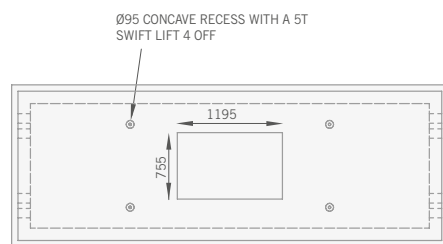
Weight: 12.5 tonnes

Please note: 1490 x 1025 turrets available with standard 150mm heights.

Manhole PF28 Precast

Product Code 522230

Telstra Approved Product



Weight: 14.5 tonnes

Please note: 1490 x 1025 turrets available with standard 150mm heights.

Please note: PF20 and PF28 manufactured to order only.

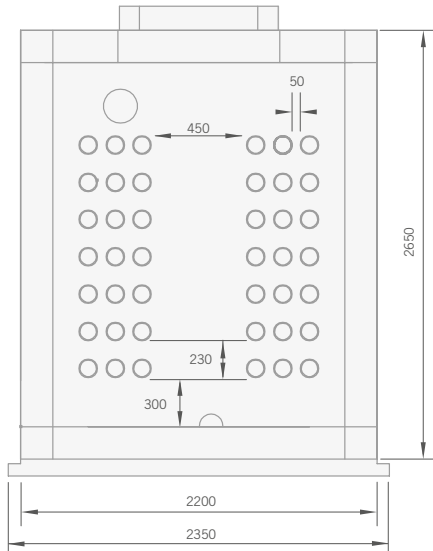
Concrete Manholes

Telecommunications

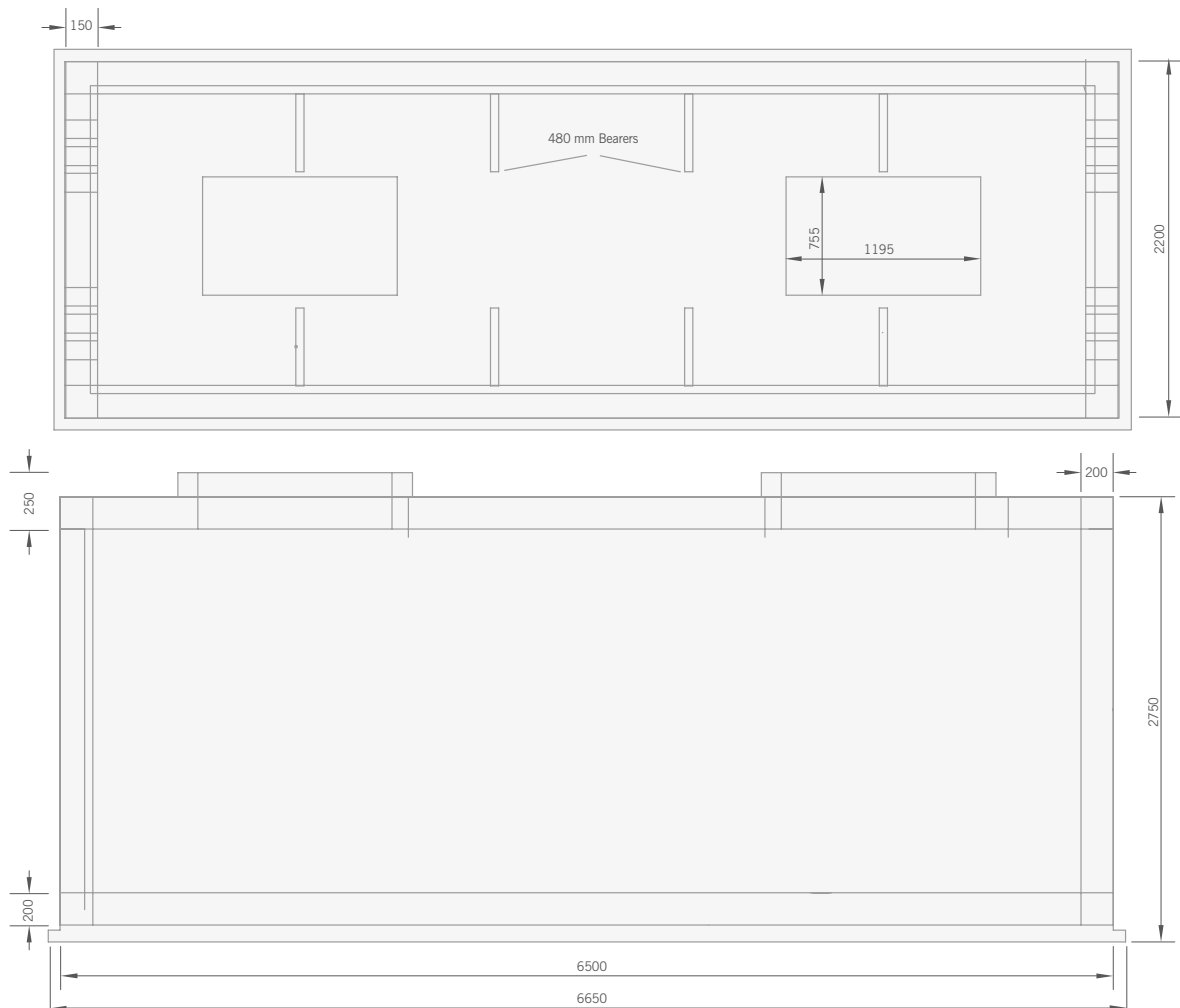
Manhole PF42

Product Code 522265

Telstra Approved Product



Please note: 1490 x 1025 turrets available with standard 150mm heights.



Please note: Manufactured to order only.